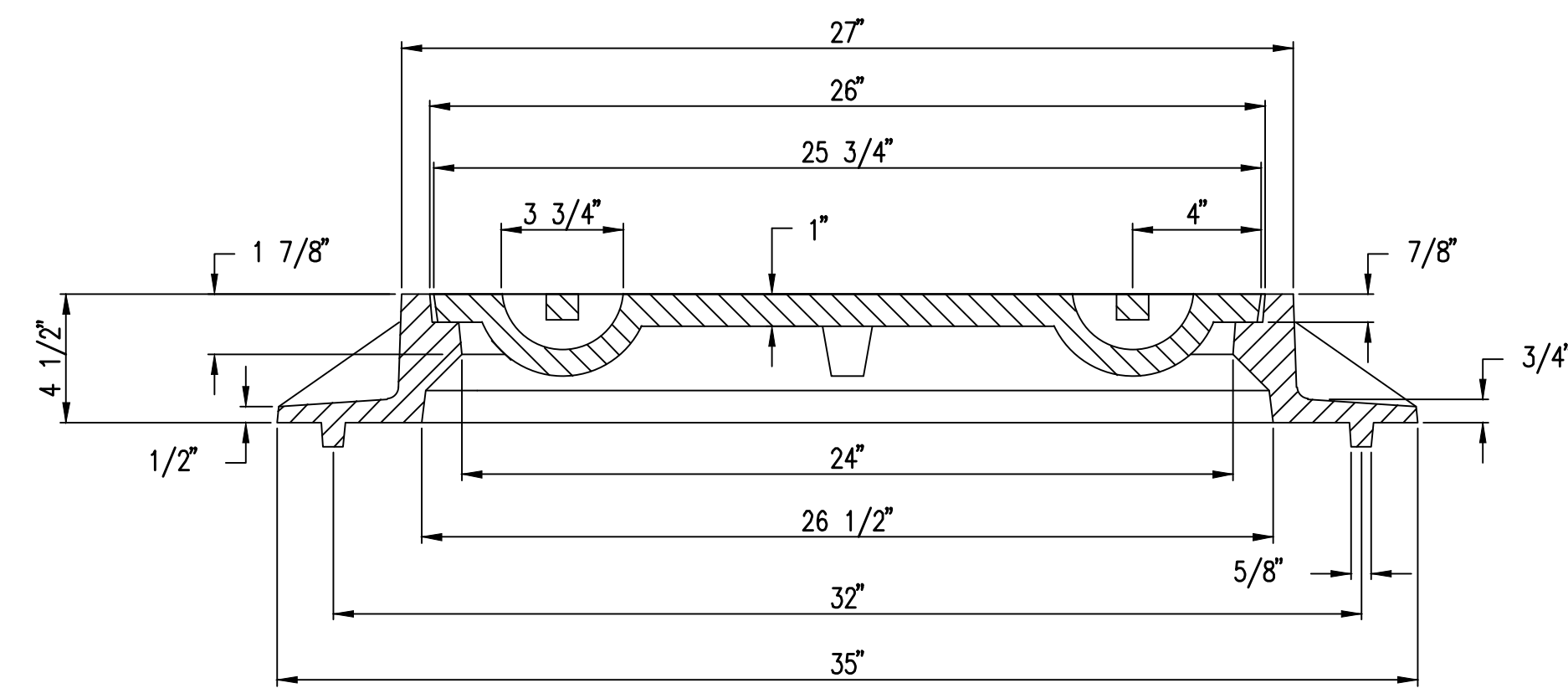
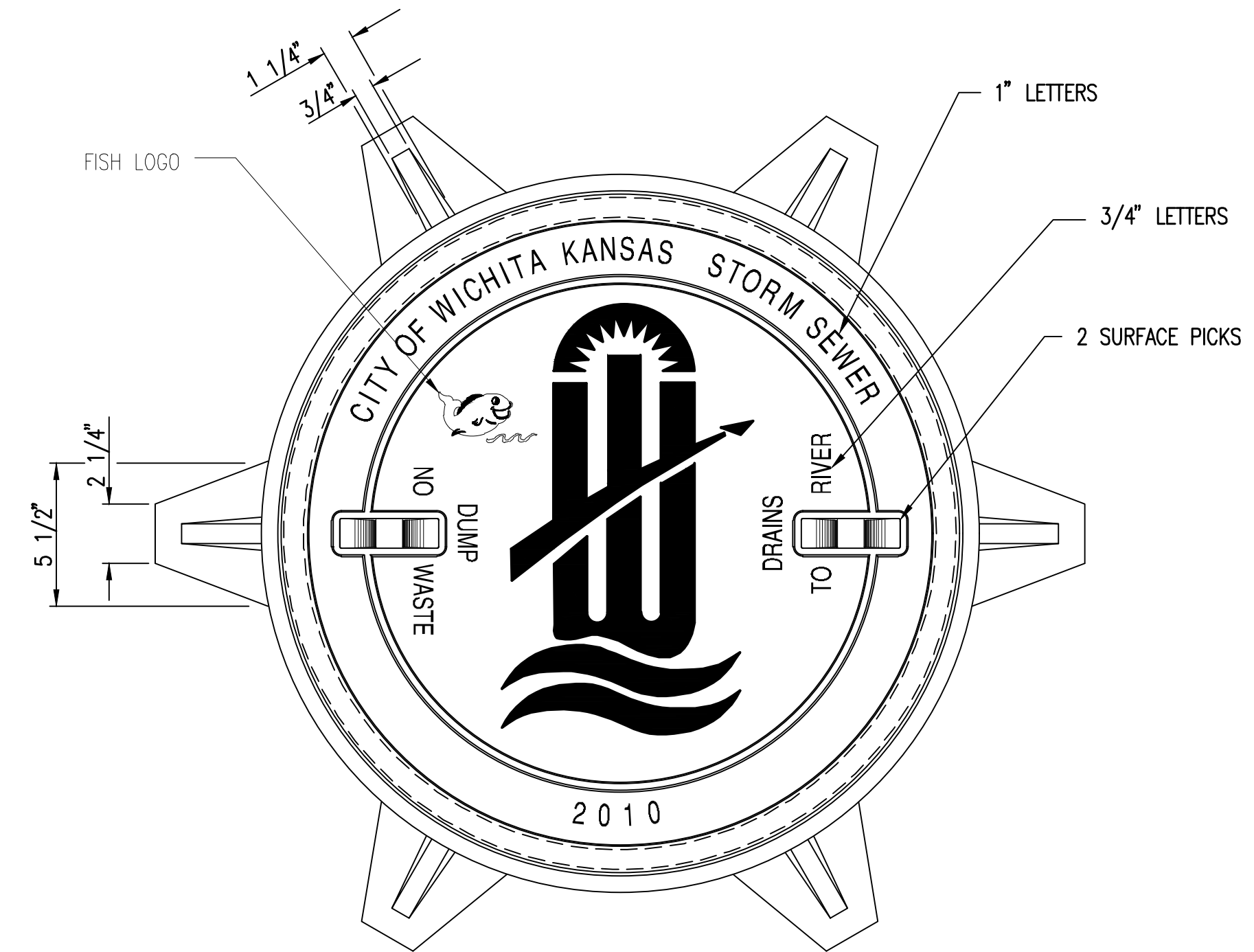


MANHOLE FRAME
DEETER #1261 OR EJIW #1936-Z1

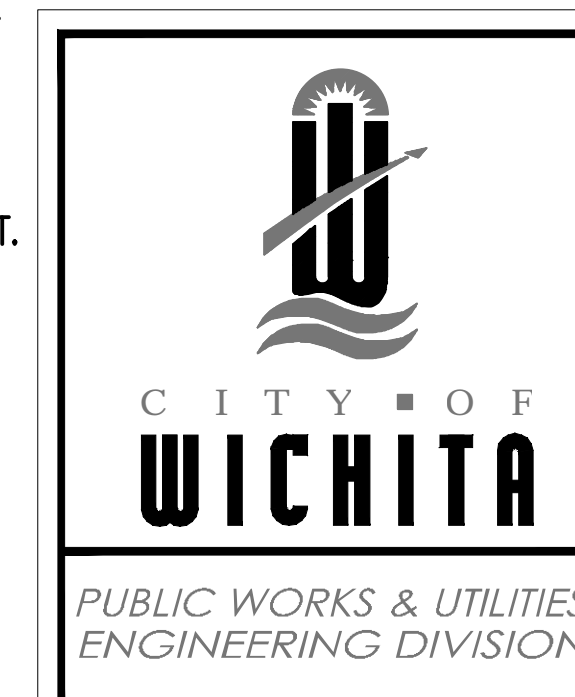
- NOTE:
1. FURNISHED WITH MACHINED HORIZONTAL BEARING SURFACE.
 2. COVER TO BE DEETER #1261 OR EJIW #1936A.



INLET FRAME
DEETER #2014 OR EJIW #1936-Z4

- NOTE:
1. FURNISHED WITH MACHINED HORIZONTAL BEARING SURFACES.
 2. NOT TO BE USED UNDER PAVEMENT.
 3. COVER TO BE DEETER #1261 OR EJIW #1936A.

Created: 08-09-2018 1:05:18 PM by: BJS
 Plot Date: 11-09-2018 10:06:57 AM by: BILL SEXSON
 U:\Wichita-Civil\2018\187042\001\Mult-Trans\Drawings\187042-001-13C-INLET AND FRAME COVER DETAILS



MANHOLE/INLET FRAME AND COVER (STORM SEWER)		
CITY ENGINEER GARY JANZEN, P.E.		
PROJECT NUMBER 472-85454	OCA NUMBER 795043	DATE 11/2010
CITY ENGINEER'S OFFICE CITY HALL - SEVENTH FLOOR 455 NORTH MAIN STREET WICHITA, KANSAS 67202-1620 (316) 268-4501		SHEET 13 of 19