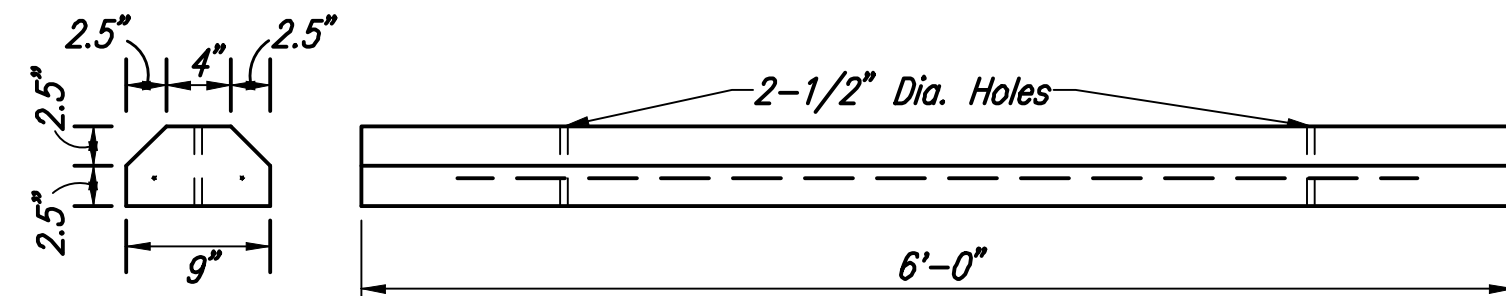
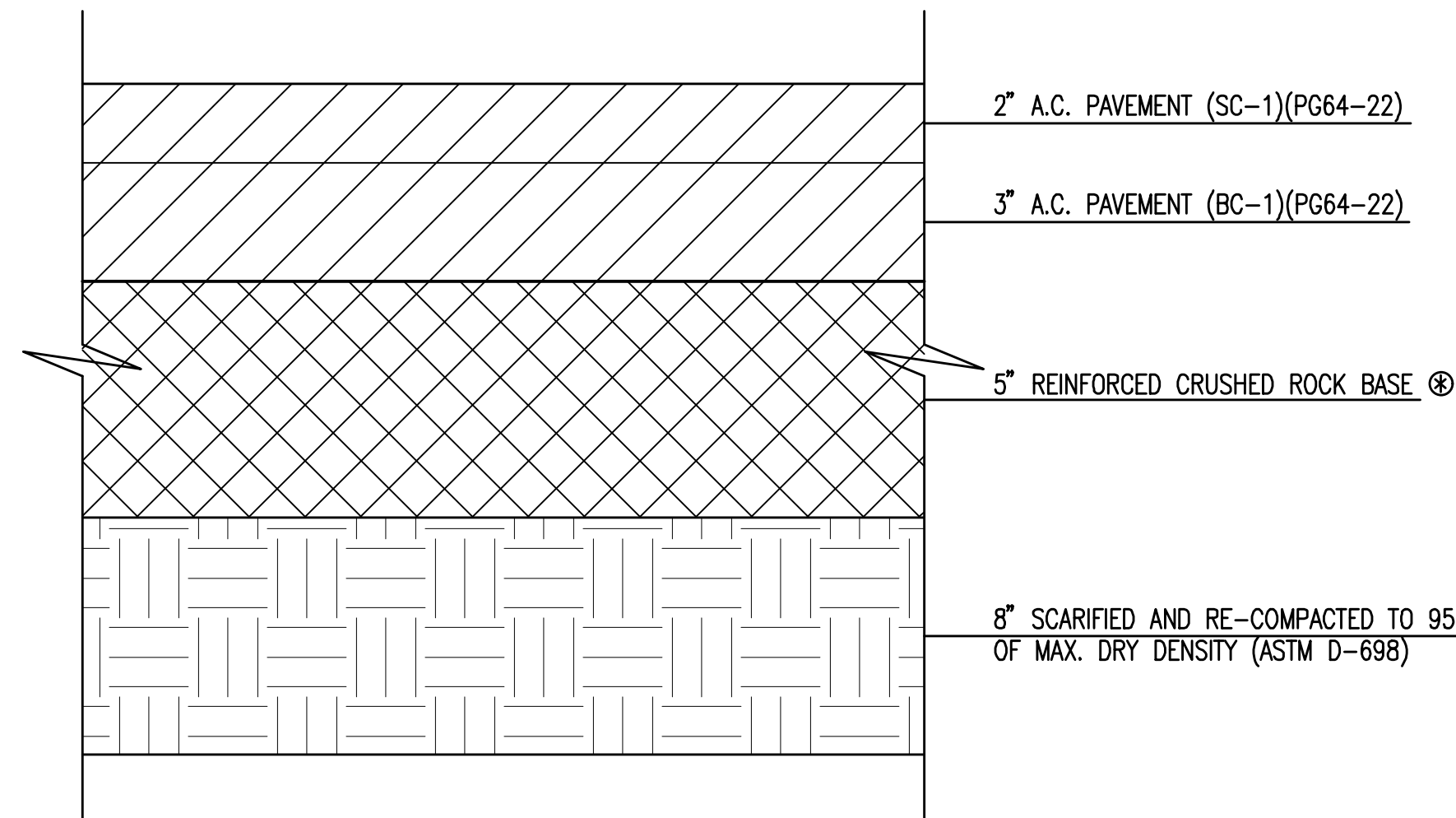


Concrete Wheelstop shall consist of the following material:
 Mix: 6 1/2 Sack Cement
 27% rock, 4000psi
 Reinf: 2pcs @ 1/2" Dia.
 x5'-0"
 Wt: Approx. 175lbs.
 Anchors: 2 pcs. @ #4x3'-0"

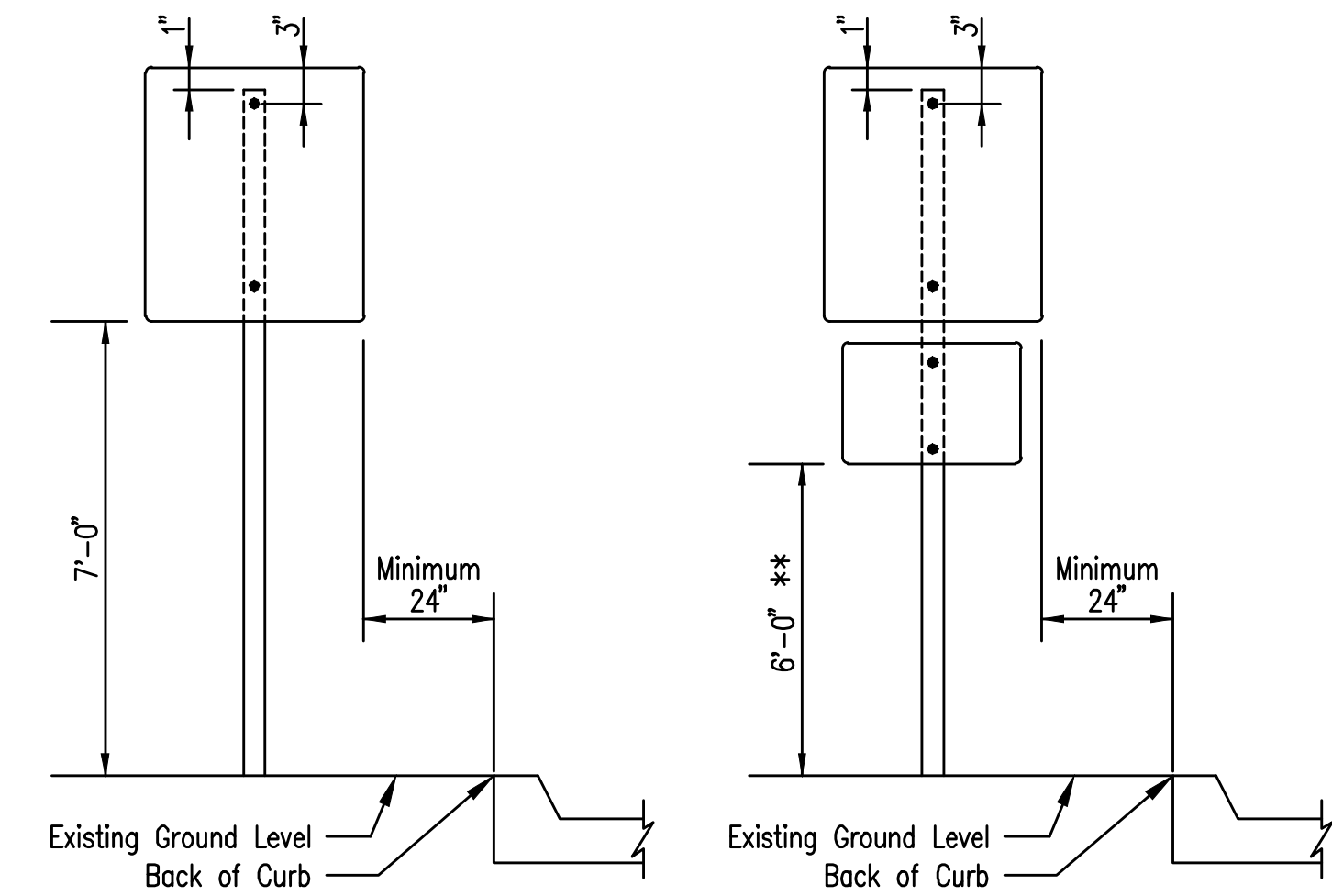


CONCRETE WHEELSTOP DETAIL



TYPICAL 5" ASPHALT PAVEMENT SECTION
 (LIGHT LOAD)

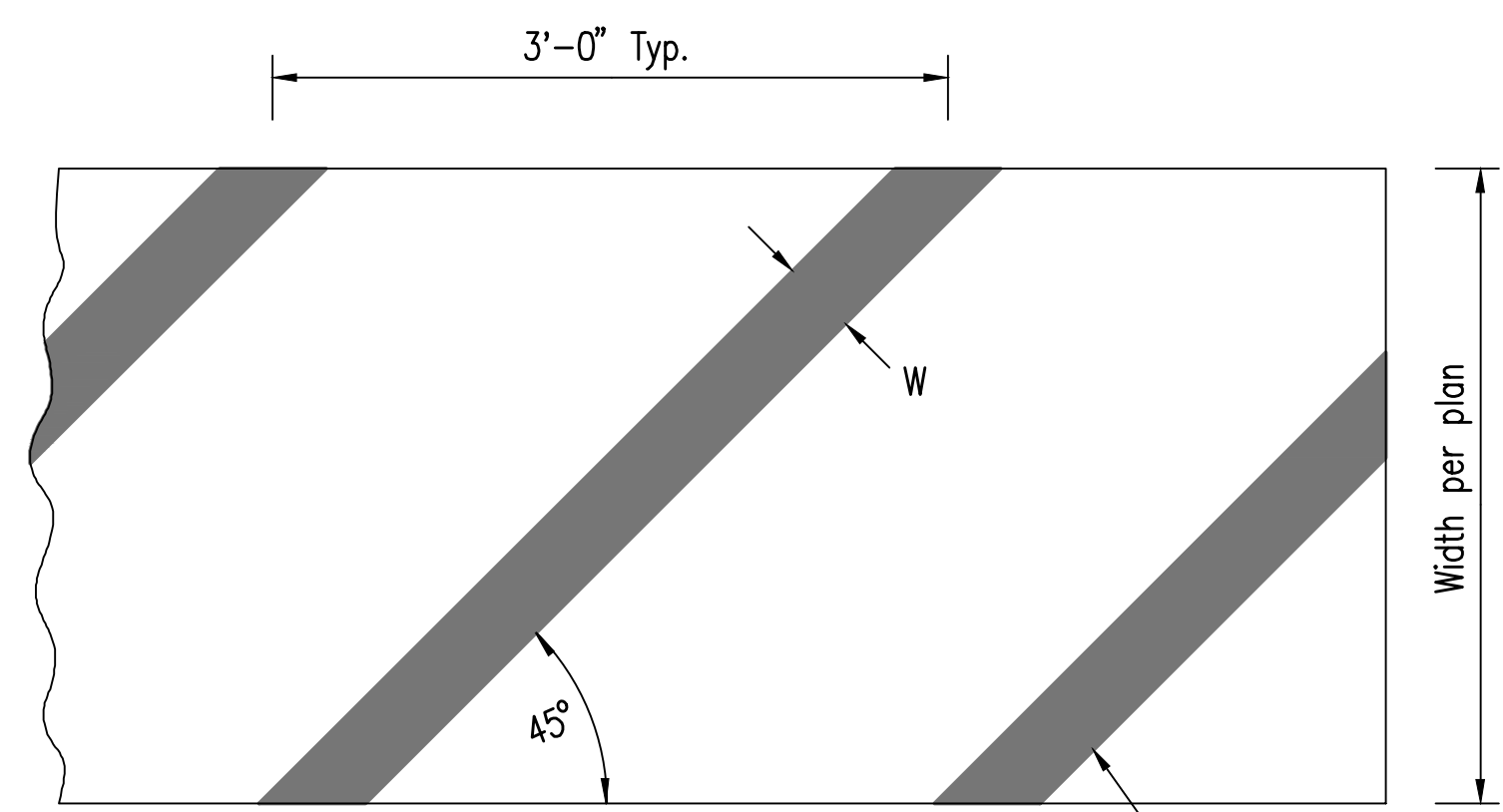
Ⓢ EXTEND 5" REINFORCED CRUSHED ROCK BASE 1' BEHIND PROPOSED CURB AND GUTTER.



TYPICAL MOUNTING FOR PRIMARY SIGNS

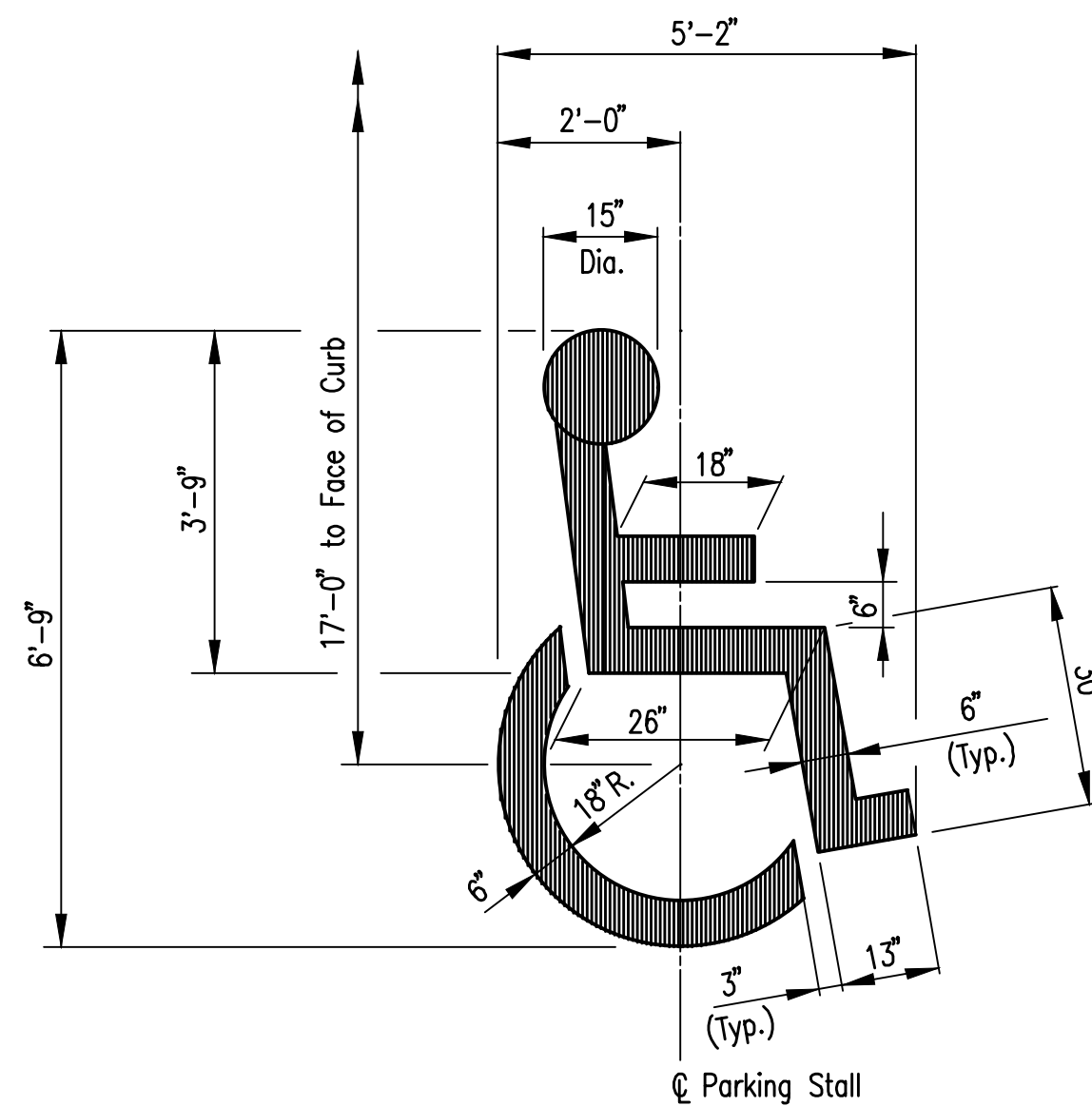
TYPICAL MOUNTING FOR PRIMARY & SECONDARY SIGNS

** Note: The height to the bottom of a secondary sign mounted below another sign when it is located in a pedestrian walkway, or extends more than 4" into a pedestrian walkway, shall be a minimum of 6'-8" (80") in compliance with the Americans with Disability Act (ADA).



STRIPING CROSS HATCH

W = 4", Parking Areas
 Yellow or White Color, Verify w/ Owner.



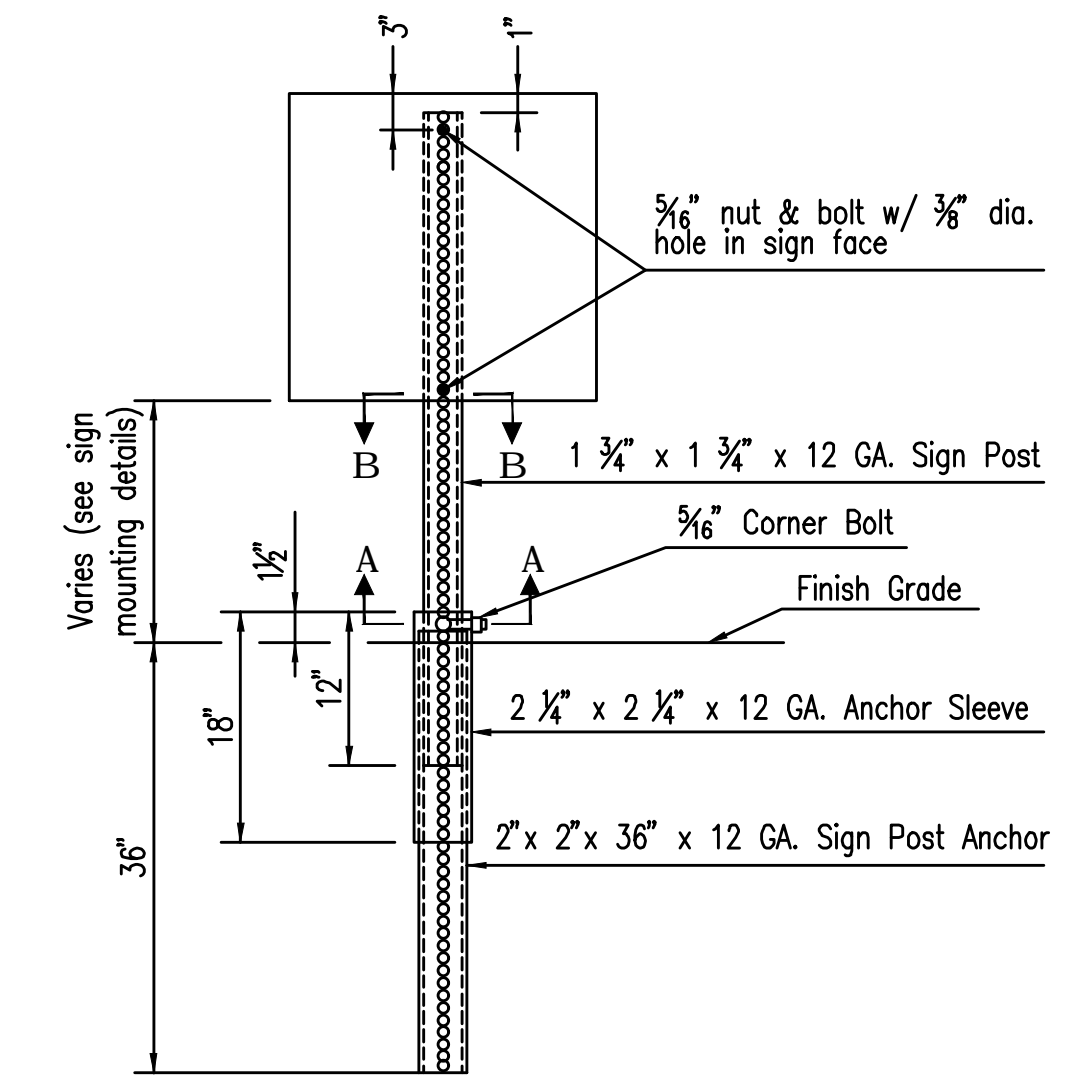
HANDICAP SYMBOL

5 REQUIRED

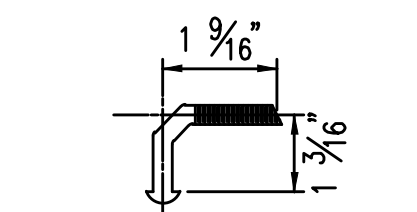


R7-8 (12"x18")
 HANDICAP PARKING SIGN

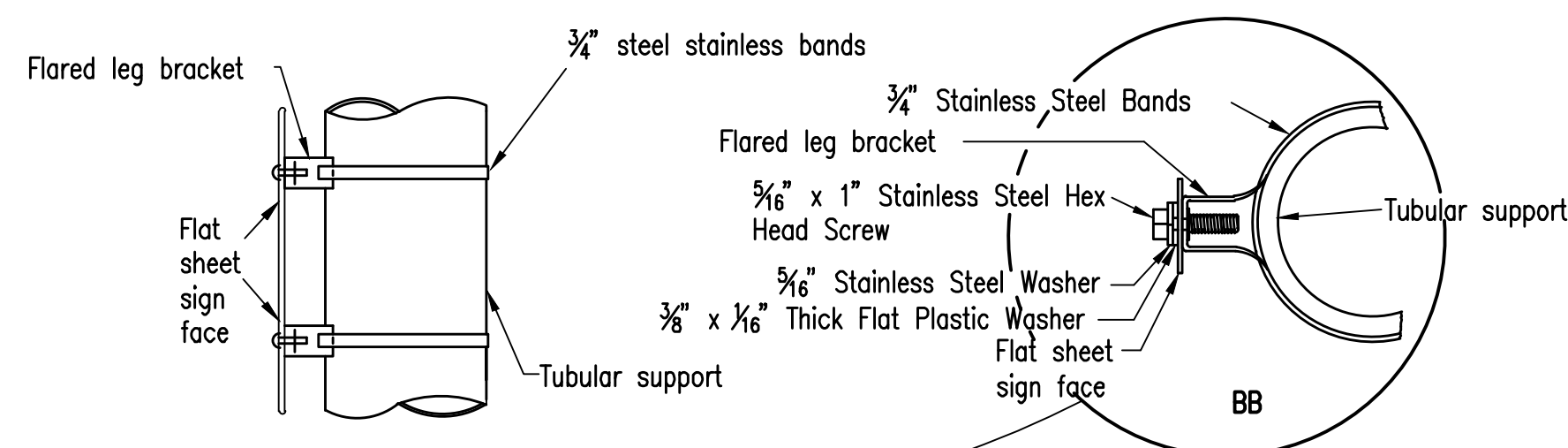
SIGN INSTALLATION DETAIL



BREAK-AWAY SIGN POST DETAIL



3/16" CORNER BOLT DETAIL



SIDE OF POLE SIGN MOUNTING DETAILS

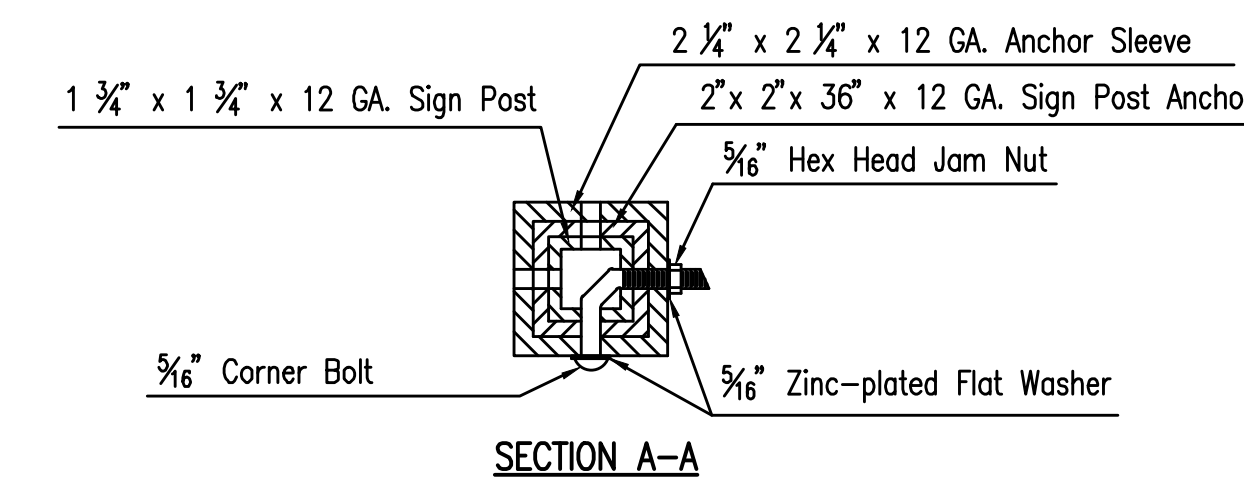
BREAK-AWAY SIGN POST INSTALLATION SEQUENCE

1. Sign post anchor driven partially into subgrade using a drive cap with sledge or power equipment.
2. Anchor sleeve slipped over anchor and driven into subgrade together with the sign post anchor.
3. Insert sign post into the post anchor and bolt in place.

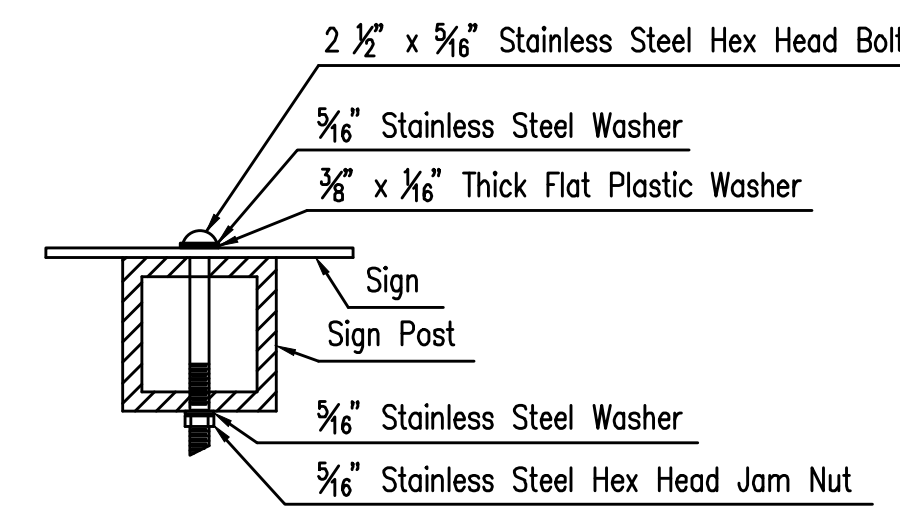
Note: The first hole above the finished grade level in all three units must be in line for insertion of the corner bolt.

SIGNING GENERAL NOTES

1. Holes in the signs for attachment to the sign post shall be offset a minimum of 2" from the edge of the sign.
2. Holes in the signs shall be located such that the sign is level.
3. Sign material thickness shall be 0.125" thick aluminum for signs larger than 30" x 30". Signs 30" x 30" and smaller shall be 0.080" thick.
4. The maximum sign area for one post is 9.0 sq. ft. A sign or combination of signs with greater than 9.0 sq. ft. will require two posts. Signs with a width greater than 36" will require two posts.
5. Sign posts must meet a certified minimum yield strength of 60,000 psi.
6. Sign posts shall be powder-coated in BLACK color.



SECTION A-A



SECTION B-B

Scaled 09-14-2018 9:15:21 AM by BJS
 Plot Scale 1:1 09-14-2018 10:08:13 AM by BJS
 U:\Wichita-Civil\2018\187042\001\Main-Trans\Drawings\187042-001-08C-MISCELLANEOUS DETAILS

		No. _____ Revision _____ By _____ Date _____	
HARRISON PARK PARKING LOT IMPROVEMENTS MISCELLANEOUS DETAILS GARY JANZEN, P.E.—CITY ENGINEER CITY OF WICHITA PROJECT NO. 472-85454			
		PROFESSIONAL ENGINEERING CONSULTANTS, P.A. 303 SOUTH TOPEKA WICHITA, KS 67202 316-262-2891 www.pec1.com	
Designed by BMM Drawn by BJS	Job No. 31-187042-001 Date September 2018	Sht. 08 of 19	