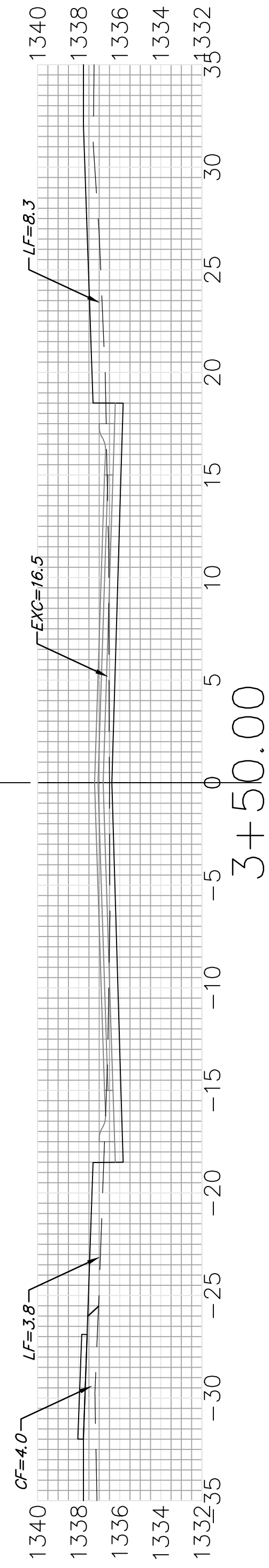
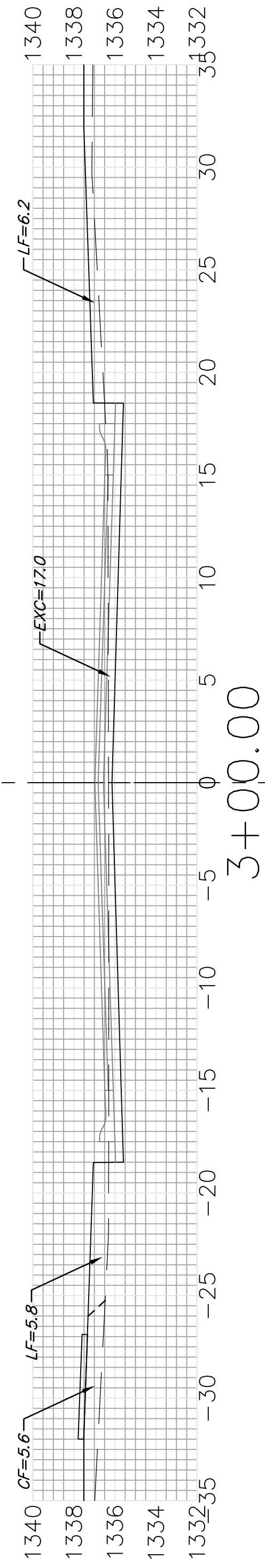


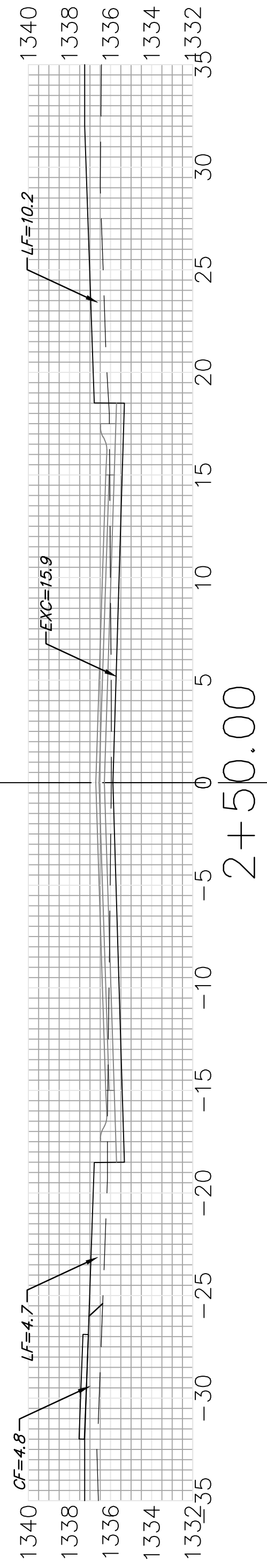
EXC = 30.6
LF = 21.1
CF = 5.6



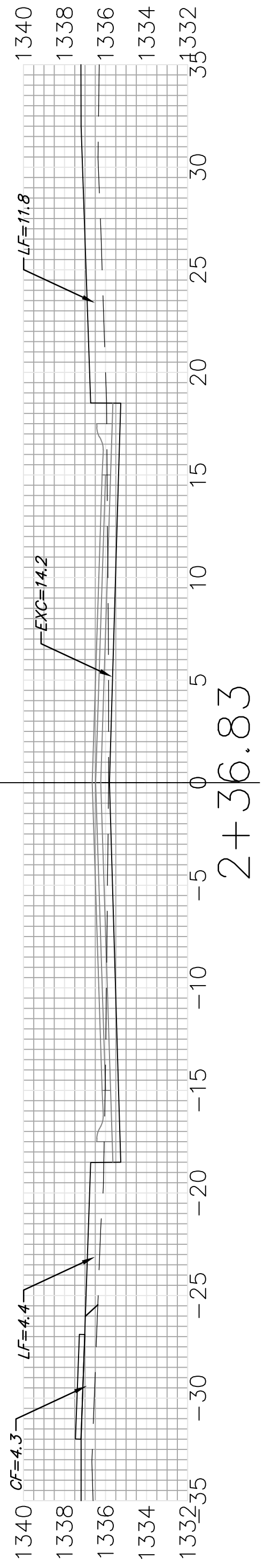
EXC = 31.0
LF = 22.3
CF = 8.9



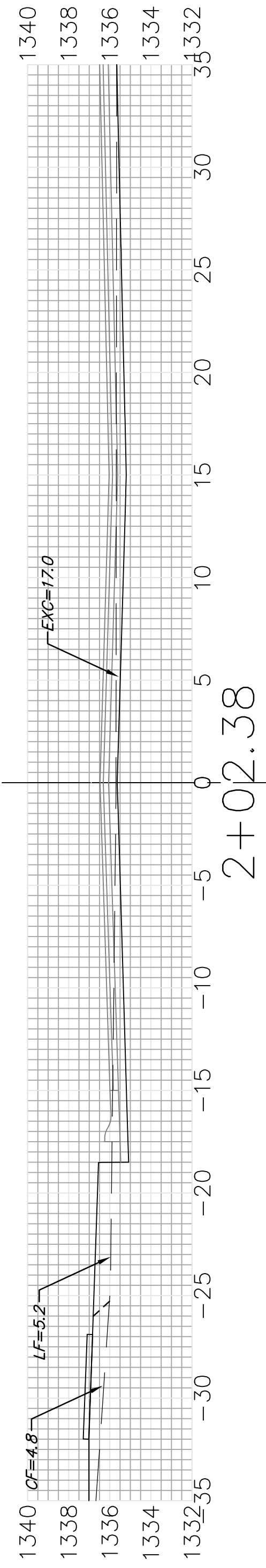
EXC = 30.5
LF = 24.9
CF = 9.6



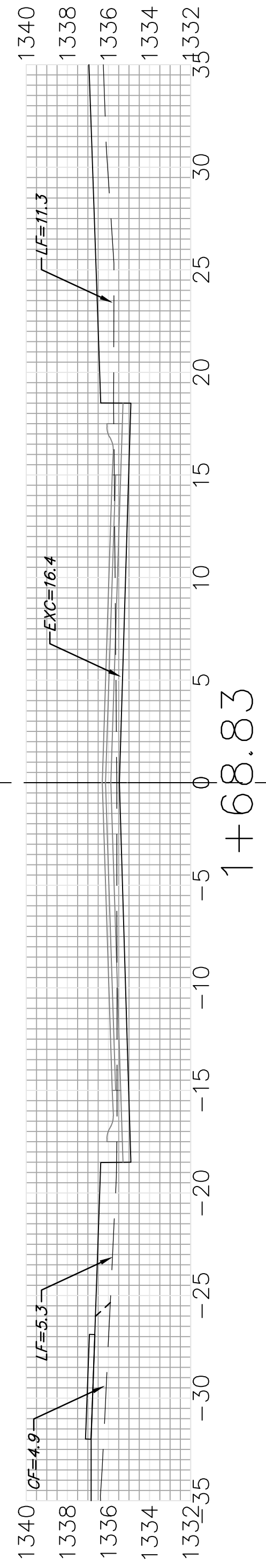
EXC = 7.3
LF = 7.6
CF = 2.2



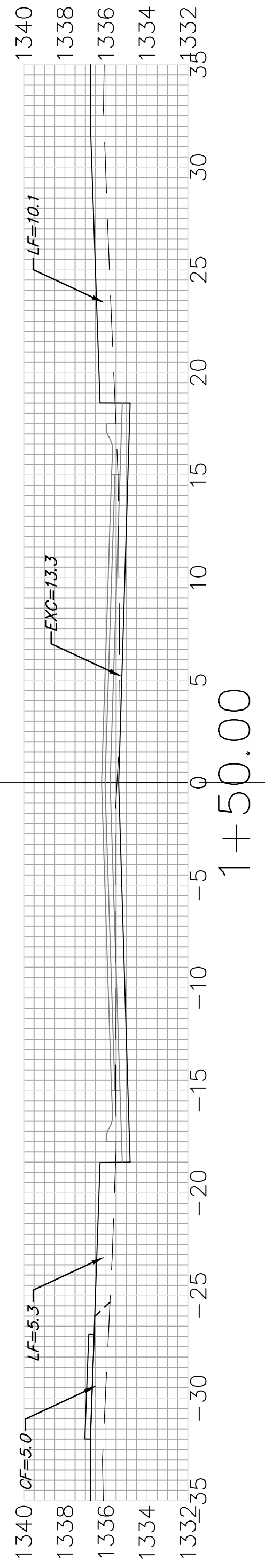
EXC = 19.9
LF = 13.7
CF = 5.8



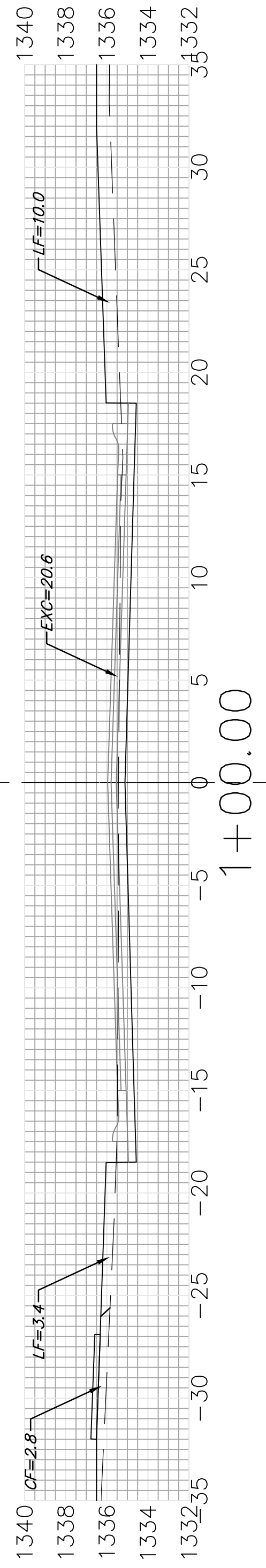
EXC = 20.8
LF = 13.5
CF = 6.0



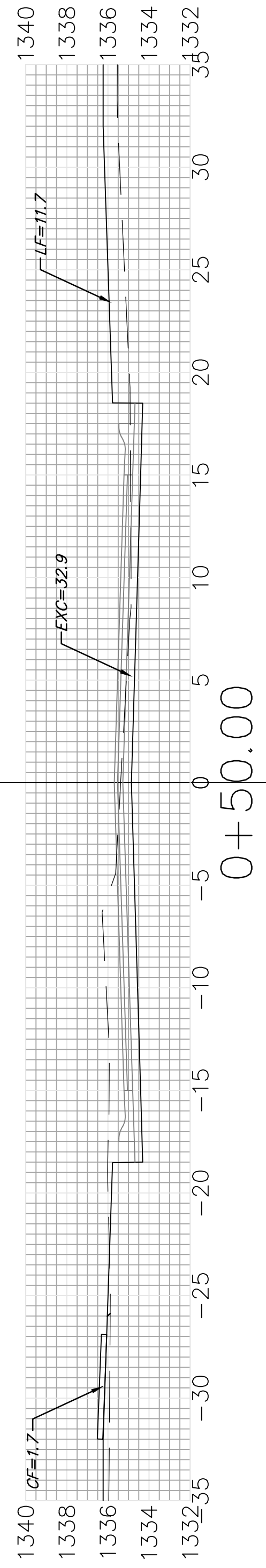
EXC = 10.4
LF = 11.2
CF = 3.5



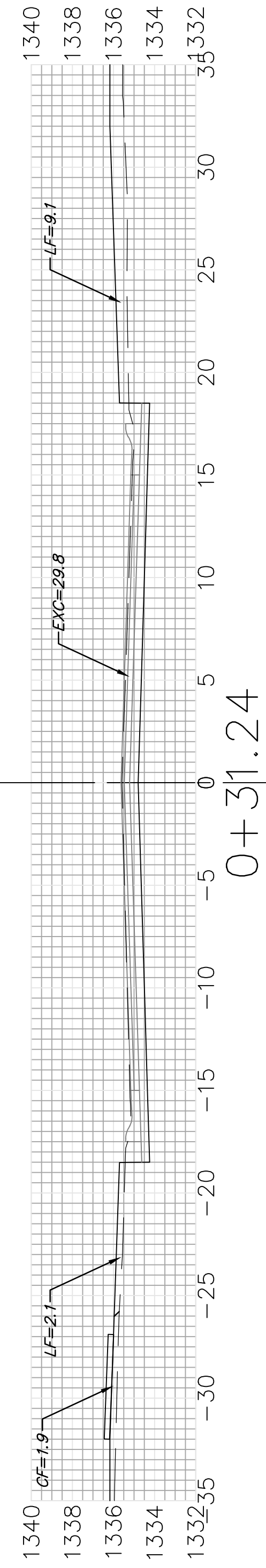
EXC = 31.4
LF = 26.7
CF = 7.2



EXC = 49.5
LF = 23.2
CF = 4.2



EXC = 21.8
LF = 8.0
CF = 1.3



Sheet Totals
Excavation = 253.2 C.Y.
Loose Fill = 172.2 C.Y.
Compacted Fill = 54.3 C.Y.



KOLLMAYER
C