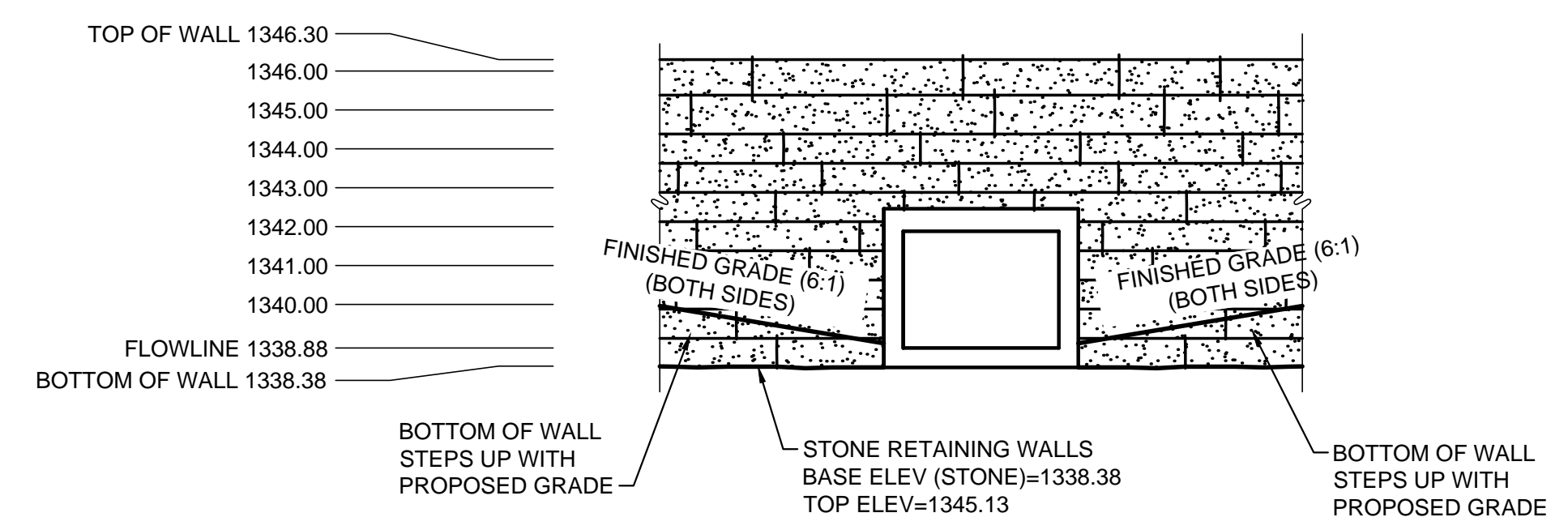


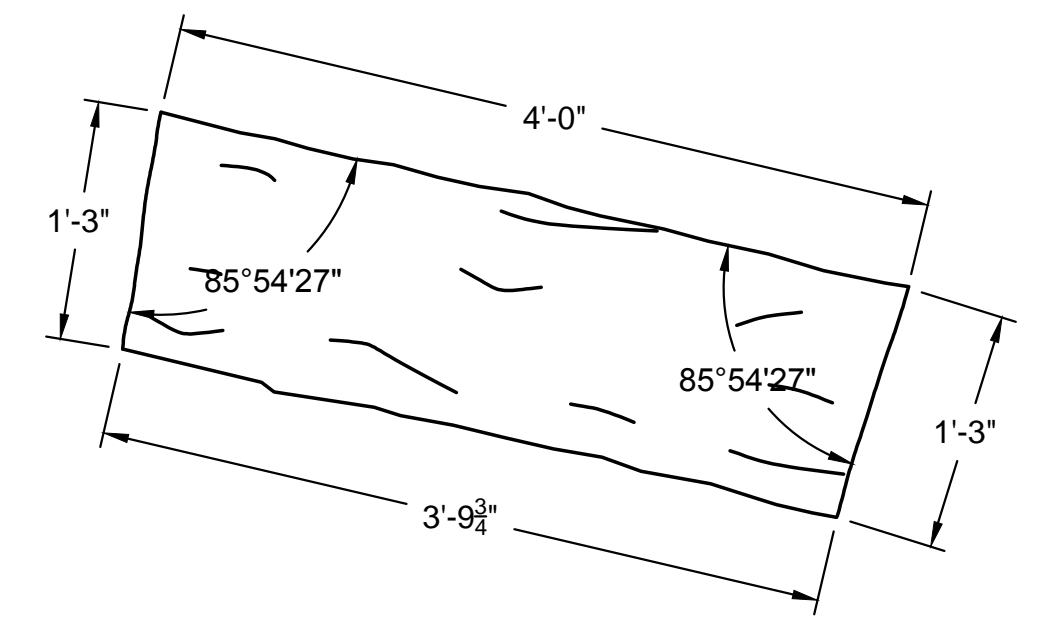
PLOT123: Wednesday, October 24, 2018 @ 09:22AM

J:\PROJECTS\2018\1601010221 - PERFECTION, AUBURN LAKES - 16221 CAD\SH1505 CIVIL\SWSPART B\16221-06-4206-PTB.DWG

STORM WATER DRAIN PLANS FOR
AUBURN LAKES ADDITION
PART B



1 HEADWALL ELEVATION
1/4" = 1'-0"



2 FINISHED CAP STONE
NOT TO SCALE

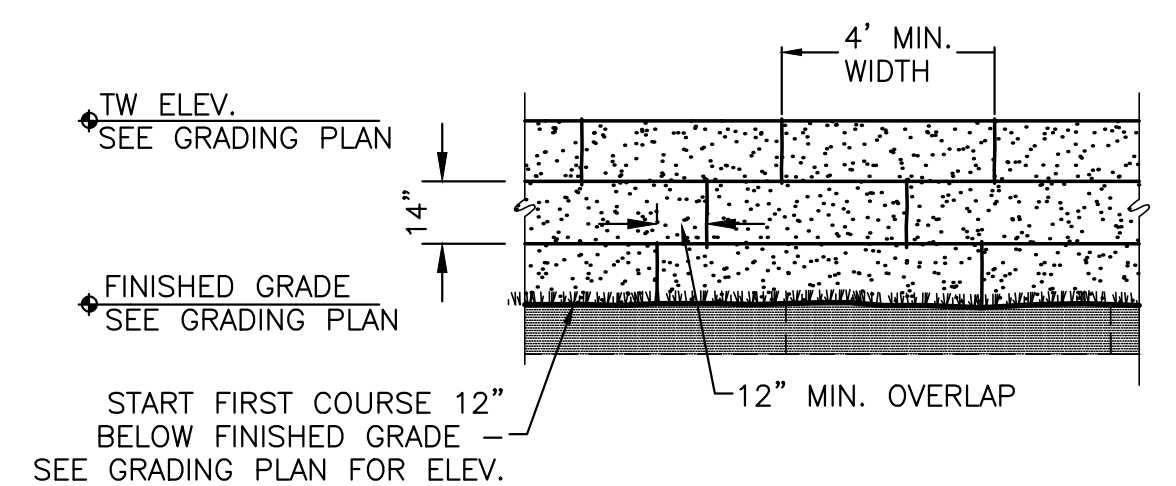
GENERAL NOTES:

- 1. DRY STACK QUARRY BLOCK STONE**
SUPPLIER - U.S. STONE INDUSTRIES
CONTACT: HELEN PAULY
120 N. 6TH ST.
ST. MARYS, KANSAS 66536
1-800-255-9399
www.usstoneindustries.com

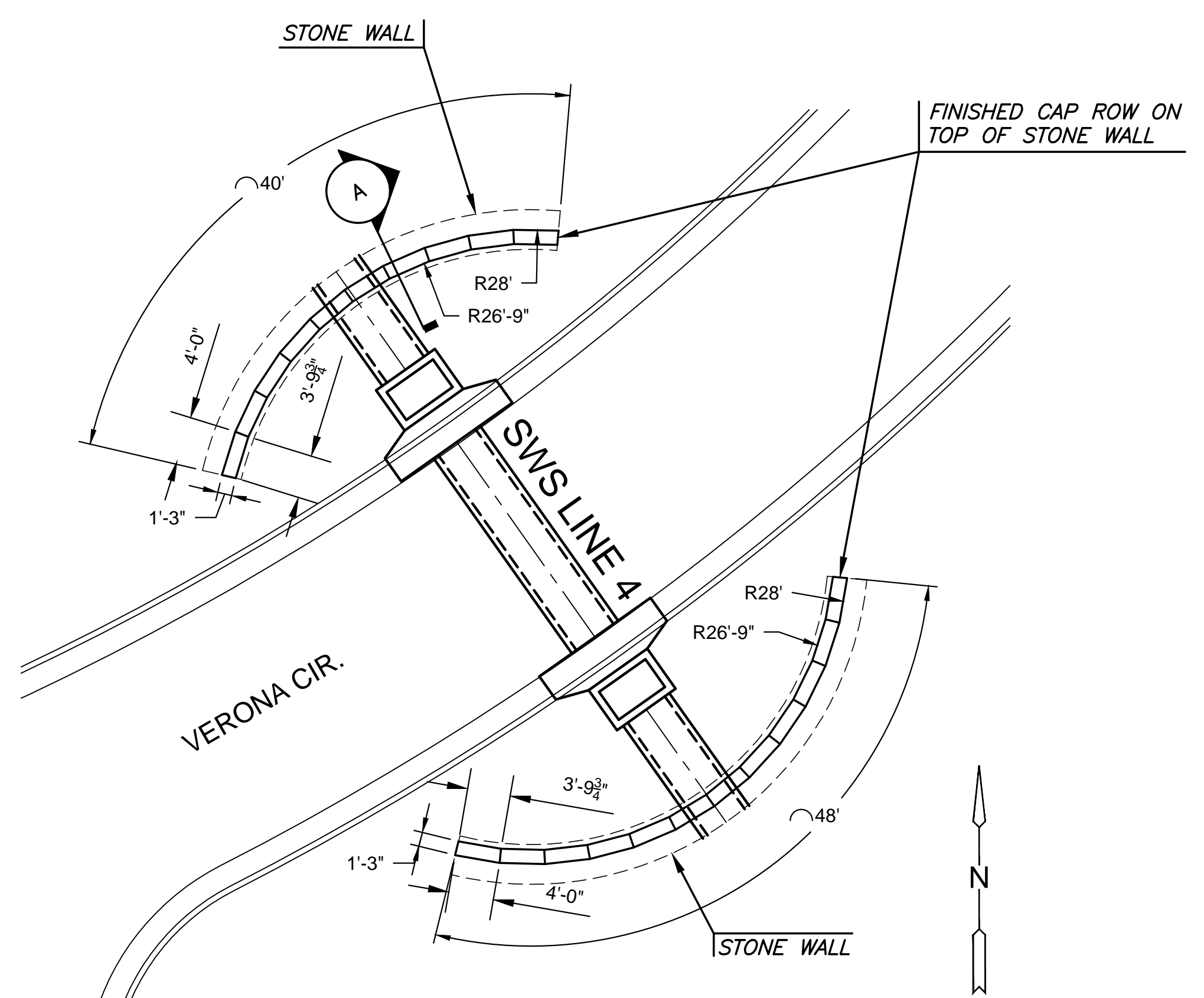
OR
SUPPLIER- RIVERVIEW STONE, LLC
901 E OLD 56 HWY
OLATHE, KS 66061
913-375-1414
www.riverviewstone.net

- STONE** - MATCH EXISTING STONE WALL COMPLETED DURING PART "A" PROJECT.

14" TOP LEDGE COTTONWOOD
AVG. LENGTH - 4' TO 6'
MIN. COMP. STRENGTH - 8,000 PSI
- 2. PLACEMENT**
- MINIMUM STONE OVERLAP IN WALL COURSE SHALL BE 12"
- WALL GAP BETWEEN VERTICAL JOINTS SHALL BE NO MORE THAN 1" MAX., WHERE NECESSARY FILL MATERIAL (SMALL ROCK) SHALL BE USED TO FILL GAP. THESE AREAS SHALL BE KEPT TO A MINIMUM. FIELD VERIFY w/ OWNER'S REPRESENTATIVE PRIOR TO FINAL ACCEPTANCE.
 - 3. SURFACE FINISH**
EXPOSED WALL SURFACE SHALL HAVE A DRESSED STONE FINISH. FACES SHALL BE ABSENT EVIDENCE OF DRILL SPLIT MARKS. A MOCKUP WALL SECTION WILL BE REQUIRED PRIOR TO COMMENCEMENT OF WORK.

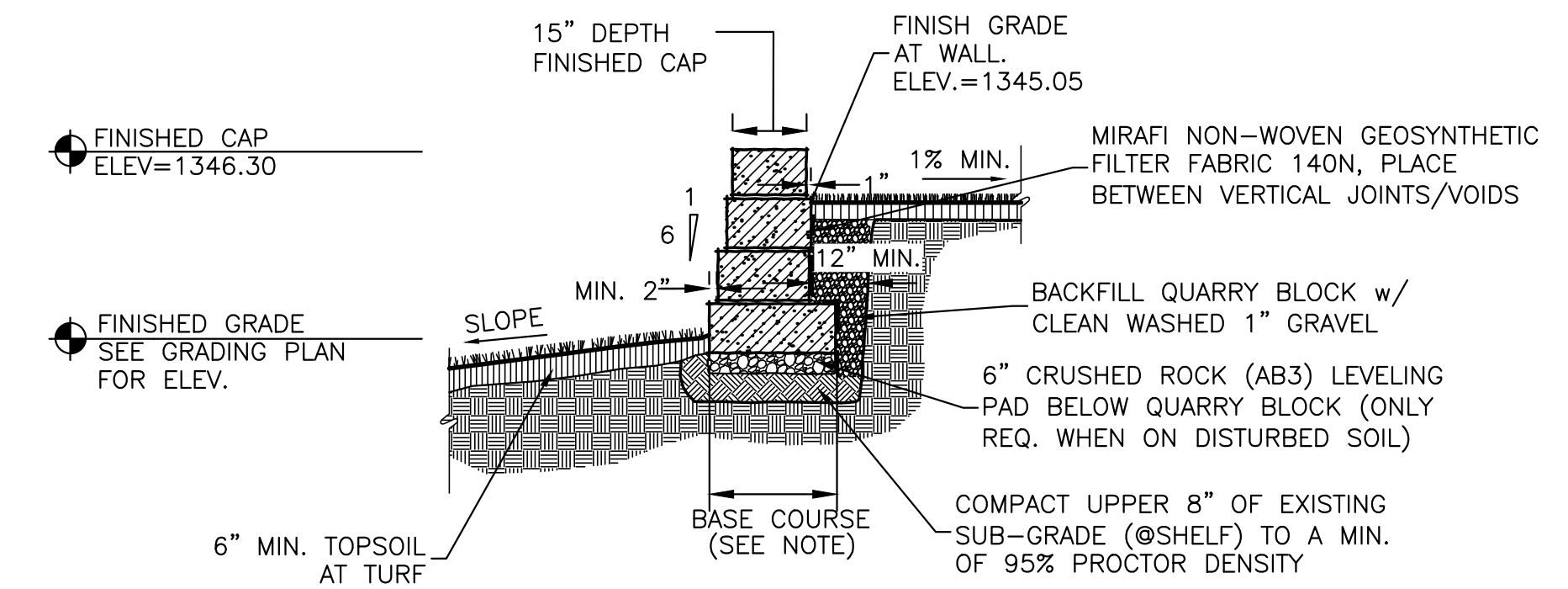


ELEVATION



4 FINISHED CAP PLAN
1:10

NOTE: THE STONE WALL WIDTH @ THE FINISHED CAP OF ALL WALLS SHALL BE 15" MIN., BATTERING DOWN TO A BASE COURSE MIN. WIDTH OF 2' OR ONE HALF THE HEIGHT OF THE WALL, WHICHEVER IS GREATER. FIRST STONE COURSE SHALL BE 12" BELOW FINISHED GRADE.



SECTION

A DRY STACK RETAINING WALL
1/4" = 1'-0"

©2018 MKEC Engineering All Rights Reserved www.mkec.com
These drawings and their contents, including, but not limited to, all concepts, designs, & ideas are the exclusive property of MKEC Engineering (MKEC), and may not be used or reproduced in any way without the express consent of MKEC.

SWS LINE 4 HEADWALL DETAILS

PROJECT NO.	468-85308
DATE	OCT. 2018
SCALE	AS SHOWN
DESIGNED	DML
DRAWN	DML
CHECKED	JAG

NO.	REVISION	DATE