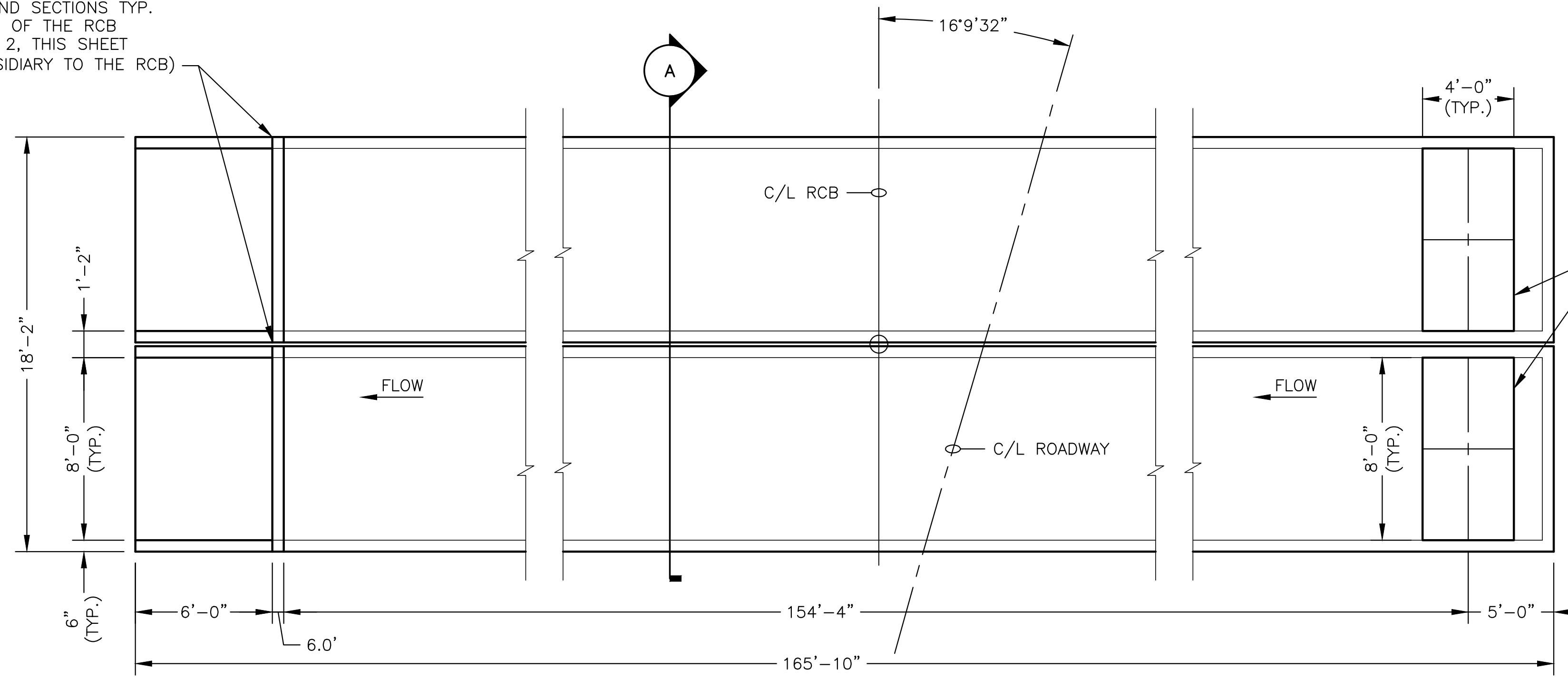
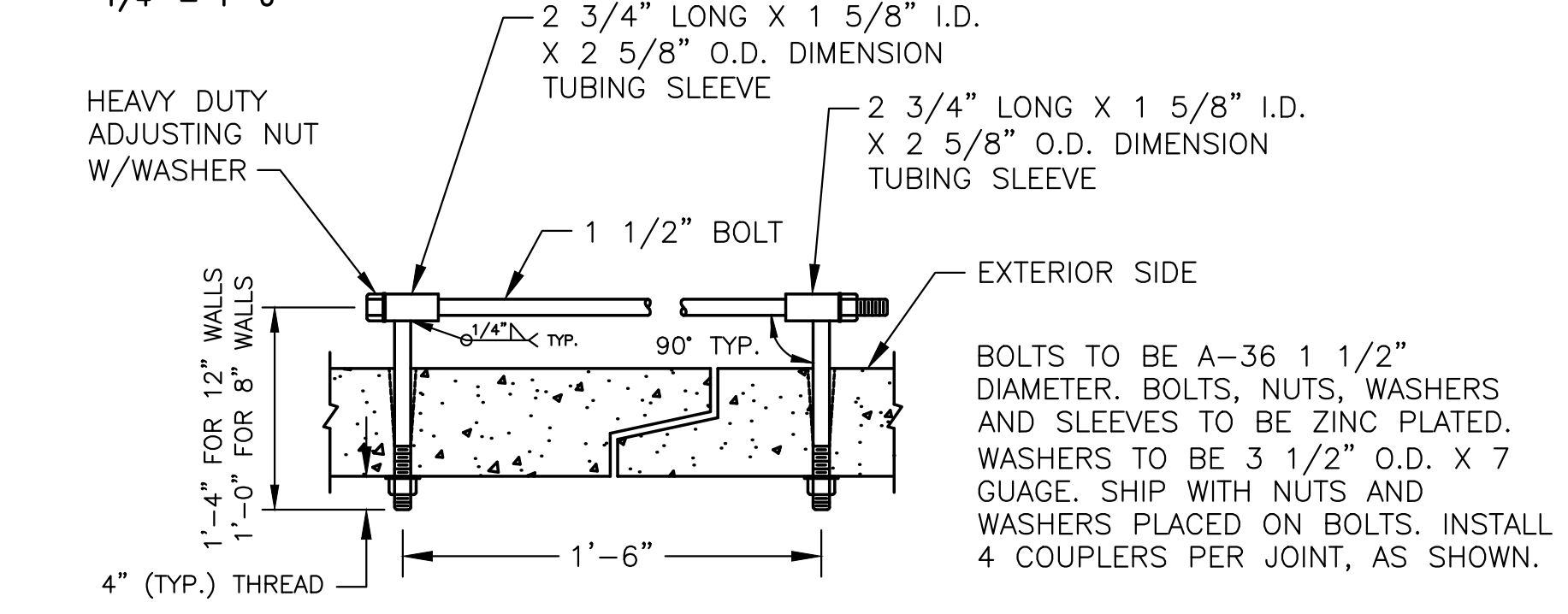


RESTRAIN END SECTIONS TYP.
BOTH SIDES OF THE RCB
SEE DETAIL 2, THIS SHEET
(COST SUBSIDIARY TO THE RCB)

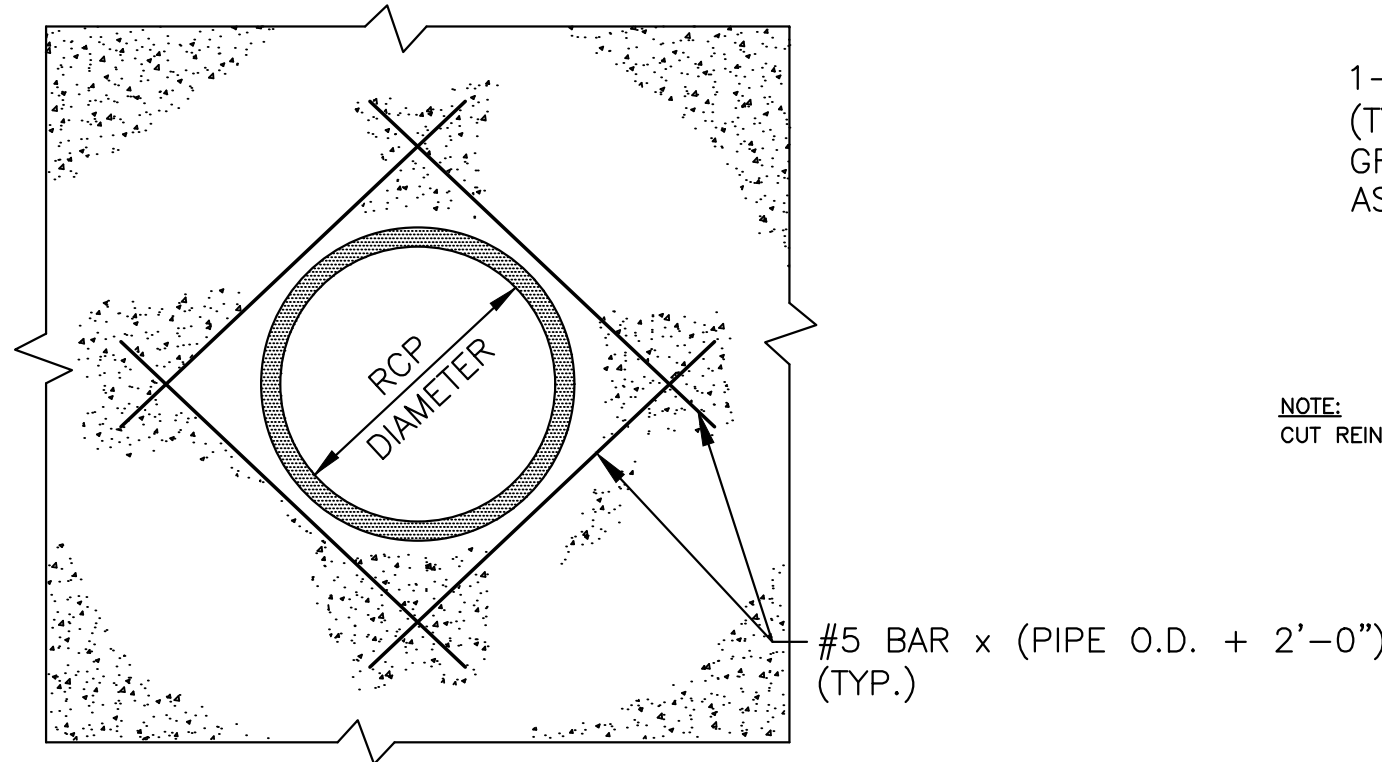


INSTALL 5'x8' AREA INLET
OVER BLOCK OUT (TYP.)
(SEE DETAILS 3-5, THIS SHEET)

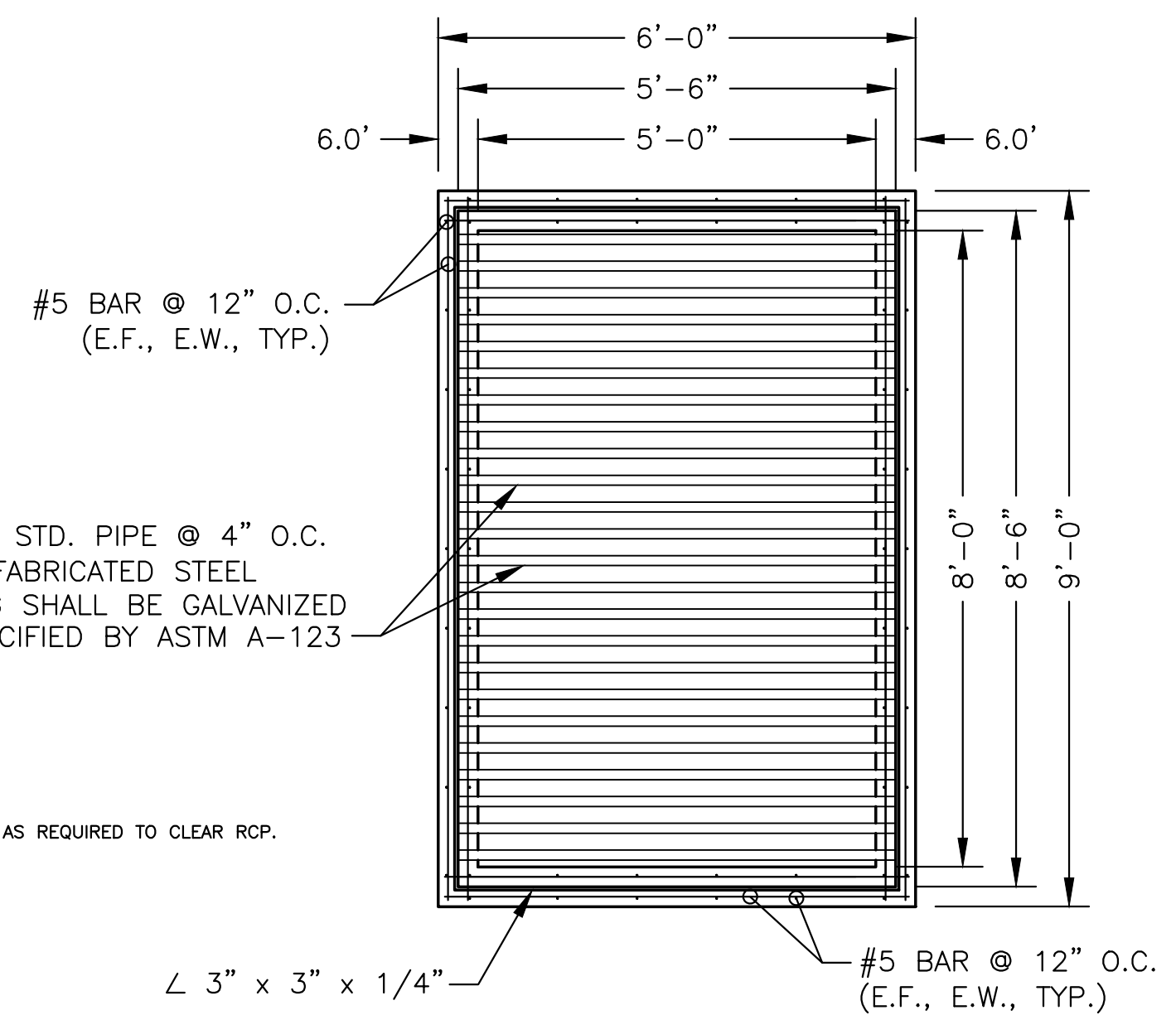
1 PLAN : RCB
1/4" = 1'-0"



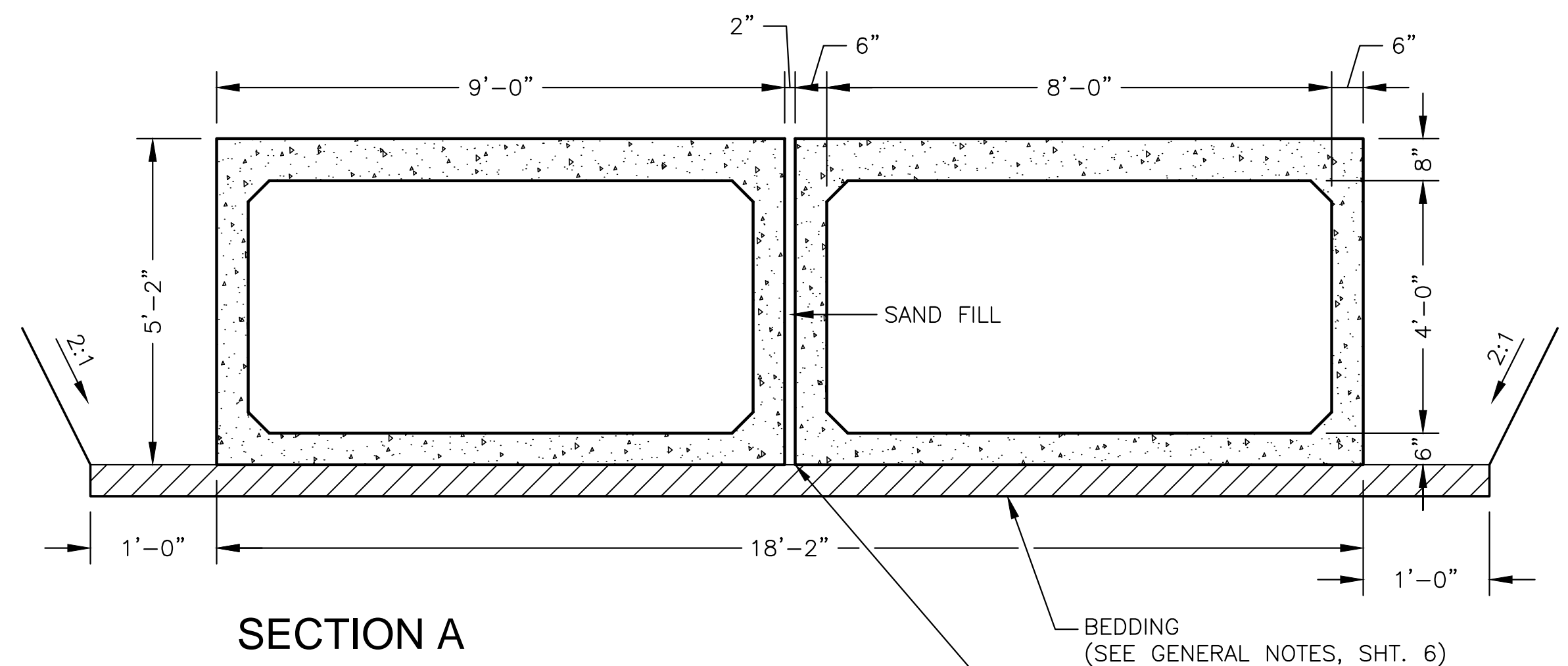
2 HEAVY DUTY (H.D.) COUPLER
NTS



3 TYPICAL REINFORCING AT PIPE
NTS

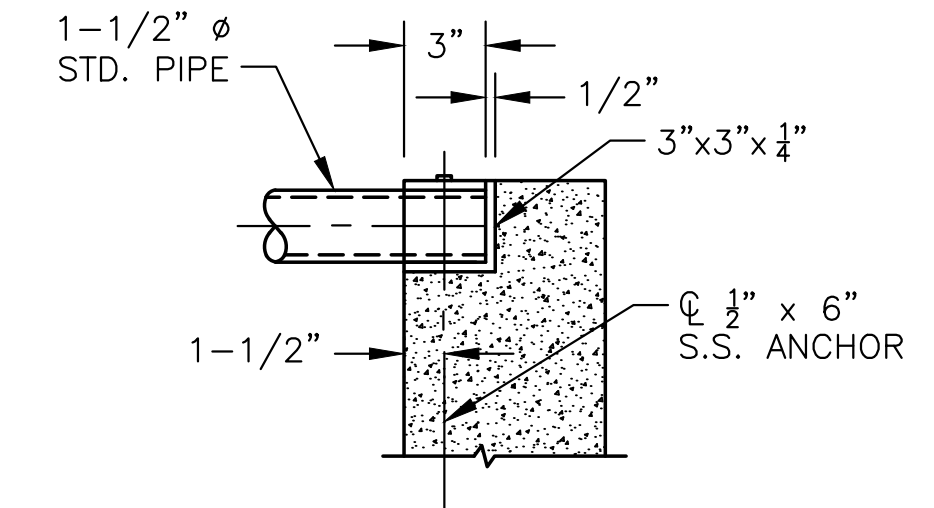


4 REINFORCED CONCRETE AREA INLET - PLAN
1/2" = 1'-0"



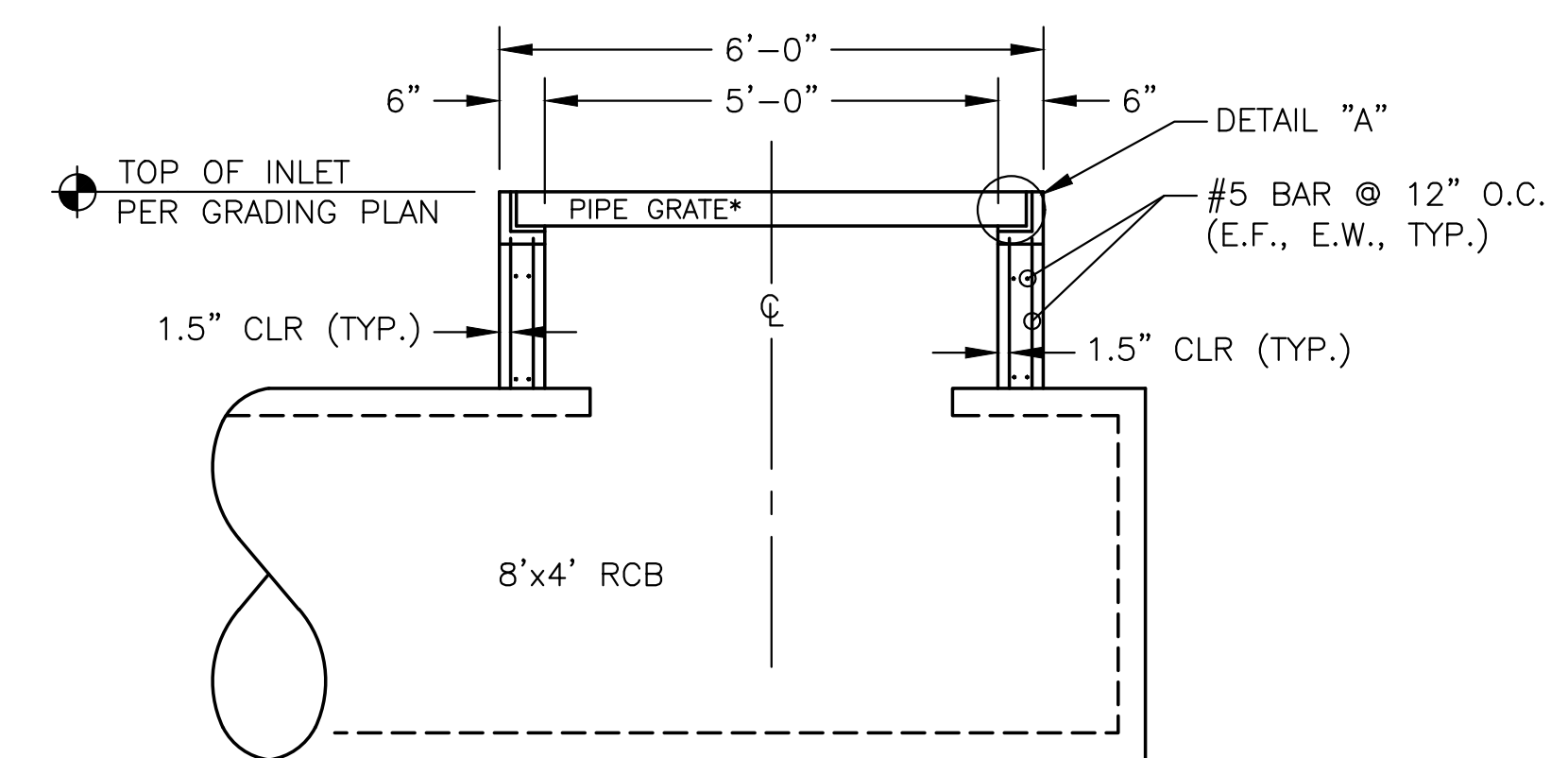
**SECTION A
TYPICAL PRECAST SECTION**
1/2" = 1'-0"

FILL SPACE BETWEEN BOXES WITH GROUT.
(MAINTAIN PROPER JOINT GAP, PARTIALLY
BACKFILL BOXES PRIOR TO GROUTING OR PROVIDE
A MECHANICAL CONNECTION BETWEEN BOXES.)



NOTE:
FABRICATED STEEL GRATING
SHALL BE GALVANIZED AS
SPECIFIED BY ASTM A-123.

DETAIL "A"
1/2" = 1'-0"



5 REINFORCED CONCRETE AREA INLET - ELEVATION
1/2" = 1'-0"

J:\PROJECTS\2018\1601010221 - PERFECTION, AUBURN LAKES - 16221 CAD\SHITS\05 CIVIL\SWSPART B\16221-06-404-PTB.DWG PLOTTED: Wednesday, October 24, 2018 @ 09:22AM