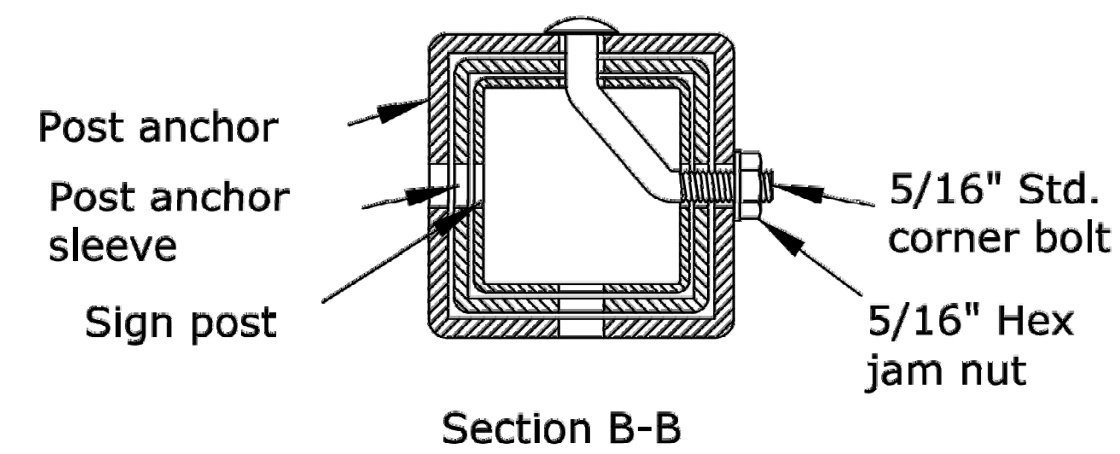
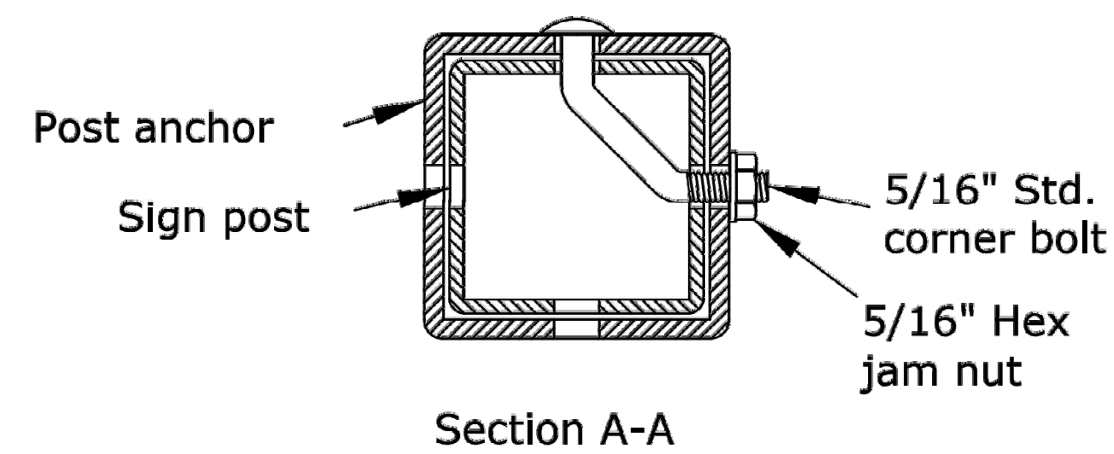
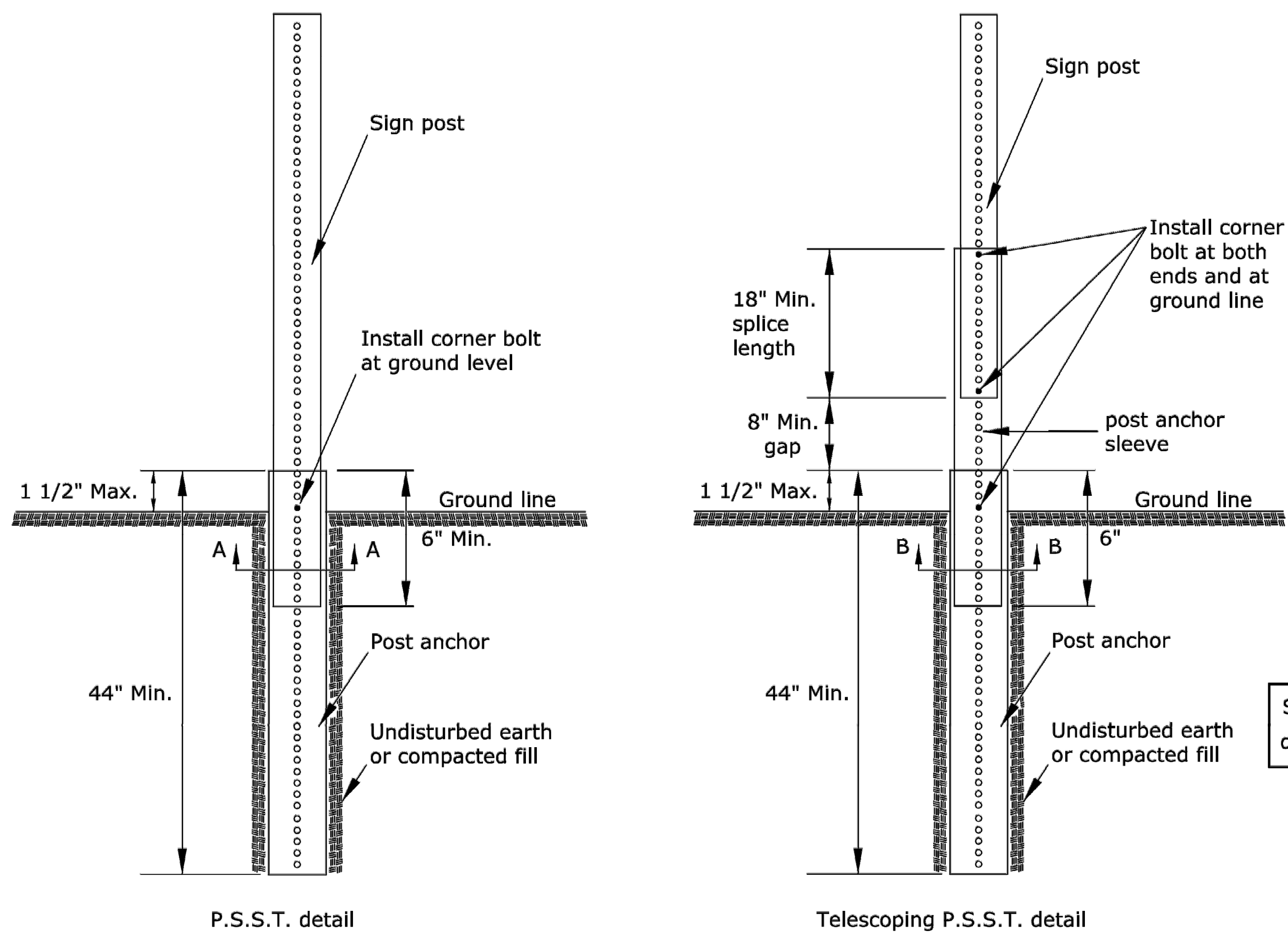
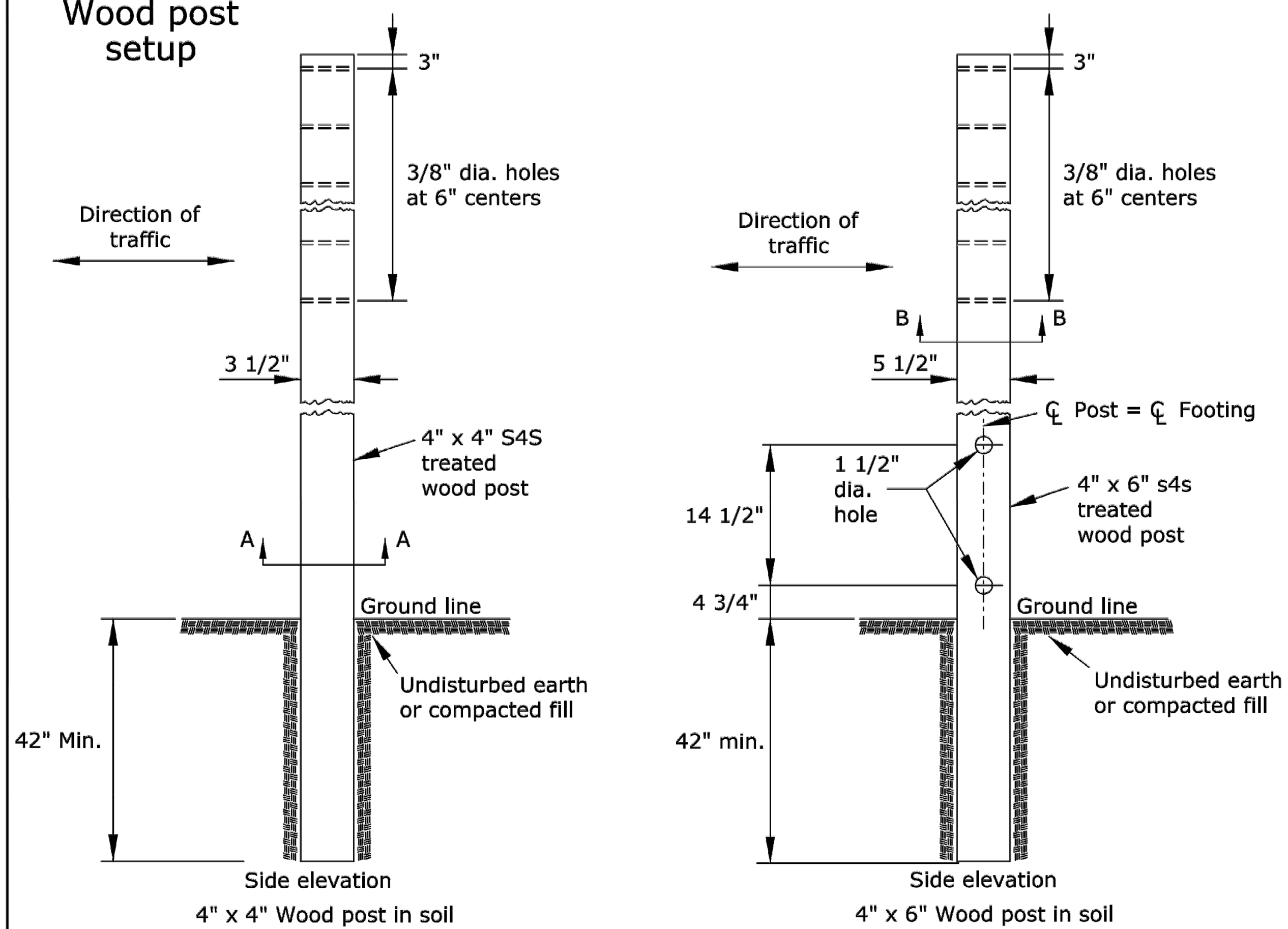


Perforated square steel tube (P.S.S.T.) post setup

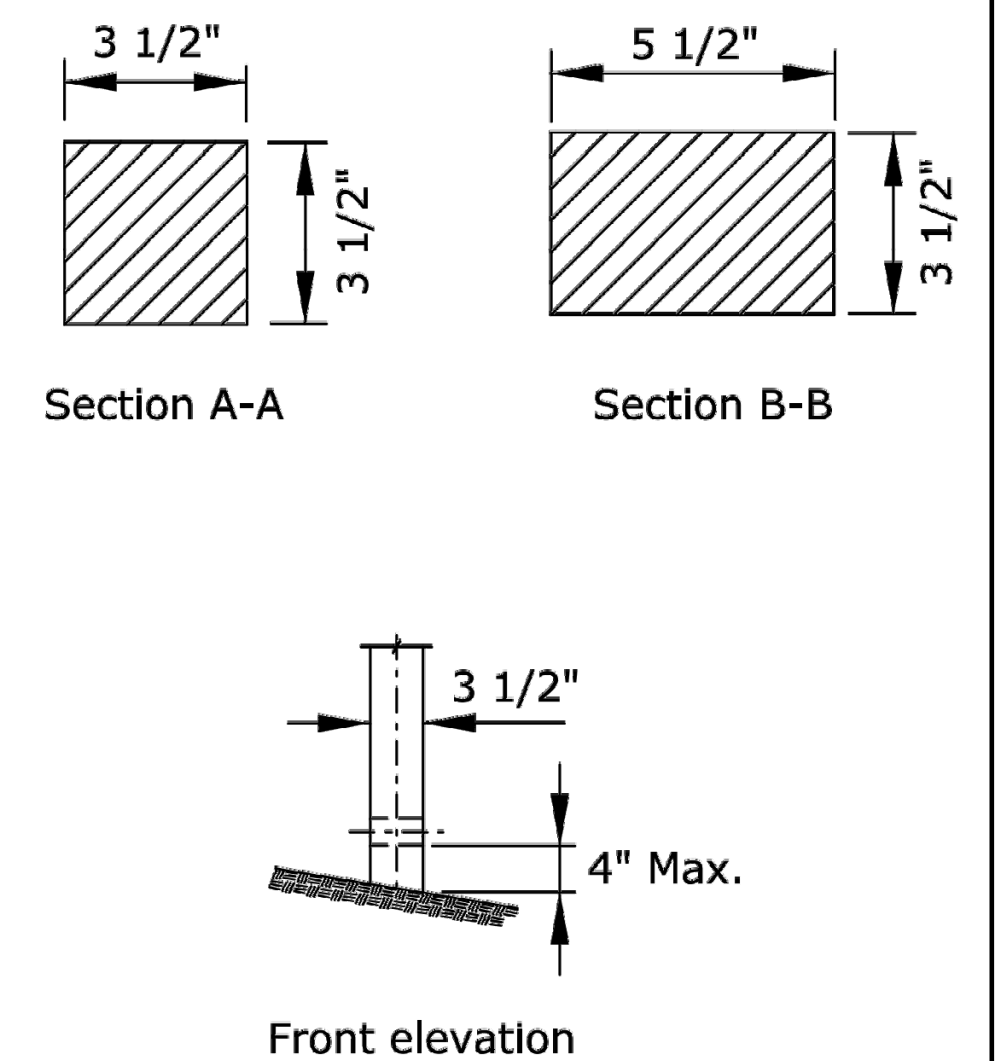


Details for 2", 2 1/4", or 2 1/2" sign posts  
Place bolts in the same corner along each sign post.

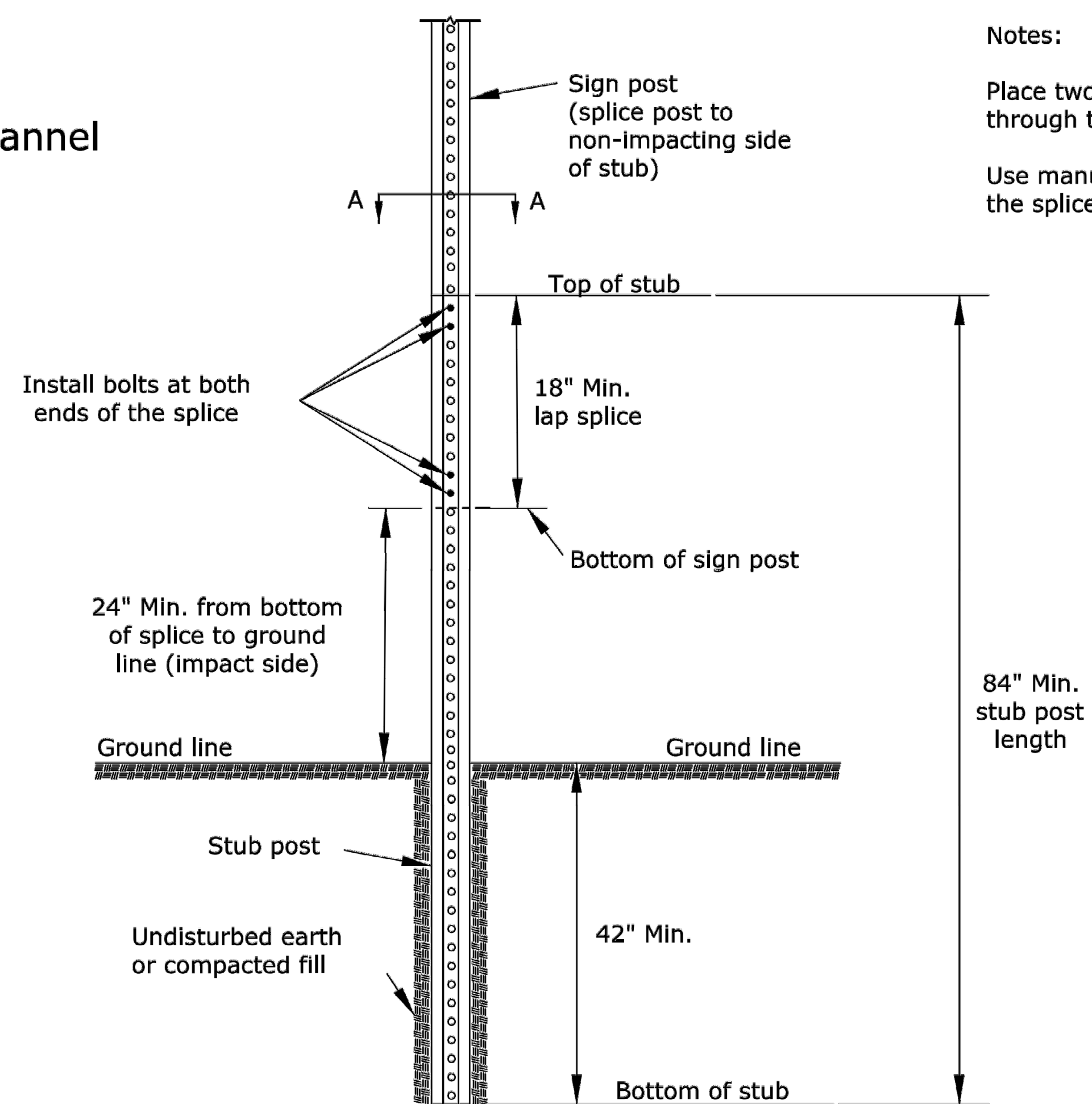
Wood post setup



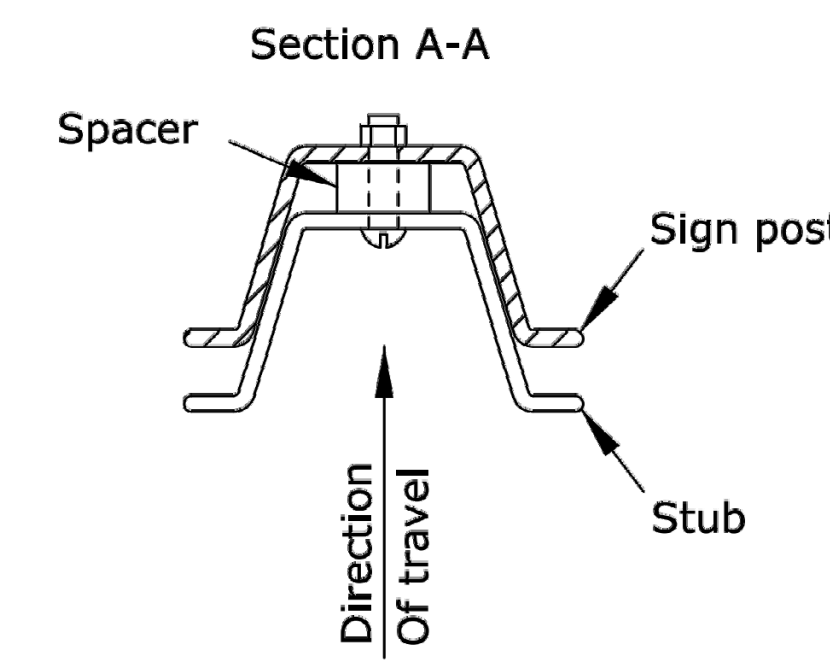
STATE	PROJECT NO.	YEAR	SHEET NO.	TOTAL SHEETS
KANSAS	448-90934	2018	22	22



3 lb/f U-Channel setup



Notes:  
Place two bolts at both ends of the splice through the holes nearest the ends of the splice.  
Use manufacturer recommended spacers over the bolts between the spliced pieces of U-Channel.



NO.	DATE	REVISIONS	BY	APP'D
3				
2				
1				

KANSAS DEPARTMENT OF TRANSPORTATION

TRAFFIC CONTROL SIGN POSTS

TE712

DESIGNED	B.A.H./D.E.T.	06/01/15	APP'D	Kristina Pyle
DESIGN CK.	DETAIL CK.	QUAN. CK.	TRACE CK.	