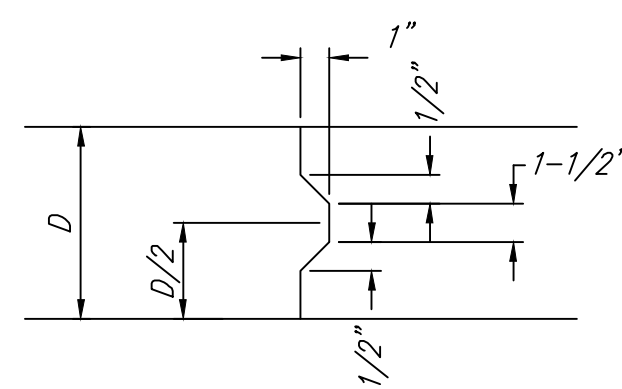
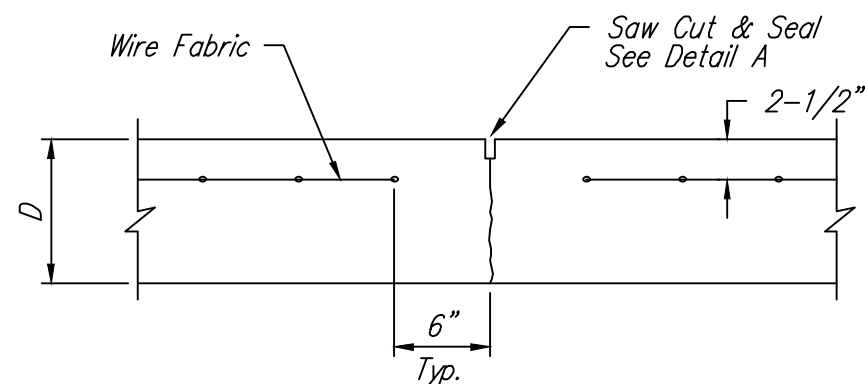


**EXPANSION JOINT**

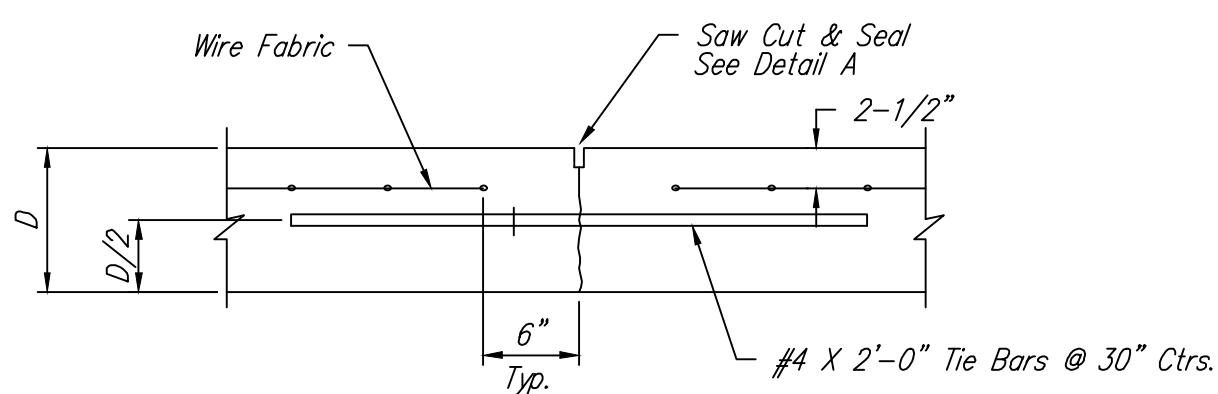
NOTE: Extra Thickness to be Subsidiary to Price of Square Yards Pavement



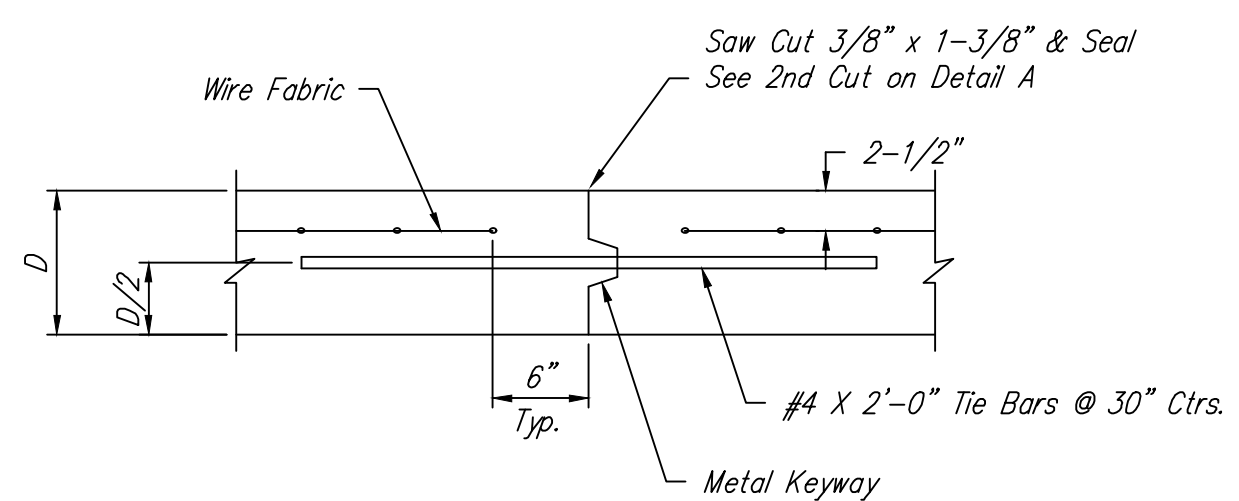
**KEYWAY DETAIL**



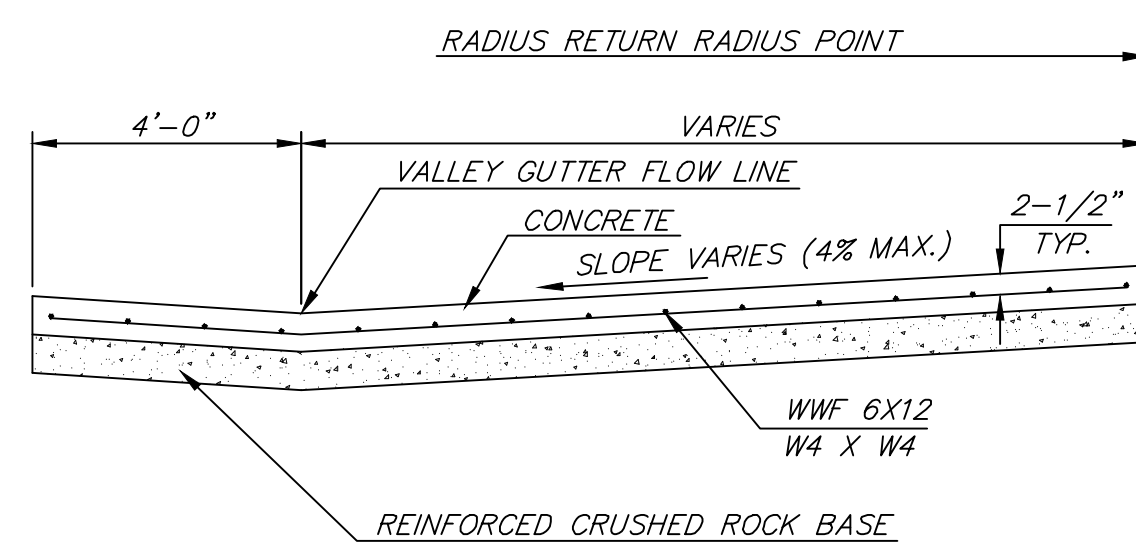
**CONTRACTION JOINT DETAIL (C.J.)**



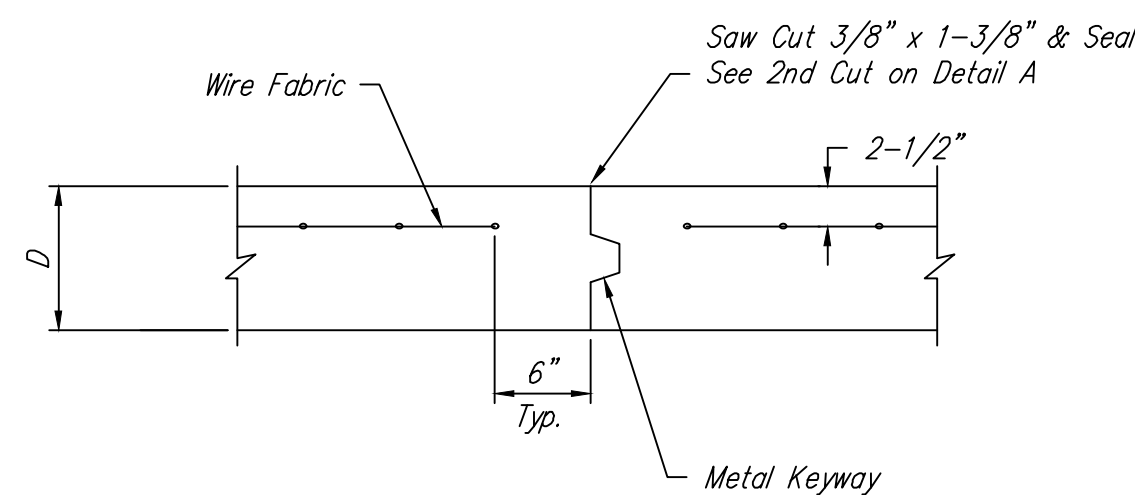
**LONGITUDINAL JOINT DETAIL (L.J.)**



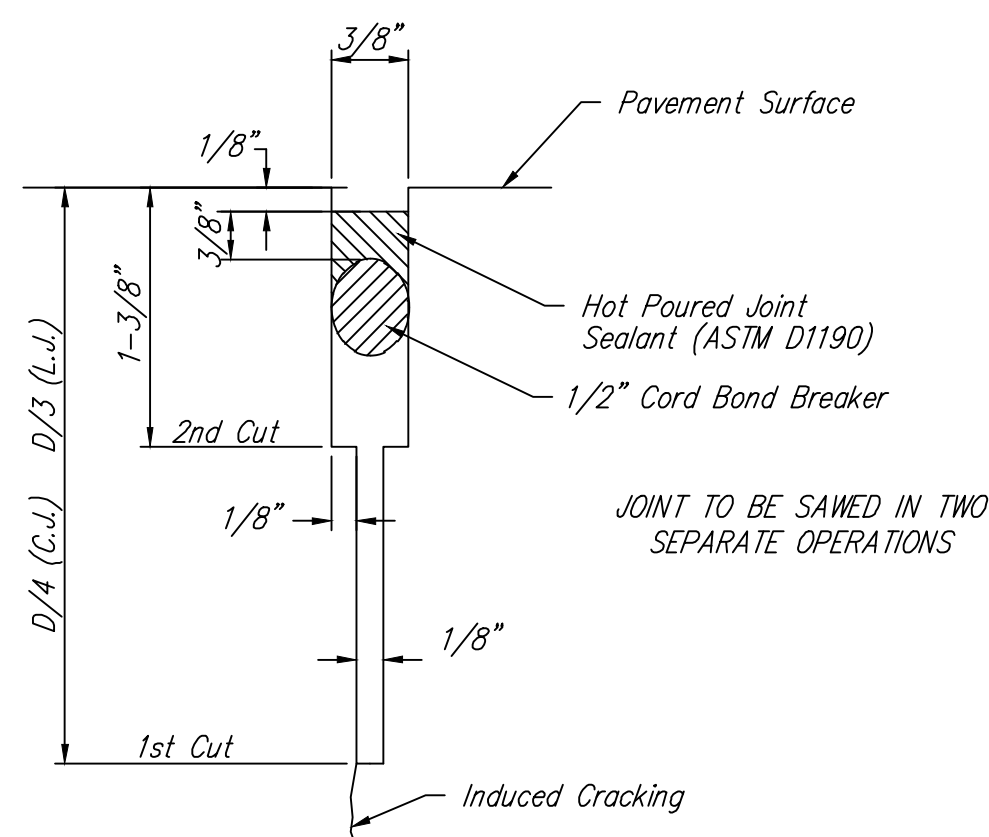
**OPTIONAL LONGITUDINAL JOINT DETAIL (L.J.)**



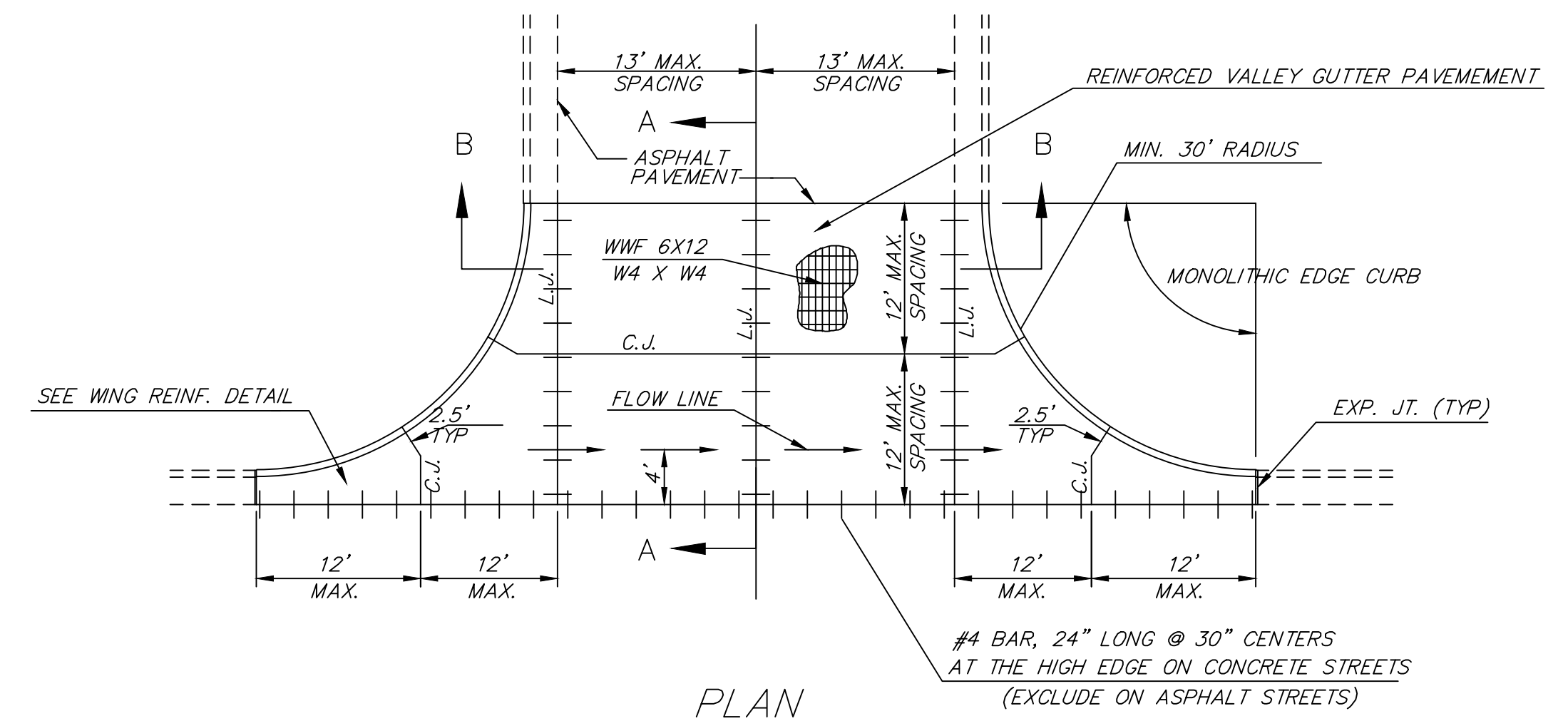
**SECTION A-A**



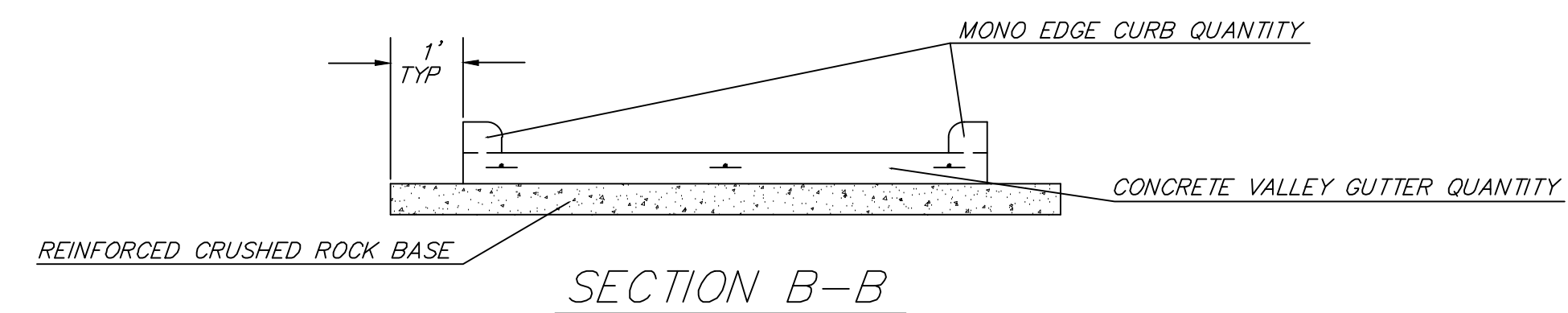
**OPTIONAL CONTRACTION JOINT**



**SAW JOINT DETAIL (DETAIL A)**

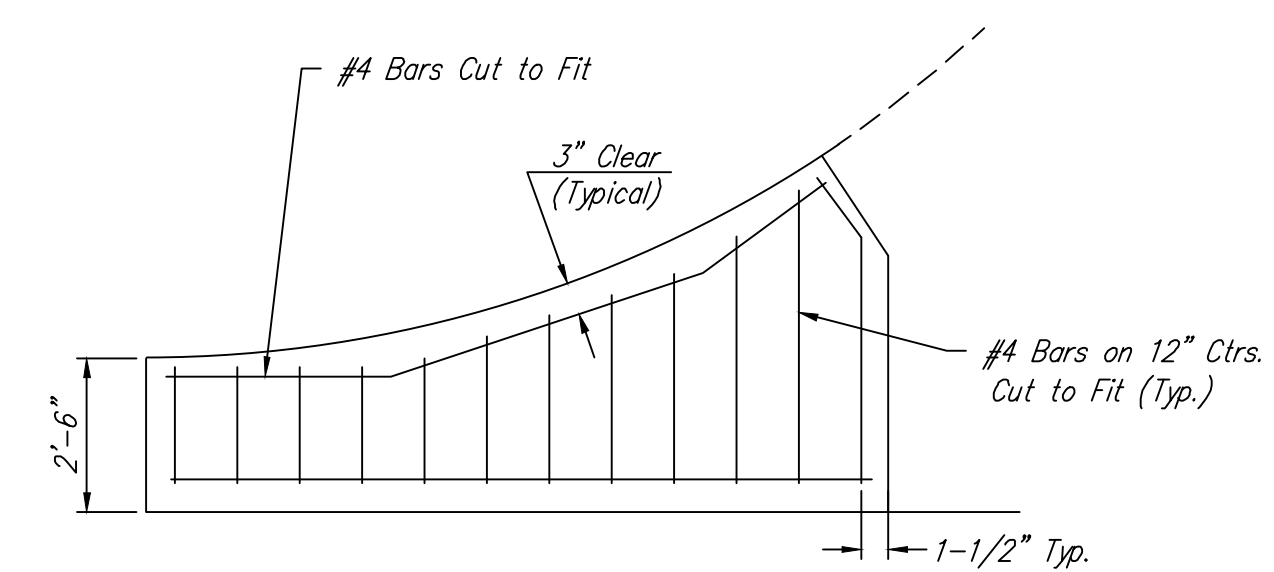


**PLAN**




**SECTION B-B**

**REINFORCED VALLEY GUTTER DETAIL**



**WING REINFORCING DETAIL**

Sheet 10-22-2018 2:36:17 PM by KURTIS DEKAT  
 Plot Scale 1:1 11-21-2018 5:50:08 PM by KURTIS DEKAT  
 U:\Wichita-Civil\2016\160312\014\Drawings\160312-014-C16-CONCRETE VALLEY GUTTER DETAILS

REVISION MAY 2017		SECTION B-B, ROCK EXTENDED ONE FOOT BEYOND PAVEMENT	
			
<b>VALLEY GUTTER DETAILS</b>			
CITY ENGINEER <b>GARY JANZEN, P.E.</b>			
PROJECT NUMBER	OCA NUMBER	DATE	
448-90913	638104		
CITY ENGINEER'S OFFICE			SHEET
CITY HALL - SEVENTH FLOOR 455 NORTH MAIN STREET WICHITA, KANSAS 67202-1620 (316) 268-4501			<b>C16 of 34</b>