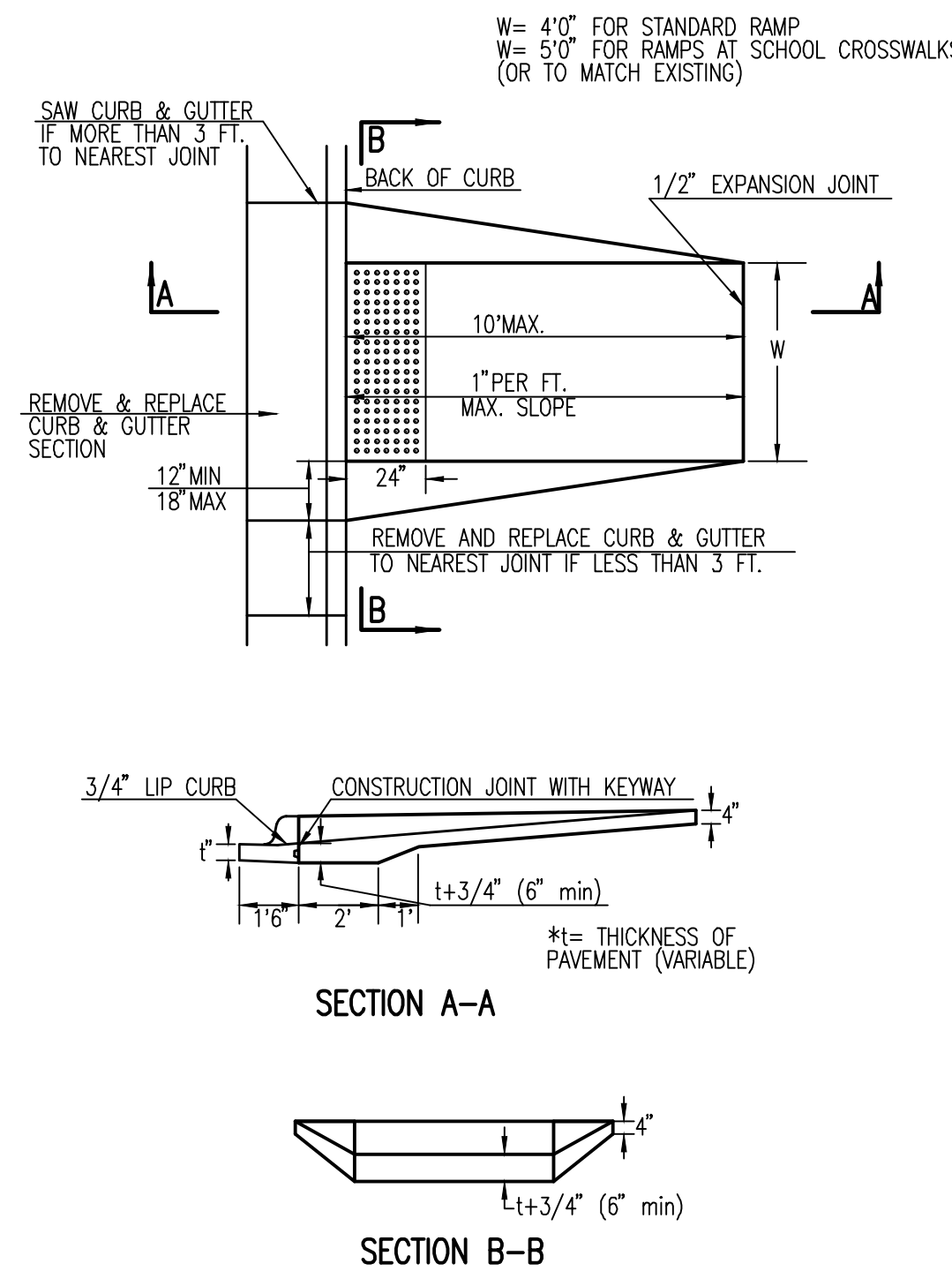
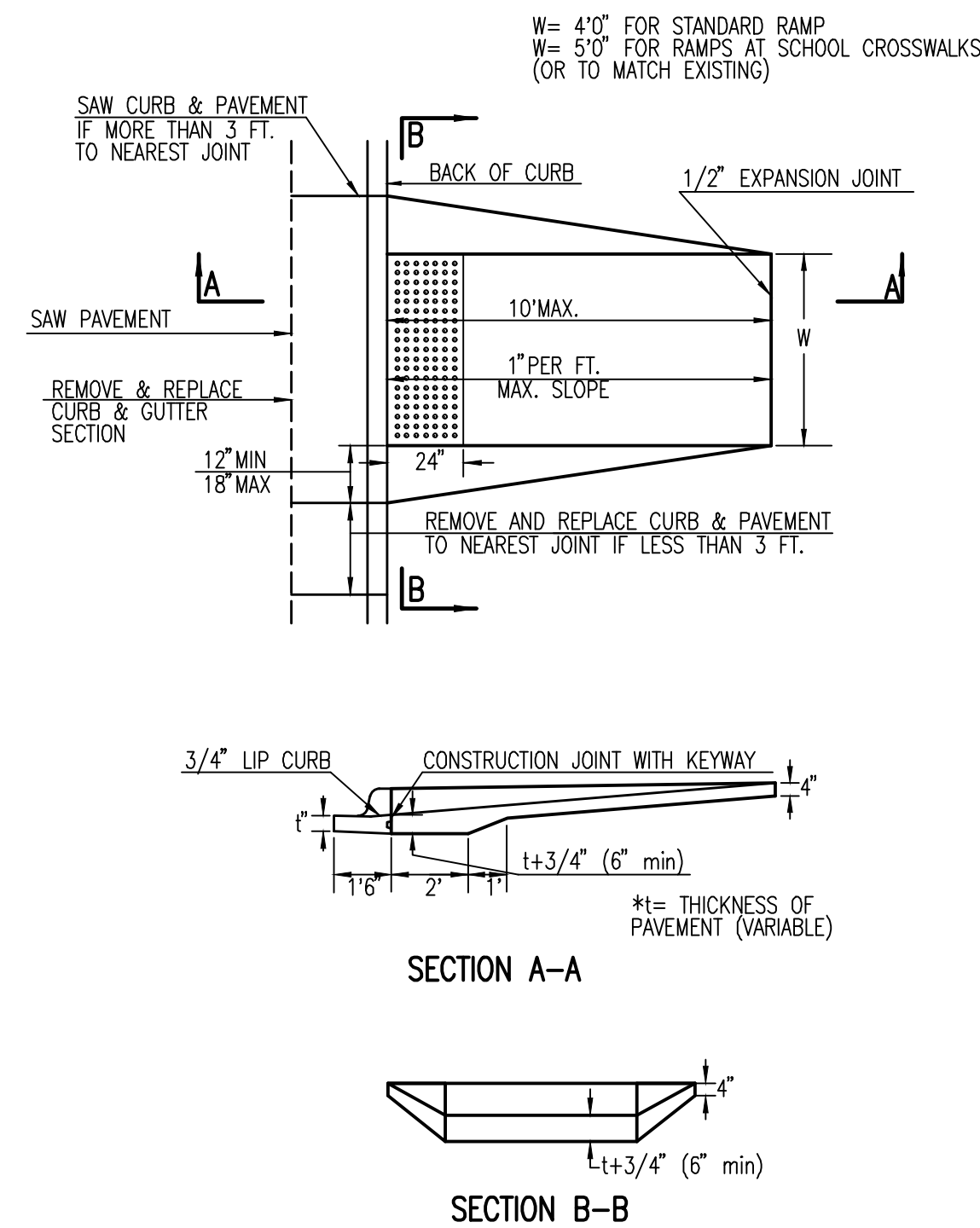


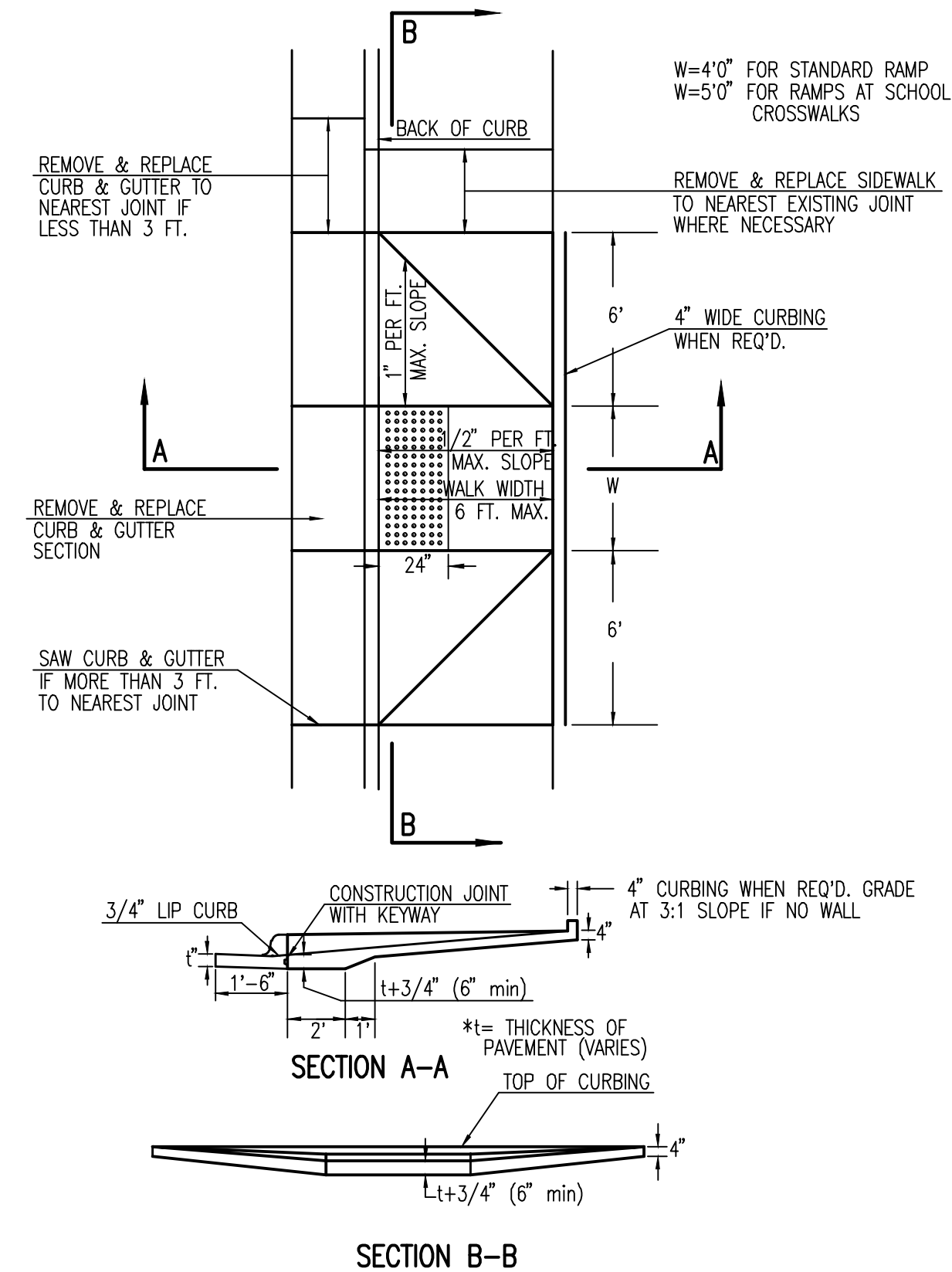
**STANDARD WHEELCHAIR RAMP  
CONSTRUCTION DETAIL FOR STREETS  
WITH COMBINED CURB & GUTTER  
(TYPE A)**



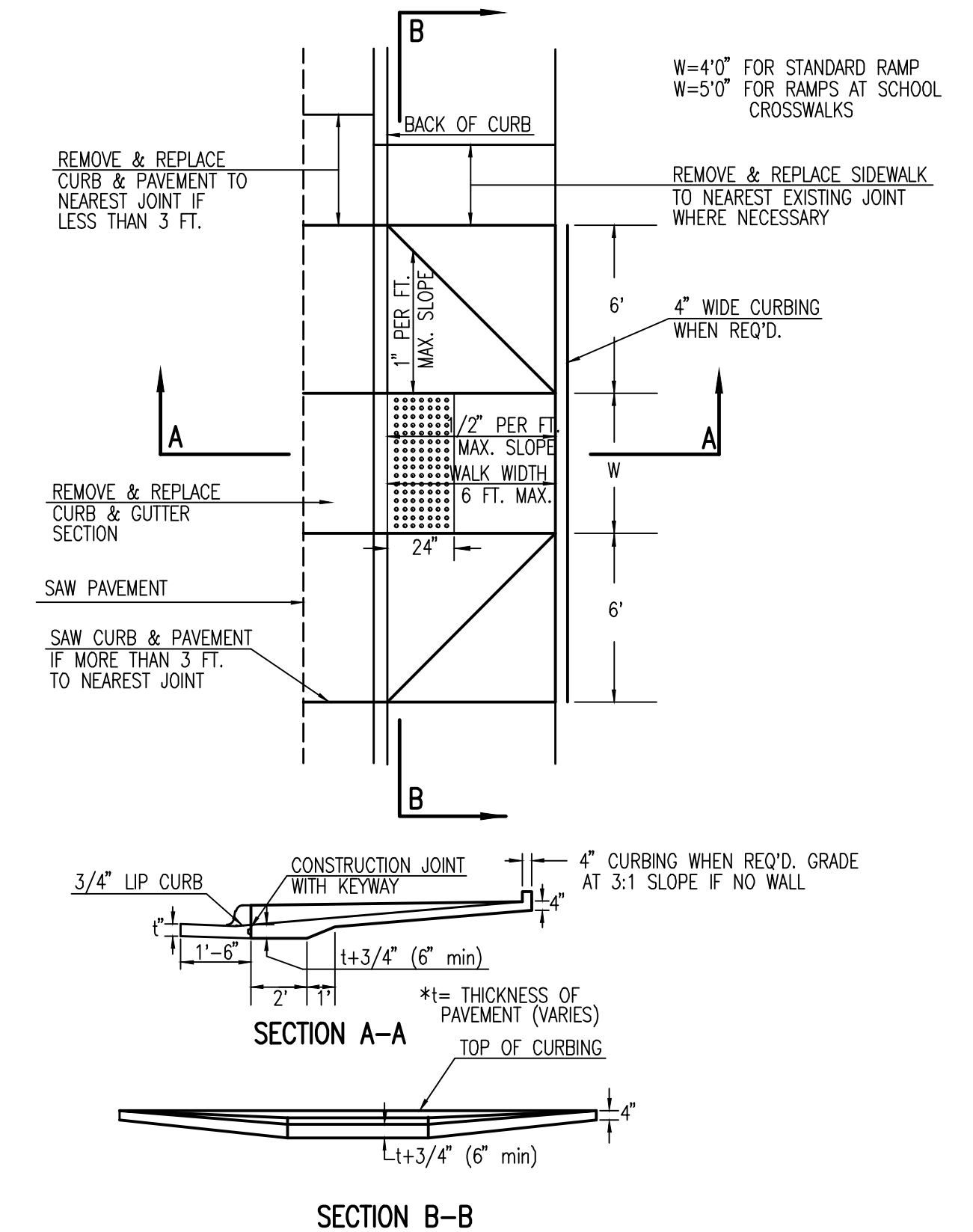
**STANDARD WHEELCHAIR RAMP CONSTRUCTION DETAIL FOR  
CONCRETE STREETS WITH MONOLITHIC CURB  
(TYPE A)**



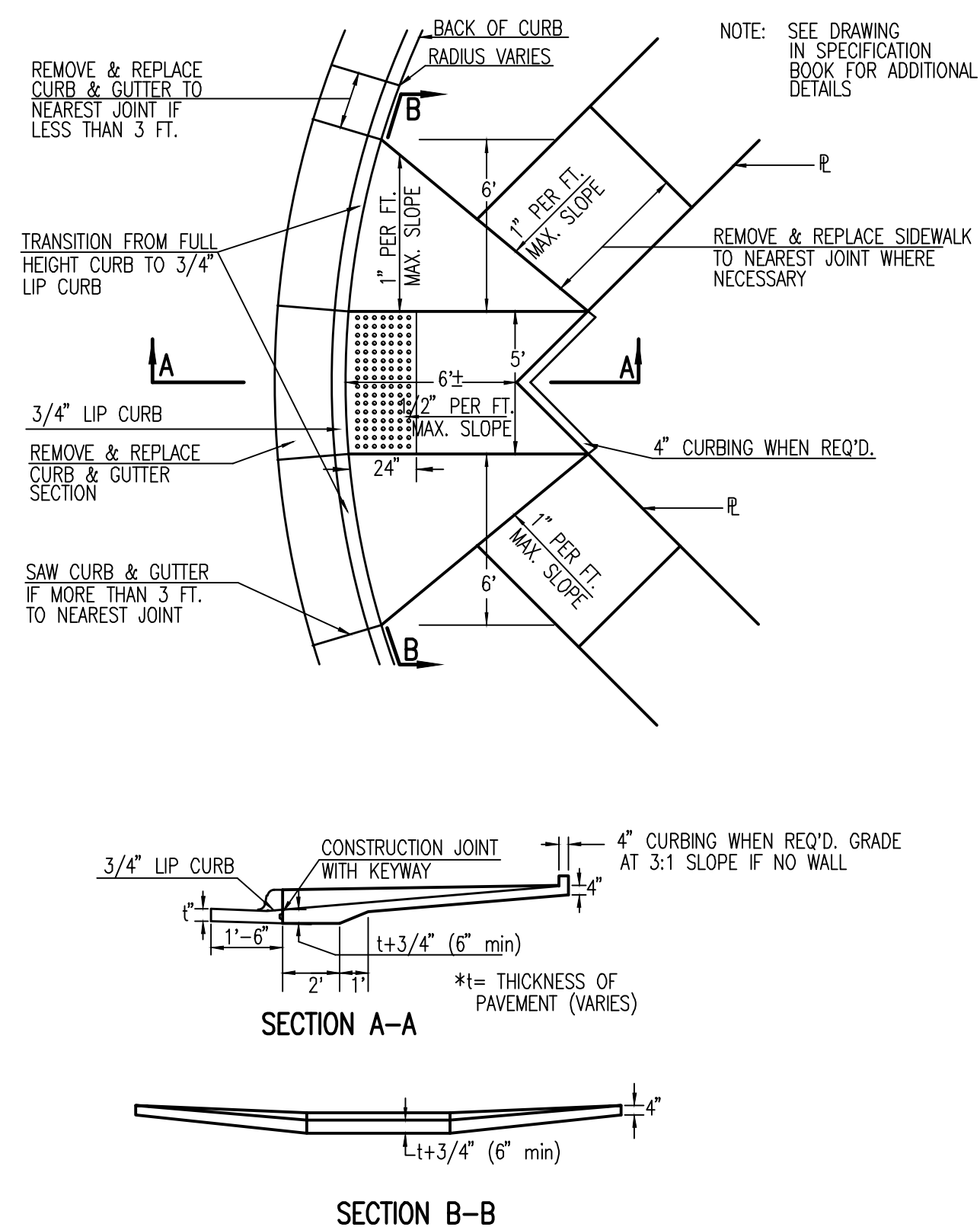
**STANDARD WHEELCHAIR RAMP CONSTRUCTION DETAIL FOR  
STREETS WITH COMBINED CURB & GUTTER AND FULL WALK  
(TYPE B)**



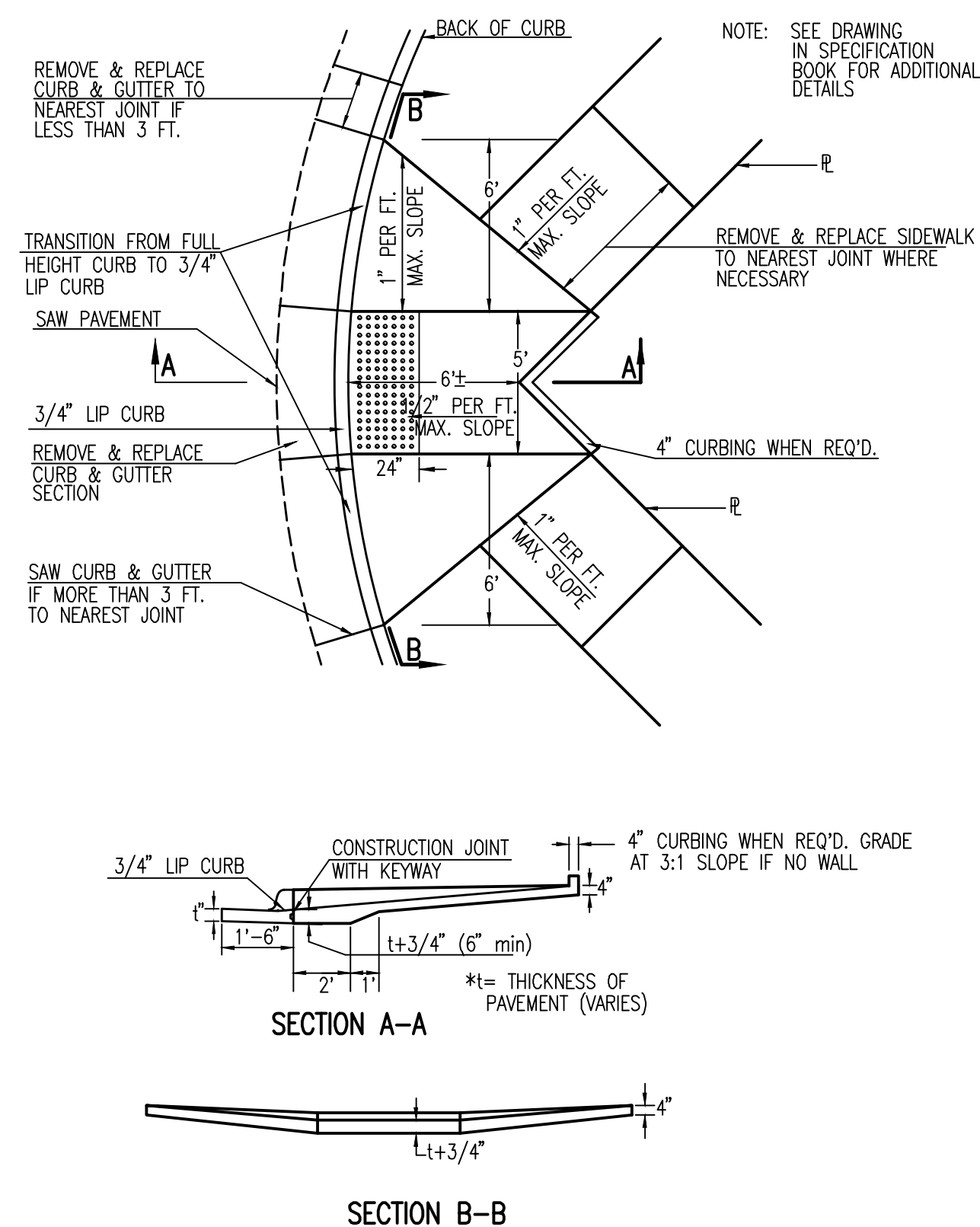
**STANDARD WHEELCHAIR RAMP CONSTRUCTION DETAIL FOR  
STREETS WITH MONOLITHIC CURB AND FULL WALK  
(TYPE B)**



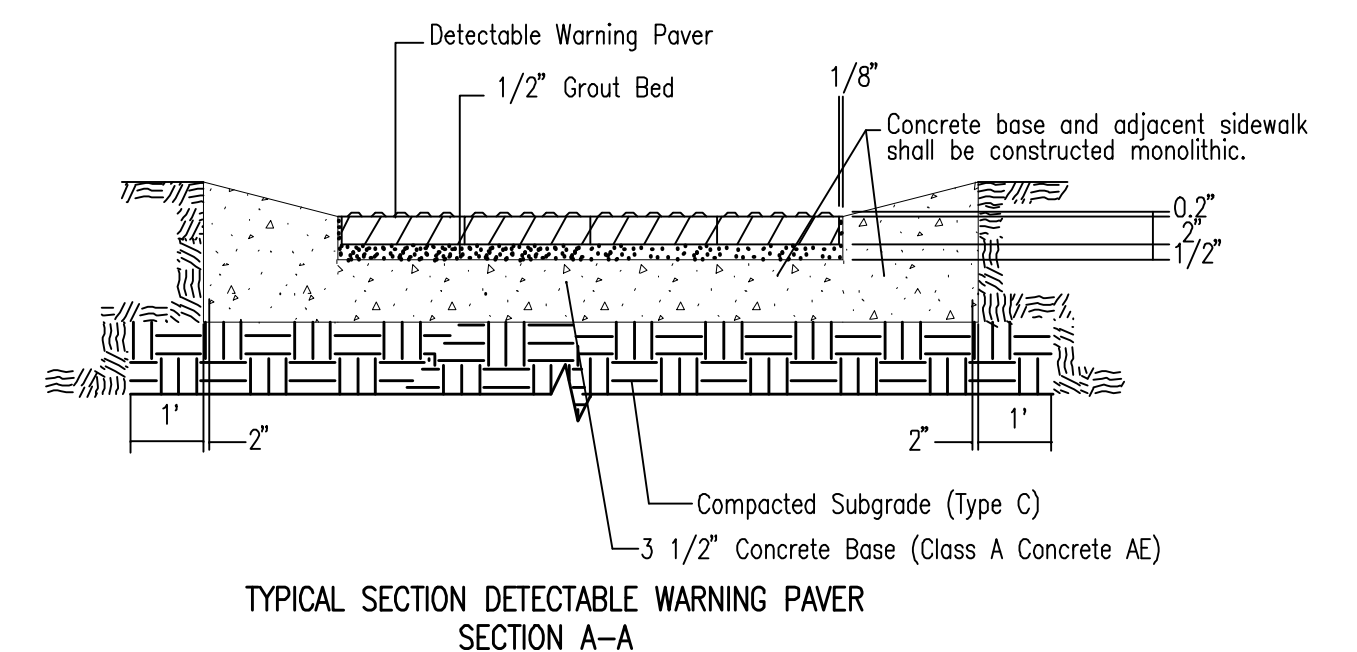
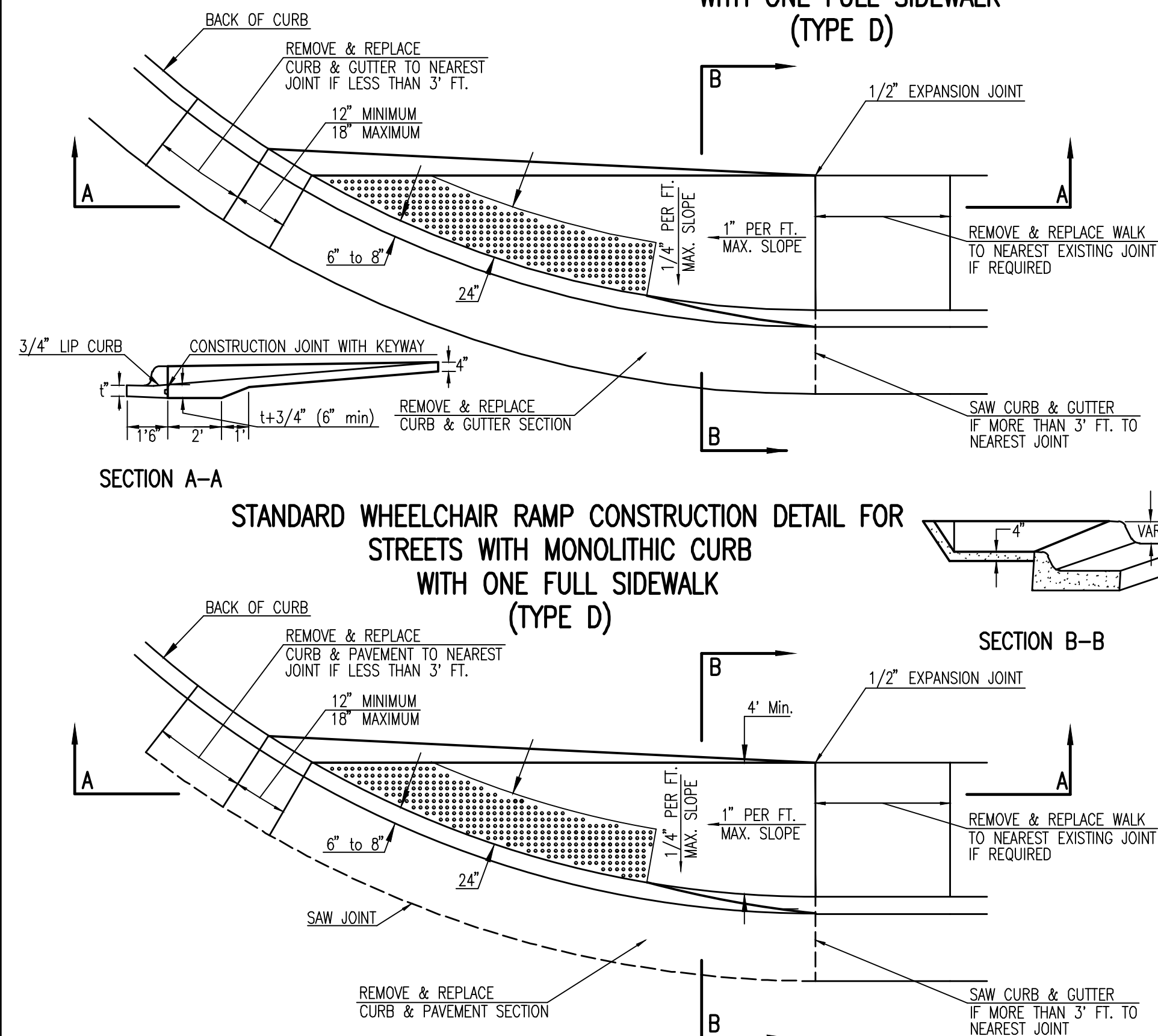
**STANDARD WHEELCHAIR RAMP CONSTRUCTION DETAIL FOR  
STREET WITH COMBINED CURB AND GUTTER ON RADIUS  
WITH 6'± FROM BACK OF CURB TO PROPERTY CORNER  
(TYPE C)**



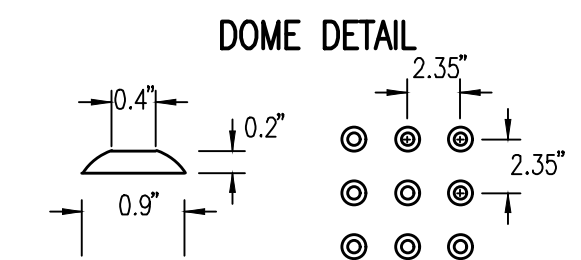
**STANDARD WHEELCHAIR RAMP CONSTRUCTION DETAIL FOR  
STREET WITH MONOLITHIC CURB ON RADIUS  
WITH 6'± FROM BACK OF CURB TO PROPERTY CORNER  
(TYPE C)**



**STANDARD WHEELCHAIR RAMP CONSTRUCTION DETAIL FOR  
STREETS WITH COMBINED CURB & GUTTER  
WITH ONE FULL SIDEWALK  
(TYPE D)**



NOTE: HANOVER DETECTABLE WARNING PAVERS (OR AN APPROVED ALTERNATE) SHALL BE USED IN ALL WHEELCHAIR RAMPS. THE 11 3/4" RED 15' PAVES SHALL BE USED IN ALL APPLICATIONS.  
HANOVER ARCHITECTURAL PRODUCTS  
240 BENDER ROAD  
HANOVER, PA 17331  
1-717-637-0500  
www.hanoverpavers.com



**WHEELCHAIR RAMP  
DETAILS WITH  
DETECTABLE WARNING**

CITY ENGINEER <b>GARY JANZEN, P.E.</b>		
PROJECT NUMBER 448-90913	OCA NUMBER 638104	DATE 08/2013
CITY ENGINEER'S OFFICE CITY HALL - SEVENTH FLOOR 455 NORTH MAIN STREET WICHITA, KANSAS 67202-1620 (316) 268-4501		SHEET <b>C17 of 34</b>