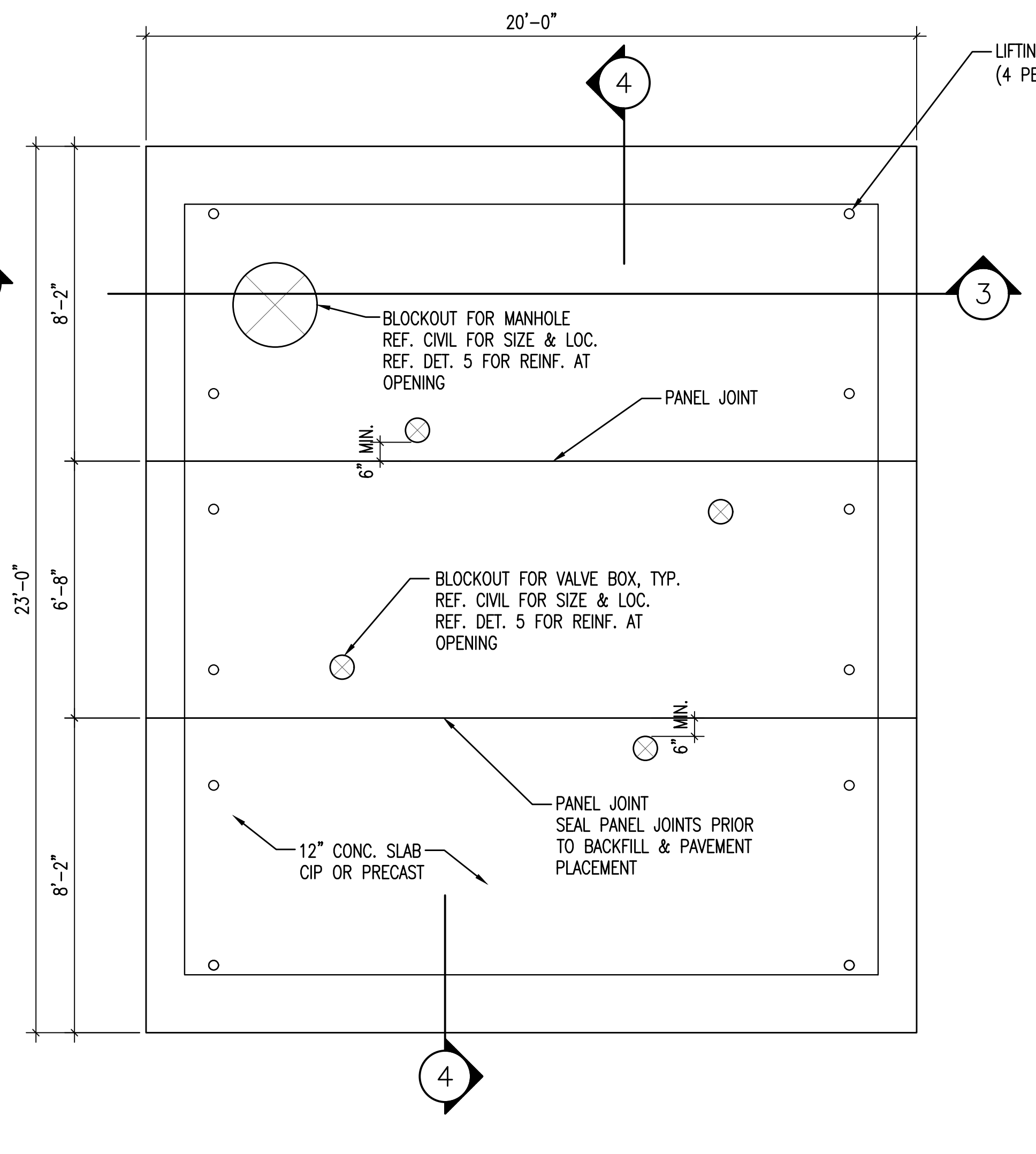
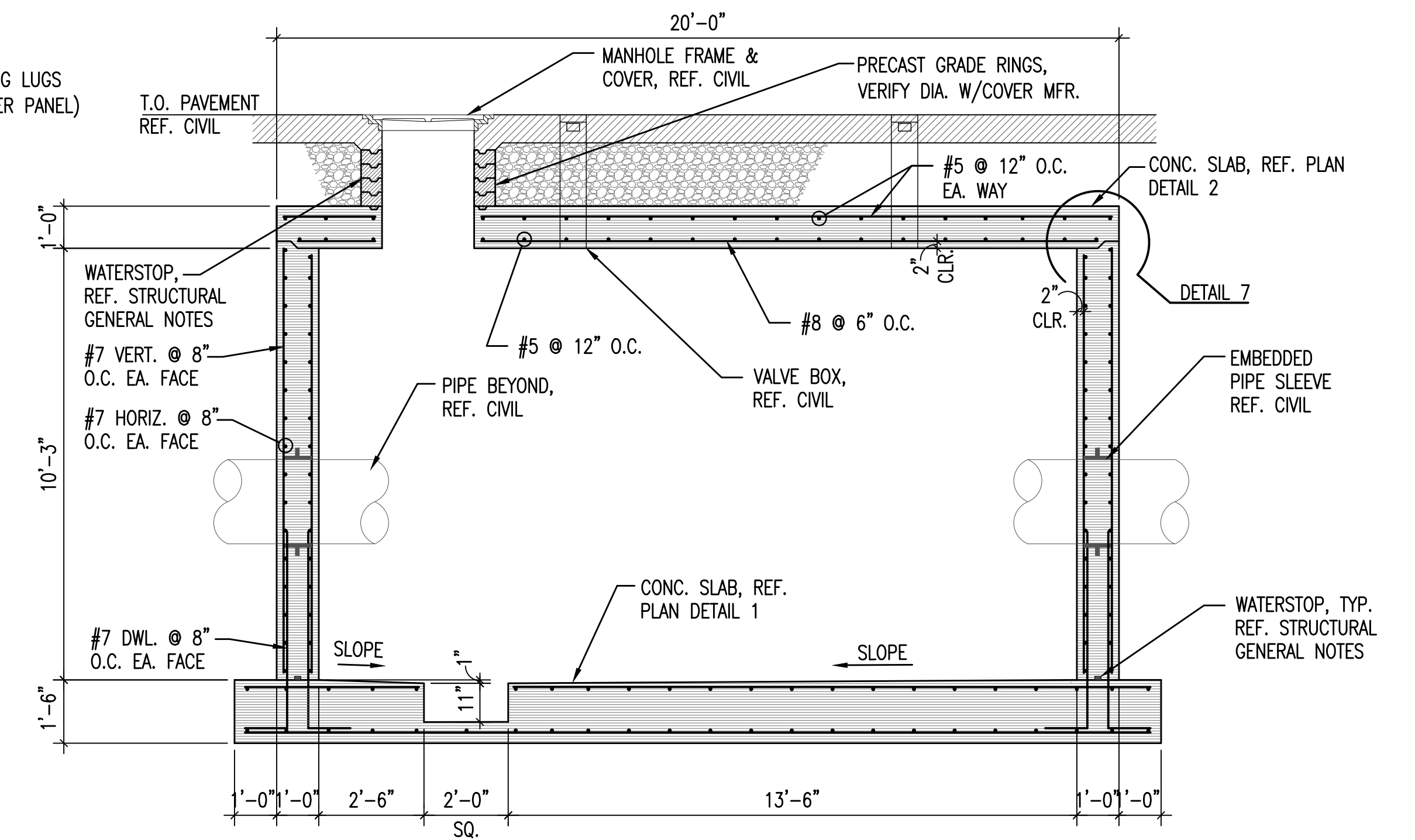


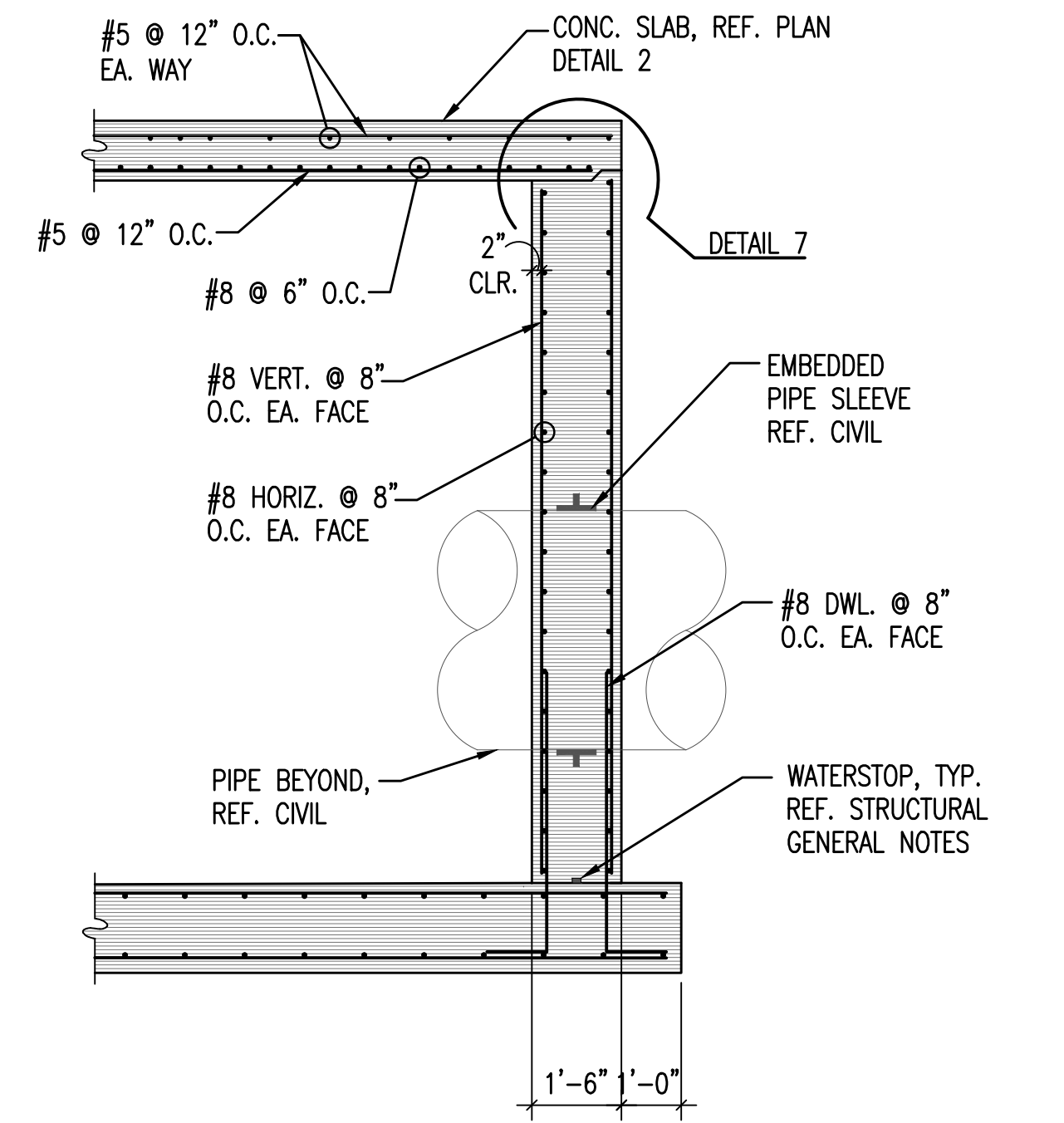
1 VAULT FOUNDATION PLAN
3/8"=1'-0"



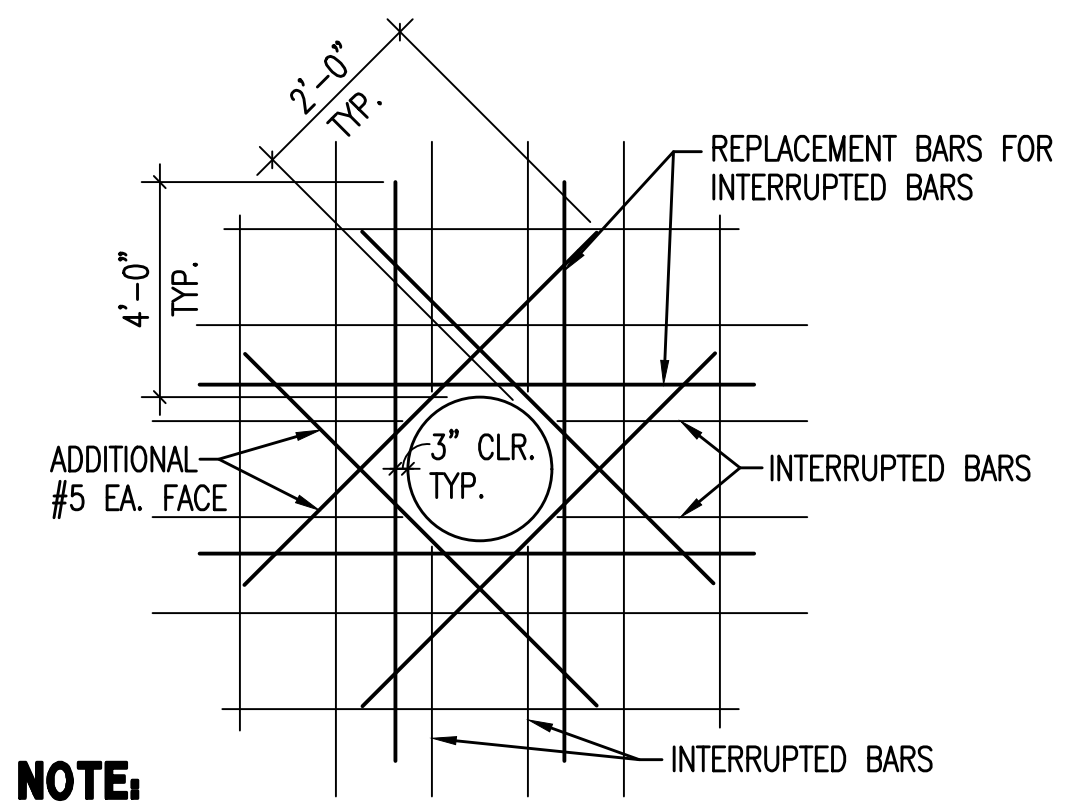
2 VAULT COVER PLAN
3/8"=1'-0"



3 VAULT SECTION
3/8"=1'-0"

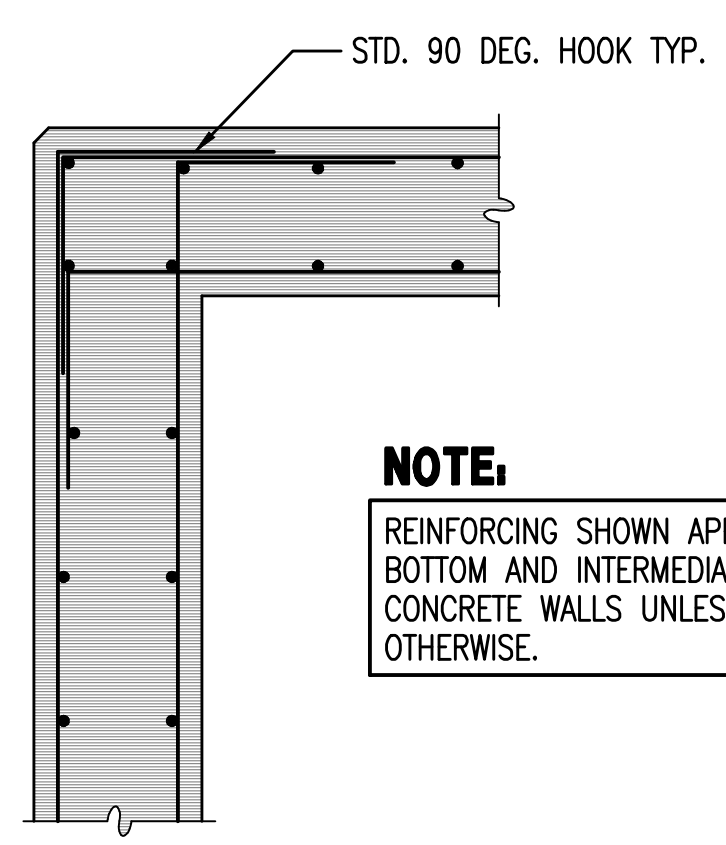


4 VAULT SECTION
3/8"=1'-0"



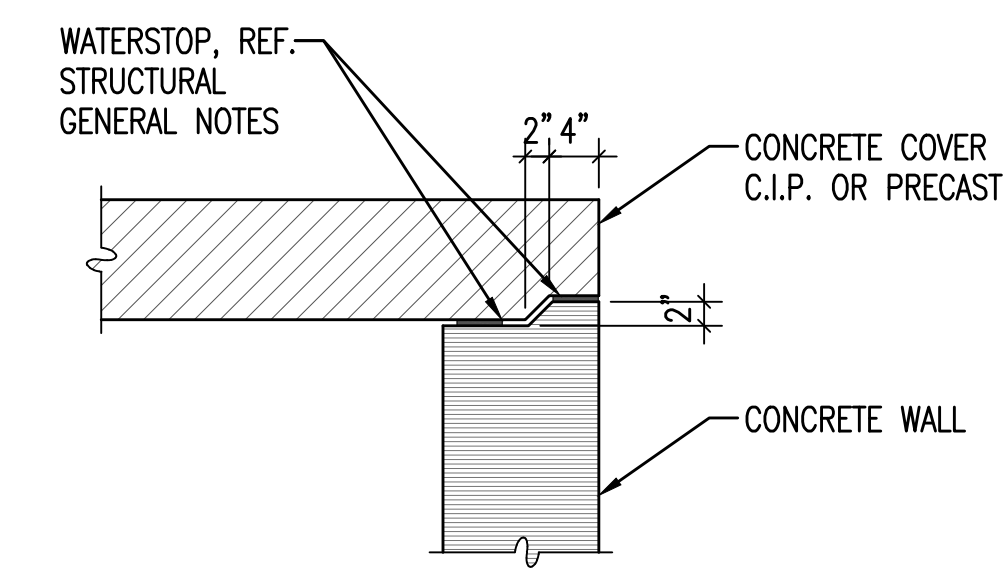
NOTE:
1. USE THIS DETAIL FOR ALL OPENINGS IN CONCRETE WALLS AND SLABS GREATER THAN 6", PROVIDE 2-#5 ON DIAGONAL AT EACH CORNER AS SHOWN. EXTEND BARS 2'-0" PAST OPENING. REPLACE ALL VERTICAL AND HORIZONTAL BARS INTERRUPTED BY THE OPENING WITH AN EQUAL NUMBER AND SIZE BARS EVENLY DIVIDED ON EACH SIDE OF THE OPENING UNLESS NOTED OTHERWISE.
2. REFER TO PLANS FOR OPENING LOCATIONS.

5 WALL/SLAB OPENING REINFORCING
NO SCALE



NOTE:
REINFORCING SHOWN APPLIES TO TOP, BOTTOM AND INTERMEDIATE BARS IN CONCRETE WALLS UNLESS NOTED OTHERWISE.

6 CORNER AND INTERSECTION REINF.
NO SCALE



7 COVER JOINT
3/4"=1'-0"

		Revision: _____ By: _____ Date: _____	
WATERLINE MODIFICATIONS VALVE VAULT AND WATERLINE RECONNECTIONS AT MCLEAN AND EXPOSITION STRUCTURAL PLANS AND DETAILS VALVE VAULT GARY JANZEN, P.E. - CITY ENGINEER CITY OF WICHITA PROJECT NO. 448-			
PROFESSIONAL ENGINEERING CONSULTANTS, P.A. 303 SOUTH TOPEKA WICHITA, KS 67202 316-262-2891 www.pec1.com			
Designed by	DKC	Job No.	35-160312-14-42
Drawn by	DKC	Date	JULY 2018
			Sht. S2 of 34