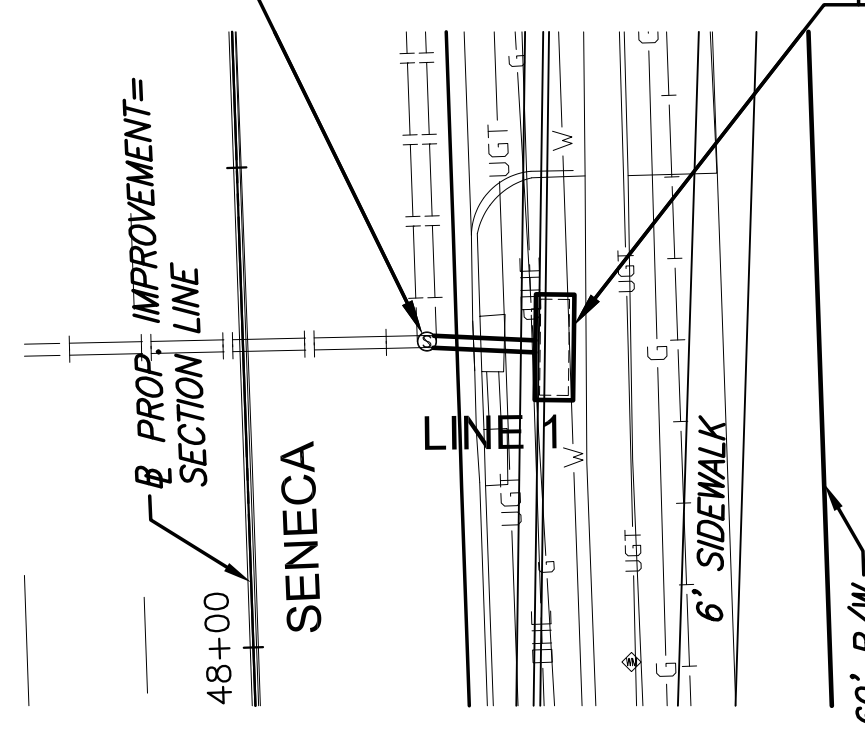


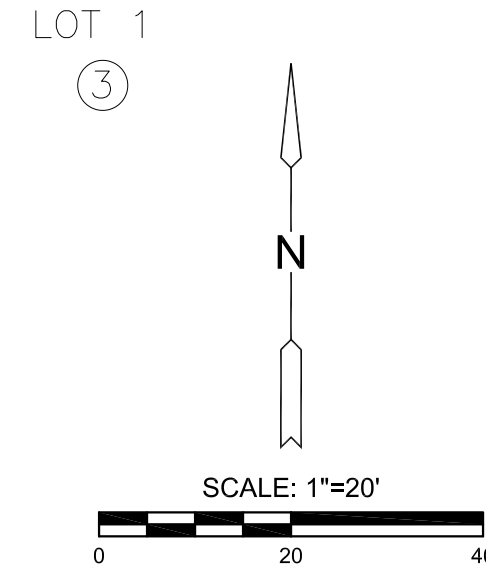
J:\PROJECTS\2017\10101043_LANES_STEEPLE_BAY_1743_CADD\SHS\06_CIVIL\SENECA_STREET_IMPROVEMENTS\1743_SENECA_DP01.DWG
 PLOTTED: Friday, December 28, 2018 @ 10:12AM

STA. 10+00.0, SWS LINE 1=
 ST. STA. 48+31.22, 19.17' RT.
 EXIST. MAINHOLE
 TOP=1277.40
 (1-0)

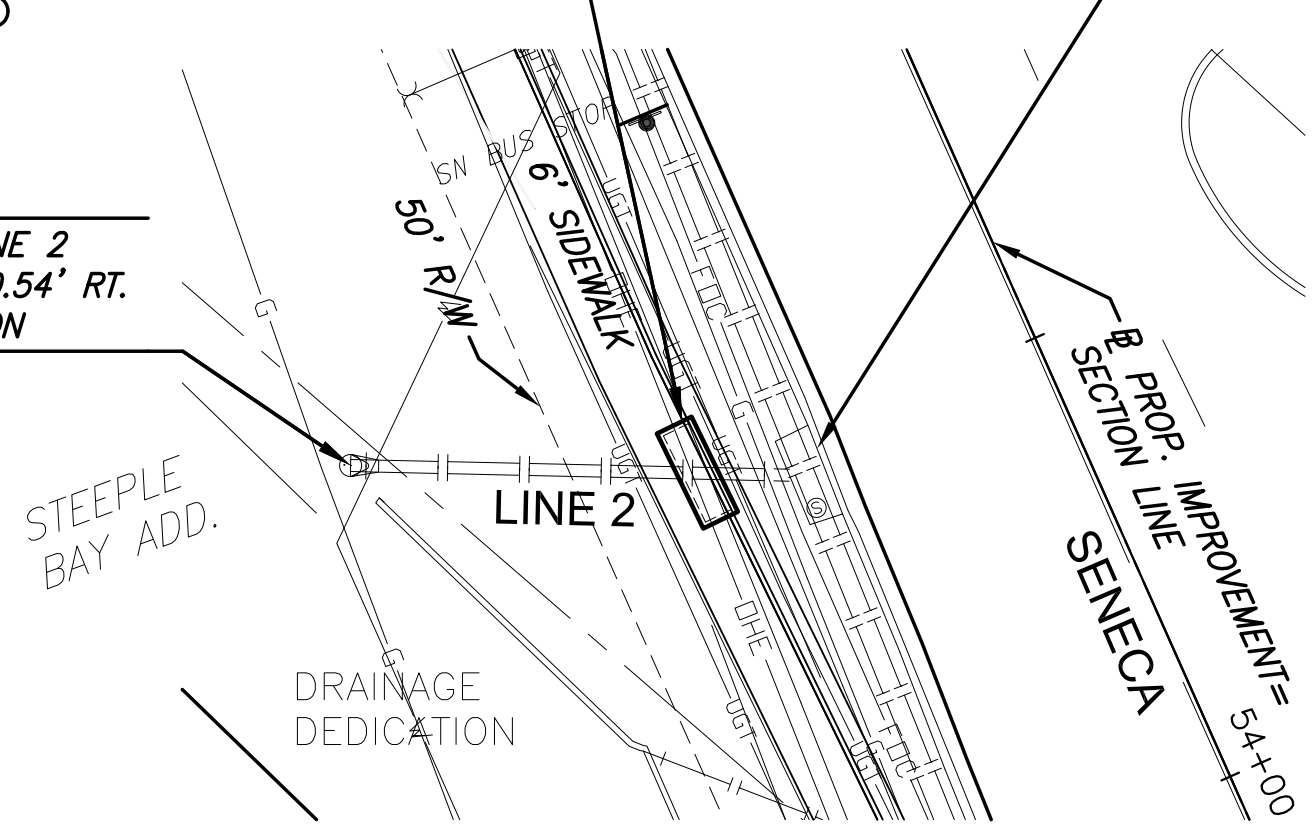


STA. 10+13.3, SWS LINE 1=
 ST. STA. 48+30.16, 32.43' RT.
 CONST. TYPE 1 CURB INLET
 L=10', W=3'
 INLET TOP=1277.60
 SEE SH. NO. 11,12,13
 (1-1)

STEEPLE BAY ADD.



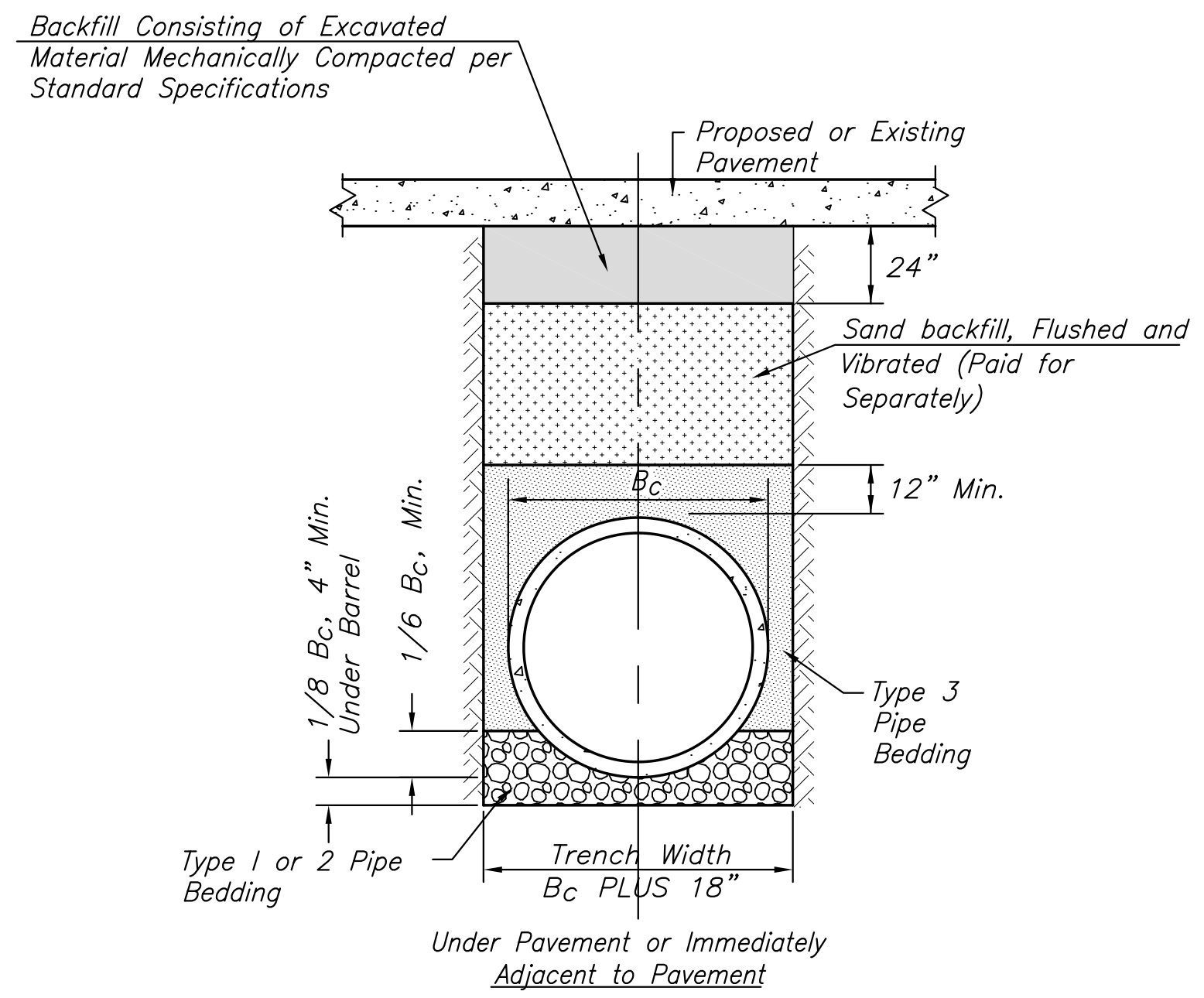
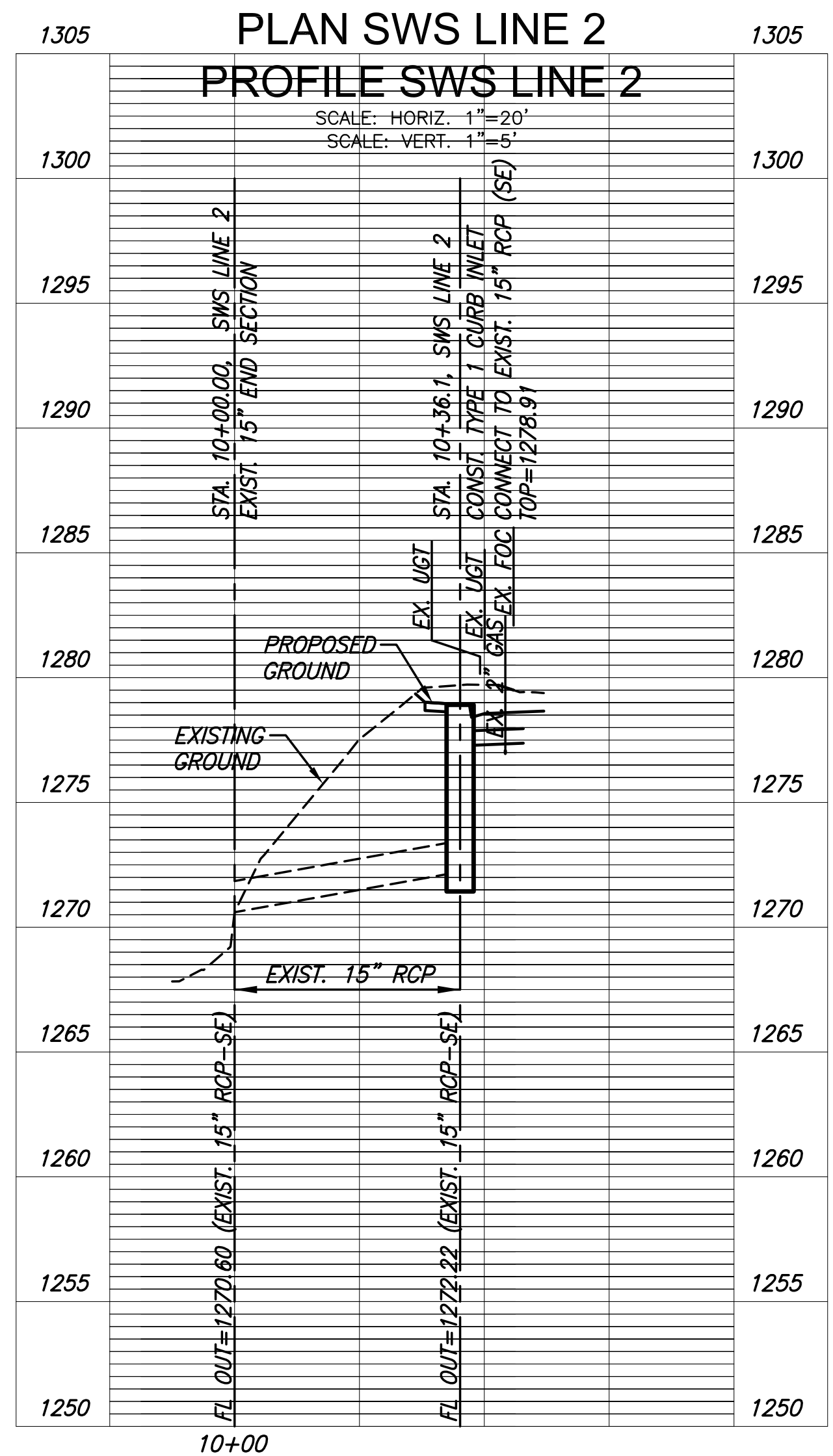
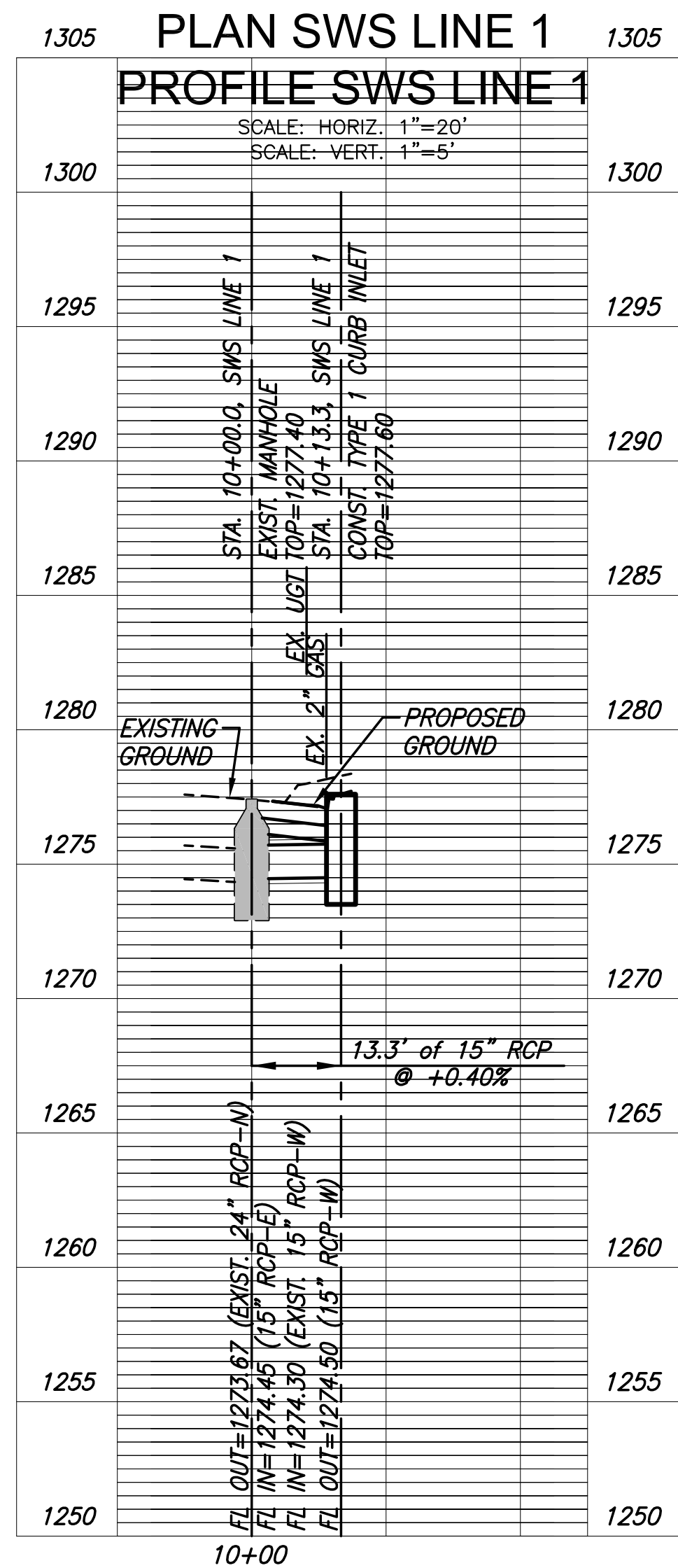
STA. 10+36.1, SWS LINE 2
 ST. STA. 53+48.52, 37.84' RT.
 CONST. TYPE 1 CURB INLET
 L=10', W=3'
 INLET TOP=1278.91
 SEE SH. NO. 11,12,13
 (2-1)



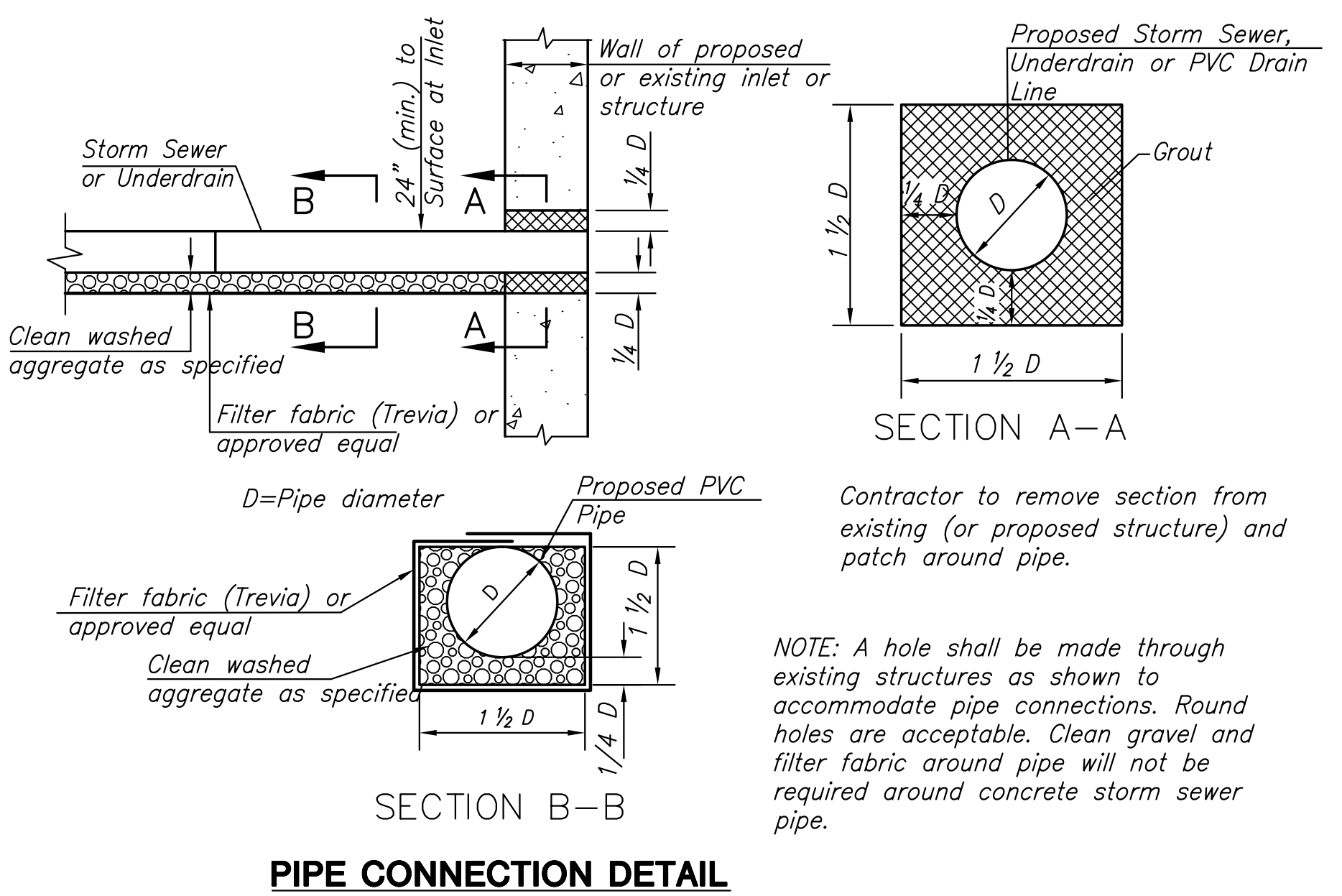
NOTE: THE EXISTING 24" RCP RUNNING
 NORTH/SOUTH DOES NOT CONNECT TO
 THE EXISTING INLET BUT APPARENTLY
 PASSES UNDER THE INLET.

STA. 10+00.0, SWS LINE 2
 ST. STA. 53+33.16, 70.54' RT.
 EXIST. 15" END SECTION
 (2-0)

STEEPLE BAY ADD.
 DRAINAGE DEDICATION



STORM SEWER TRENCH DETAILS



©2018
 MKEC Engineering
 All Rights Reserved
 www.mkec.com
 These drawings and their contents, including, but not limited to, all concepts, designs, & ideas are the exclusive property of MKEC Engineering (MKEC), and may not be used or reproduced in any way without the express consent of MKEC.

STORM SEWER LINE 1 AND LINE 2

PROJECT NO.	472-85451
DATE	1/02/19
SCALE	1"=20'
DESIGNED	JRA
DRAWN	WNJ
CHECKED	JRA

NO.	REVISION	DATE