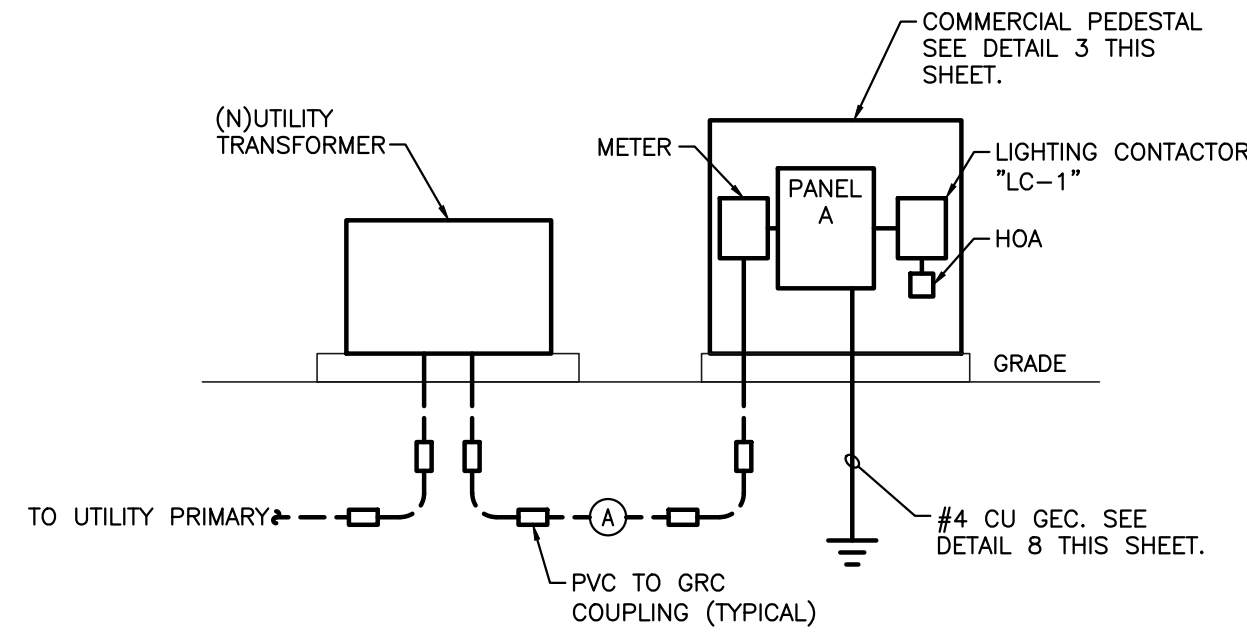
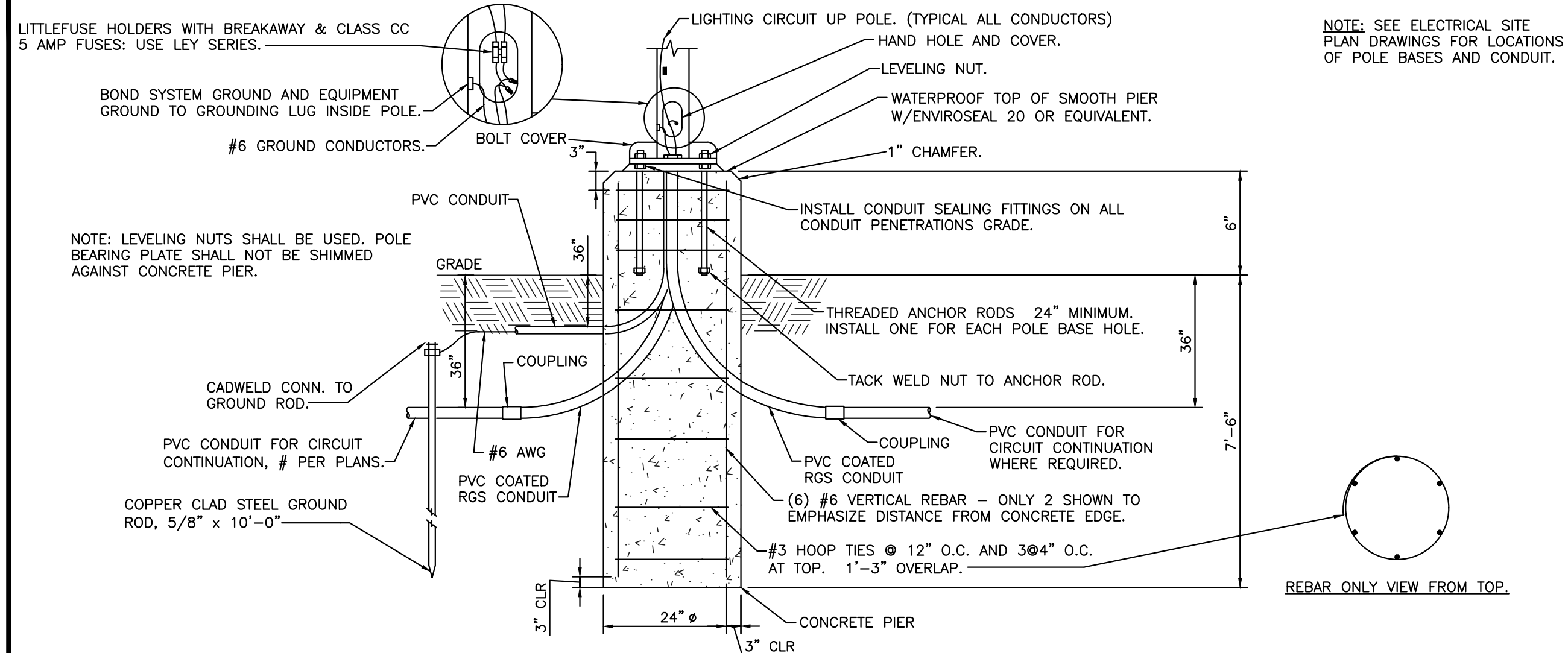


FEEDER SCHEDULE

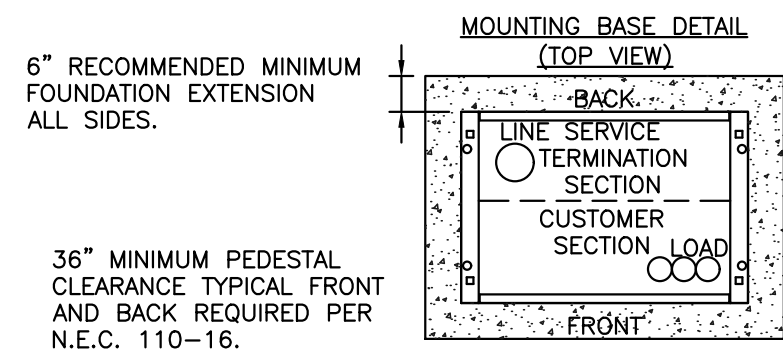
(A)	(4)-#3/0, 3°C.
-----	----------------



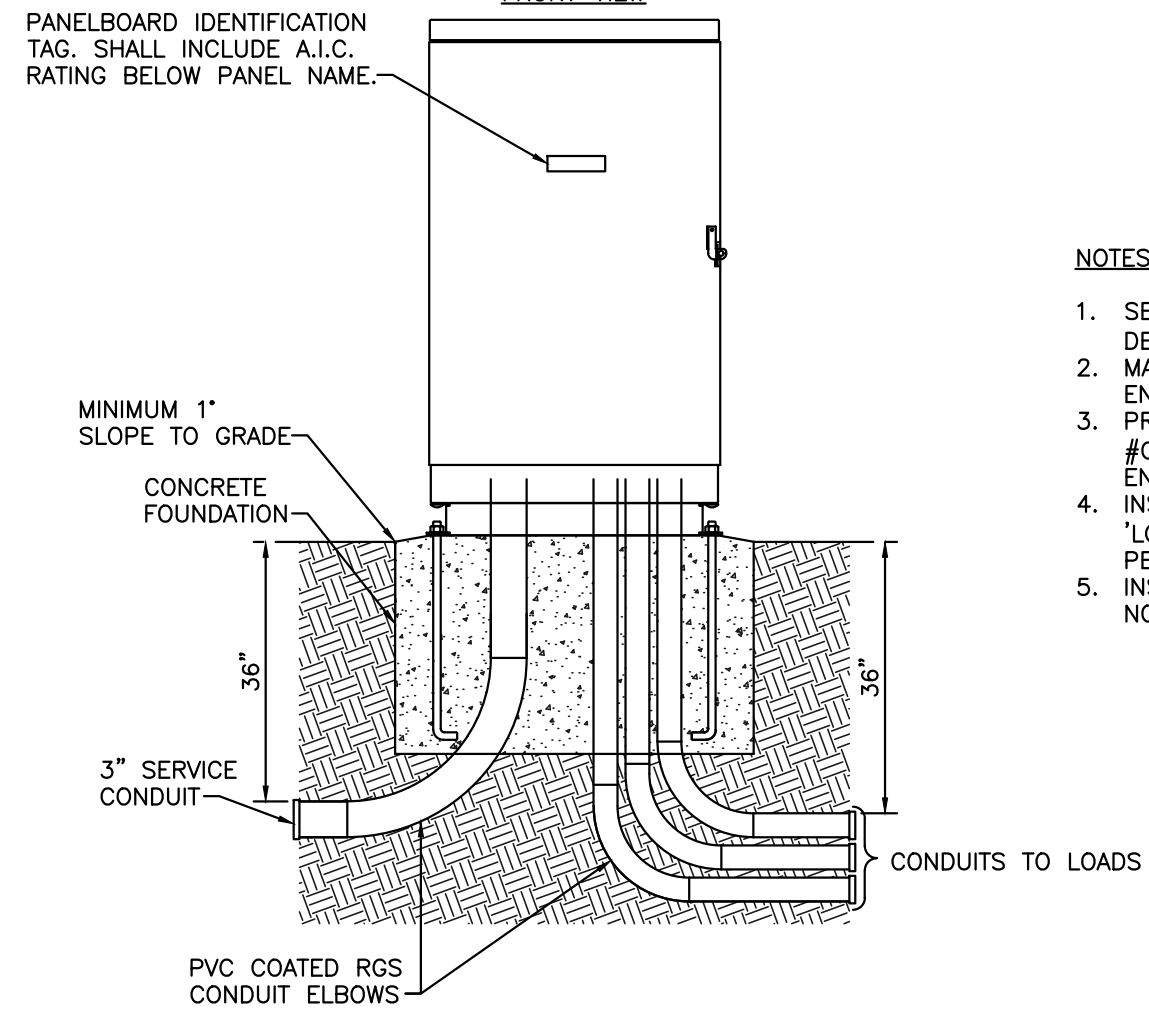
1 PANEL 'A' ONE-LINE DIAGRAM
NO SCALE



2 POLE BASE DETAIL
NO SCALE

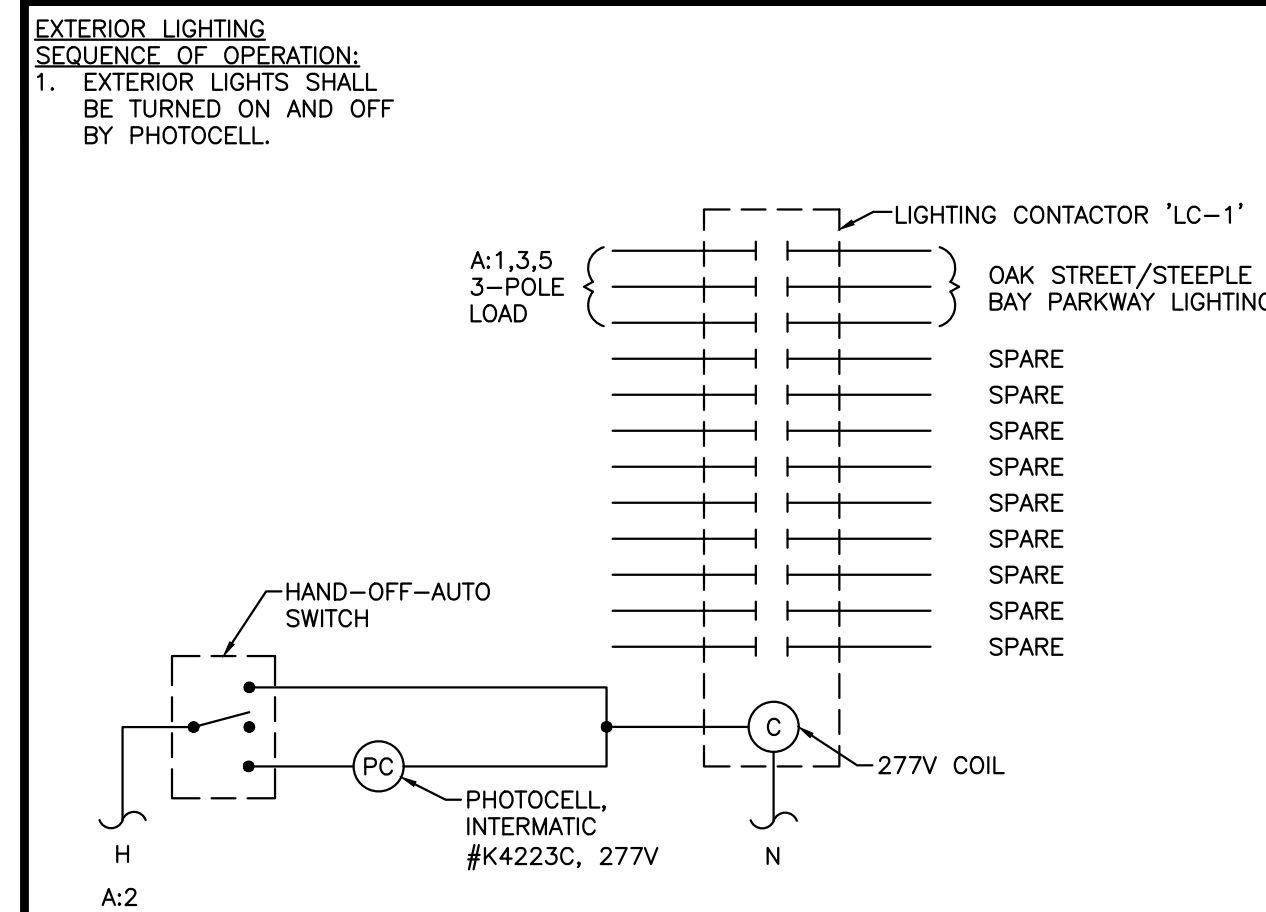


- IDENTIFICATION NOTES:**
- 3" X 3-1/2" NAMEPLATES TO BE INSTALLED PER N.E.C.-210-40 WITH 1/4" LETTERS ON WHITE BACKGROUND; FIELD RIVET TO PANEL COVER IN UPPER RIGHT HAND CORNER.
 - ELECTRICAL CONTRACTOR SHALL PURCHASE AND INSTALL IDENTIFICATION TAGS ON ELECTRICAL PANELS AS SHOWN.

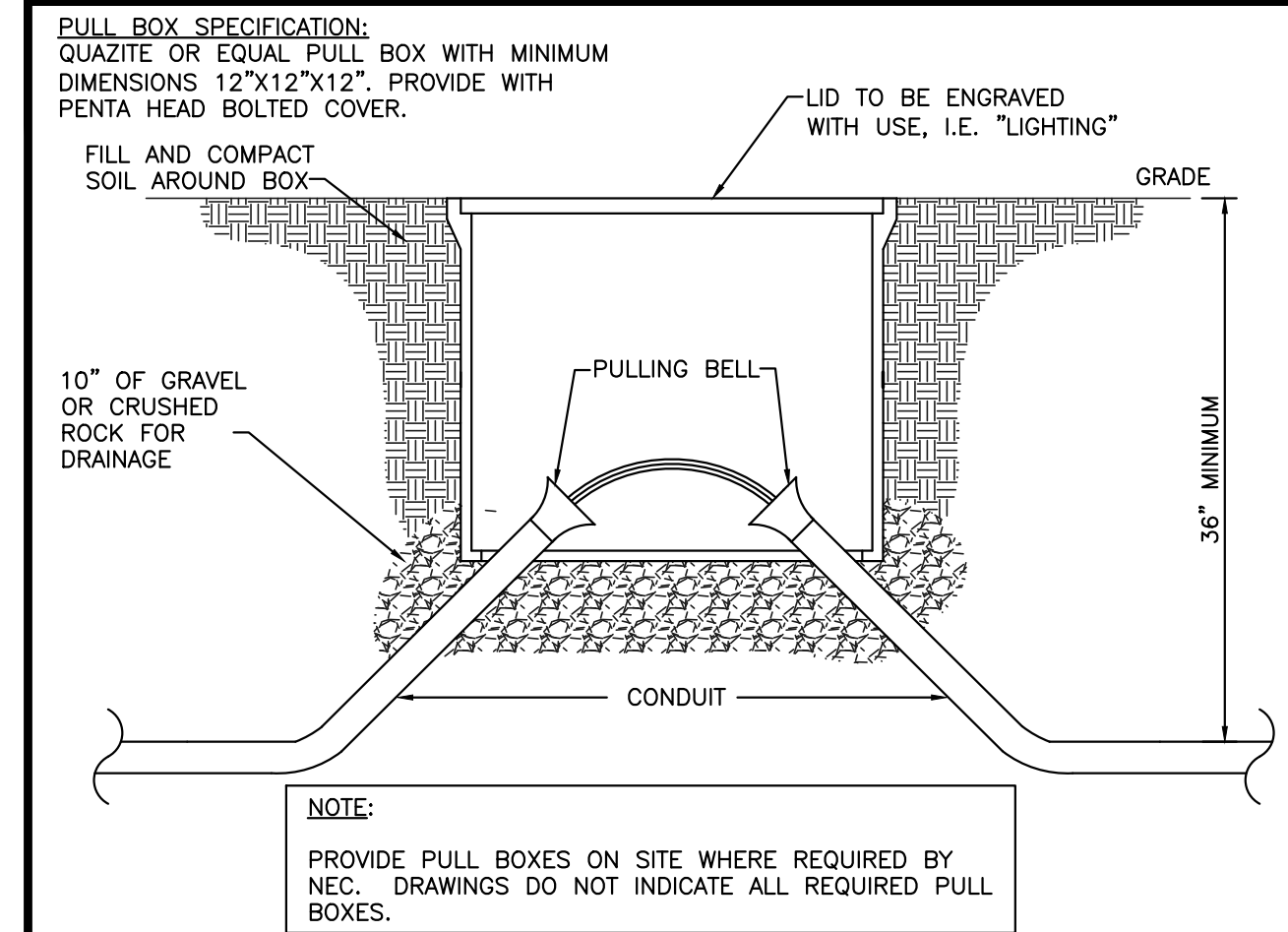


- NOTES:**
- SEE ONE-LINE DIAGRAM, DETAIL #1 THIS SHEET.
 - MATCH SIZE OF PAD WITH ENCLOSURE PROVIDED.
 - PROVIDE MILLBANK PEDESTAL #CP3B-0-2-8-1-D OR ENGINEER APPROVED EQUAL.
 - INSTALL LIGHTING CONTACTOR 'LC-1' AND PANEL 'A' IN PEDESTAL.
 - INSTALL PHOTOCELL ON NORTH SIDE OF PEDESTAL.

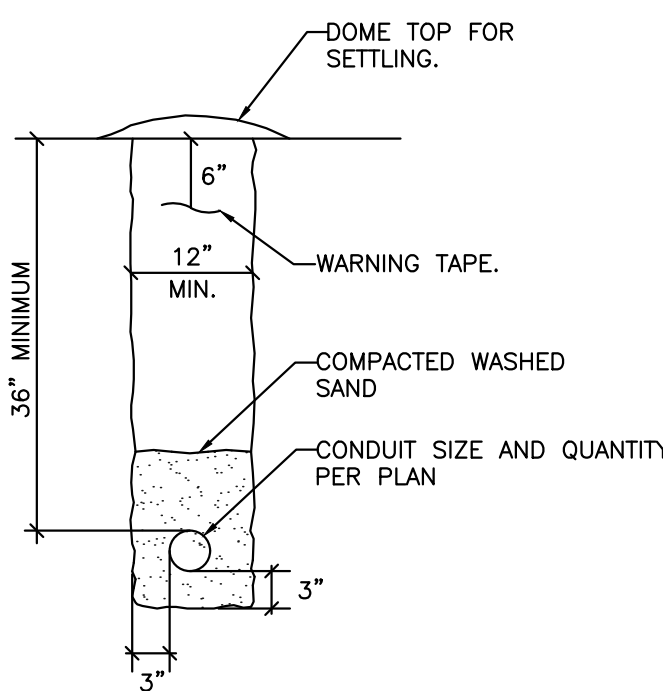
3 COMMERCIAL PEDESTAL INSTALLATION DETAIL
NO SCALE



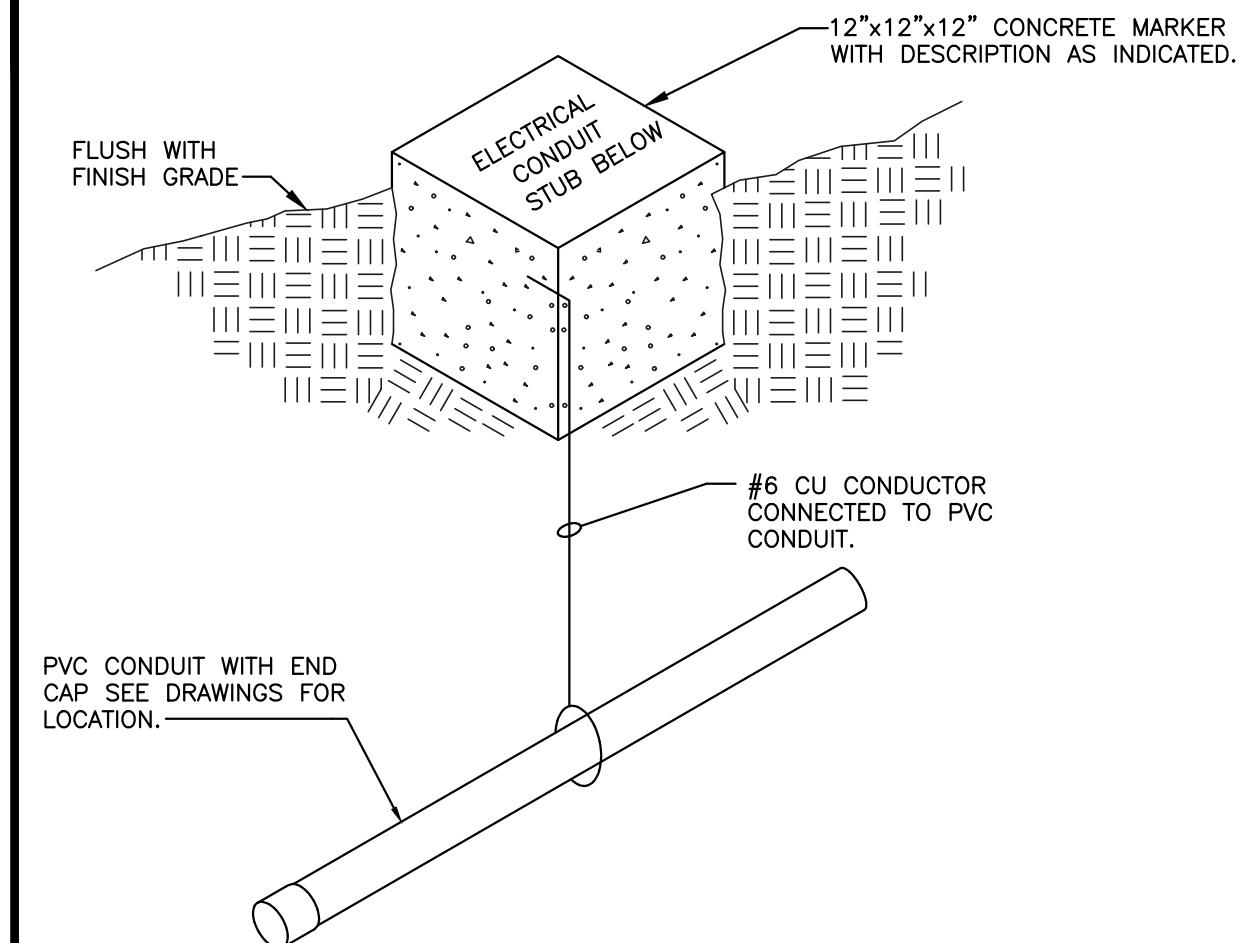
4 LIGHTING CONTACTOR CONTROL DETAIL - "LC-1"
NO SCALE



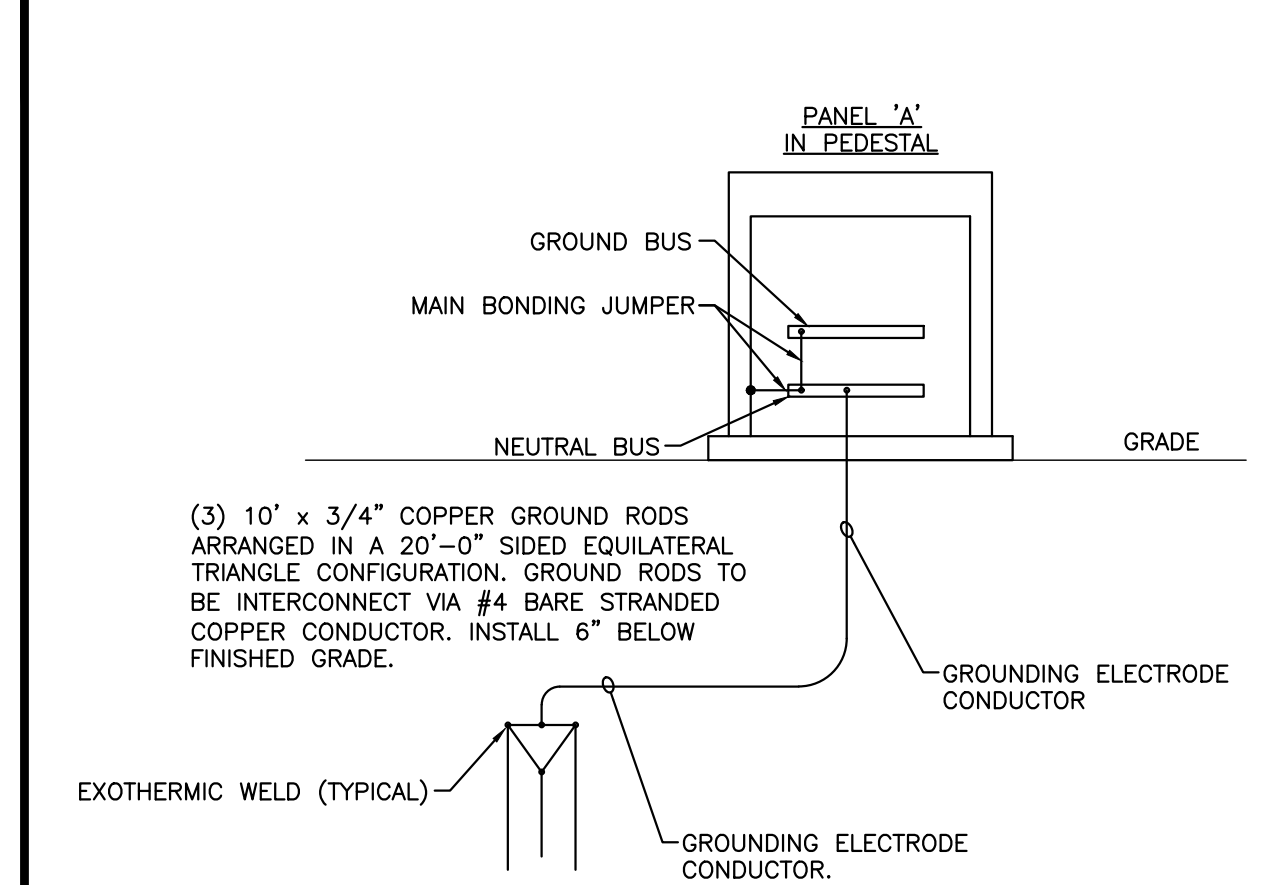
5 PULL BOX DETAIL
NO SCALE



6 TYPICAL CONDUIT TRENCH CROSS SECTION
NO SCALE



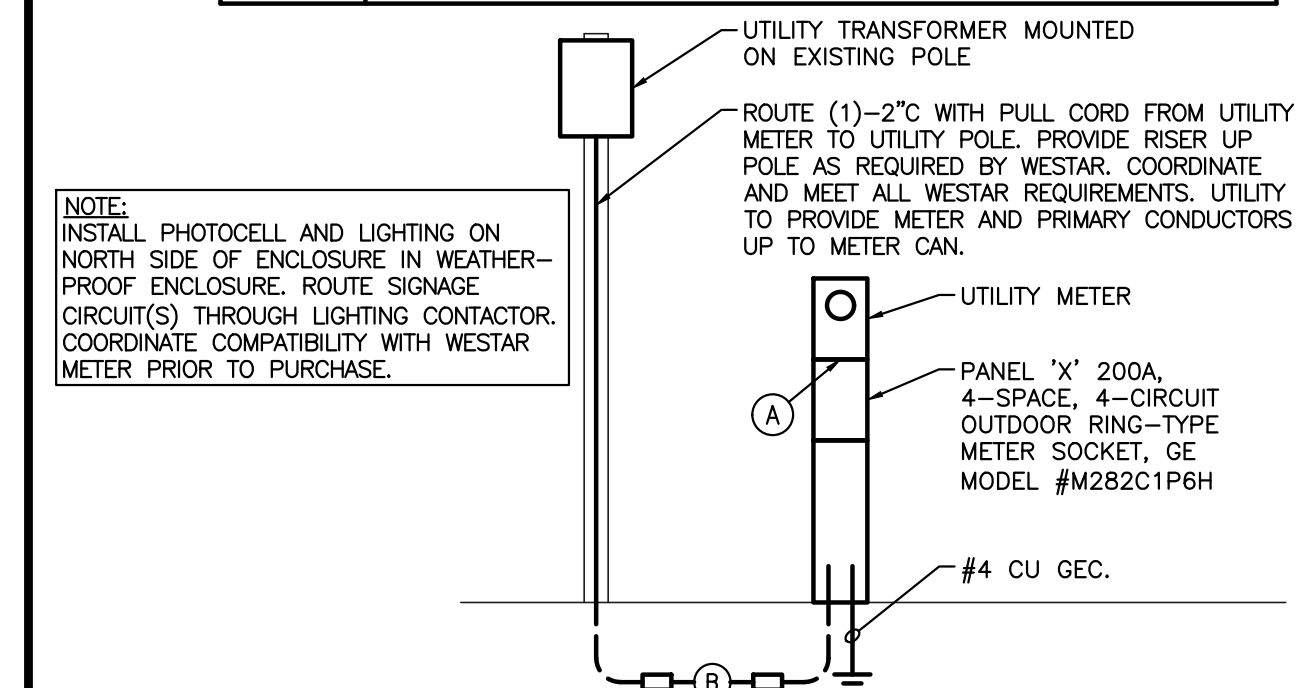
7 CONDUIT MARKER DETAIL
NO SCALE



8 MAIN SERVICE ENTRANCE GROUNDING DETAIL
NO SCALE

FEEDER SCHEDULE

(A)	(3)-#1, 3°C. (INSTALL IF REQUIRED.)
(B)	3°C.



9 PANEL 'B'/'C' ONE-LINE DIAGRAM
NO SCALE



©2019 MKEC Engineering All Rights Reserved www.mkec.com
These drawings and their contents, including, but not limited to, all concepts, designs, & ideas are the exclusive property of MKEC Engineering (MKEC), and may not be used or reproduced in any way without the express consent of MKEC.

ELECTRICAL DETAILS

PROJECT NO.	472-85453	
DATE	DEC 2018	
SCALE	NO SCALE	
DESIGNED	DRAWN	CHECKED
CNG	ECW	JRBW

SHEET NO. 05 OF 07