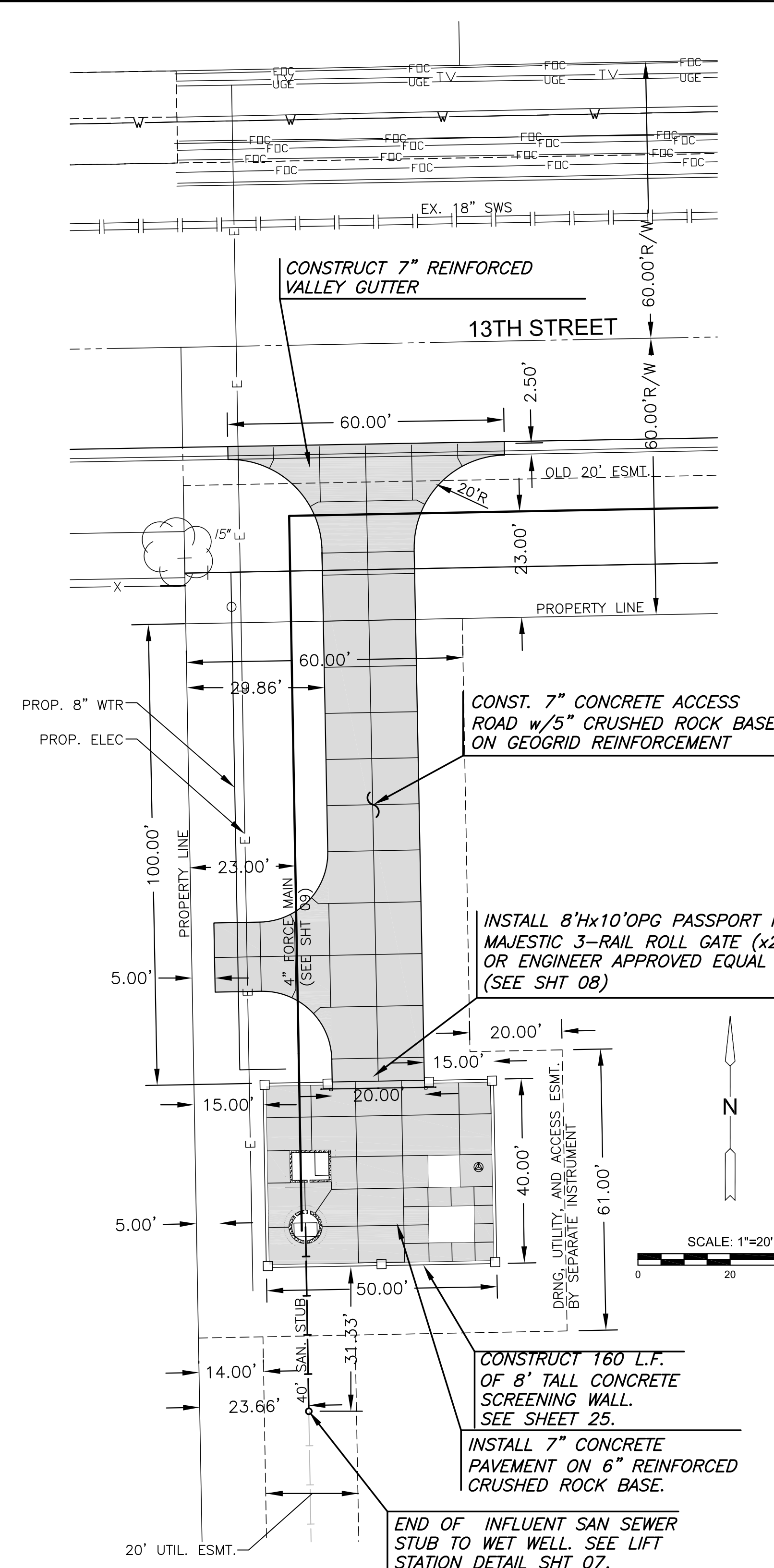
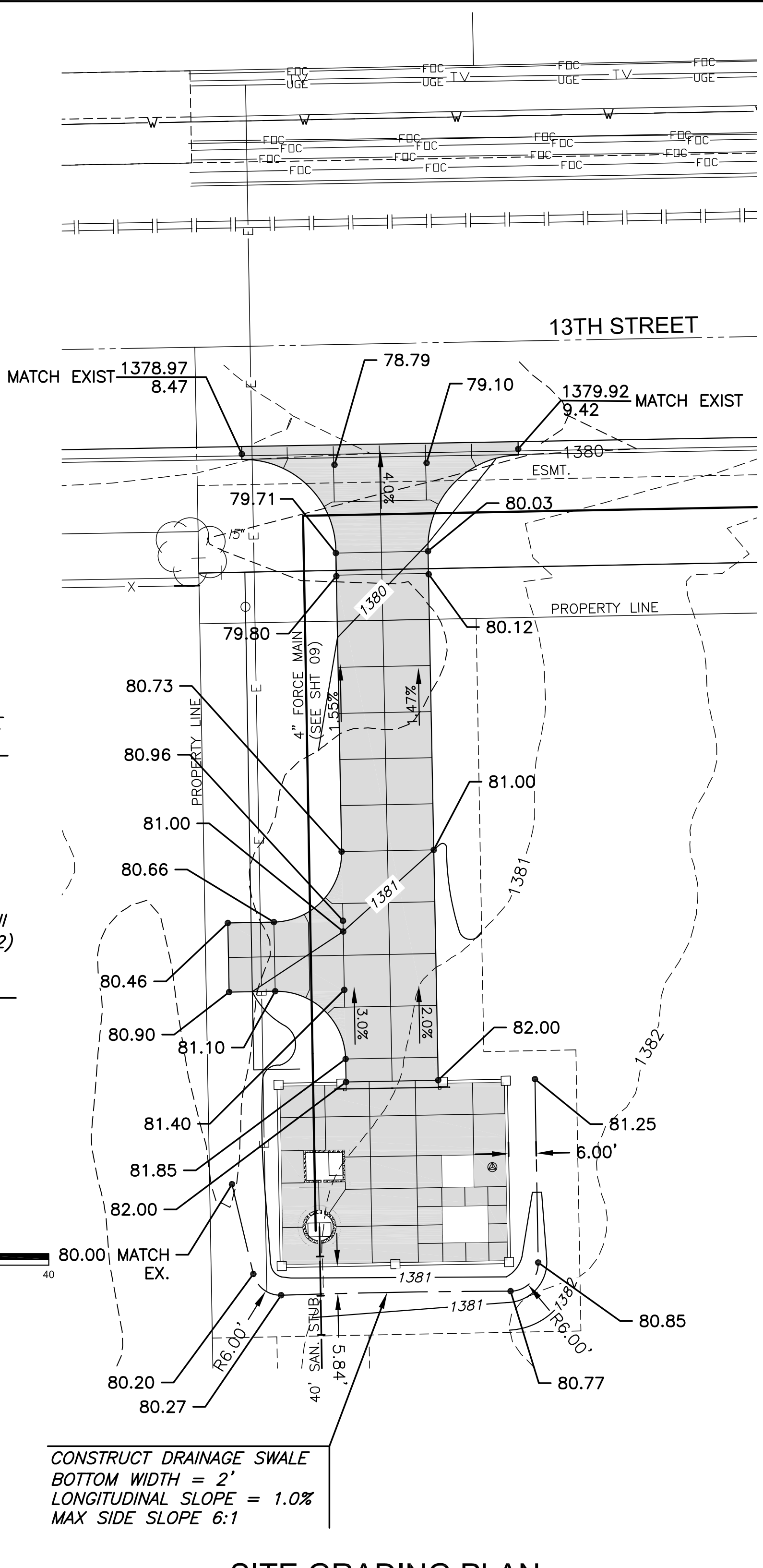


PLOT123: Wednesday, January 16, 2019 @ 11:46AM



SITE DIMENSION & SURFACING PLAN

SCALE: 1" = 20"

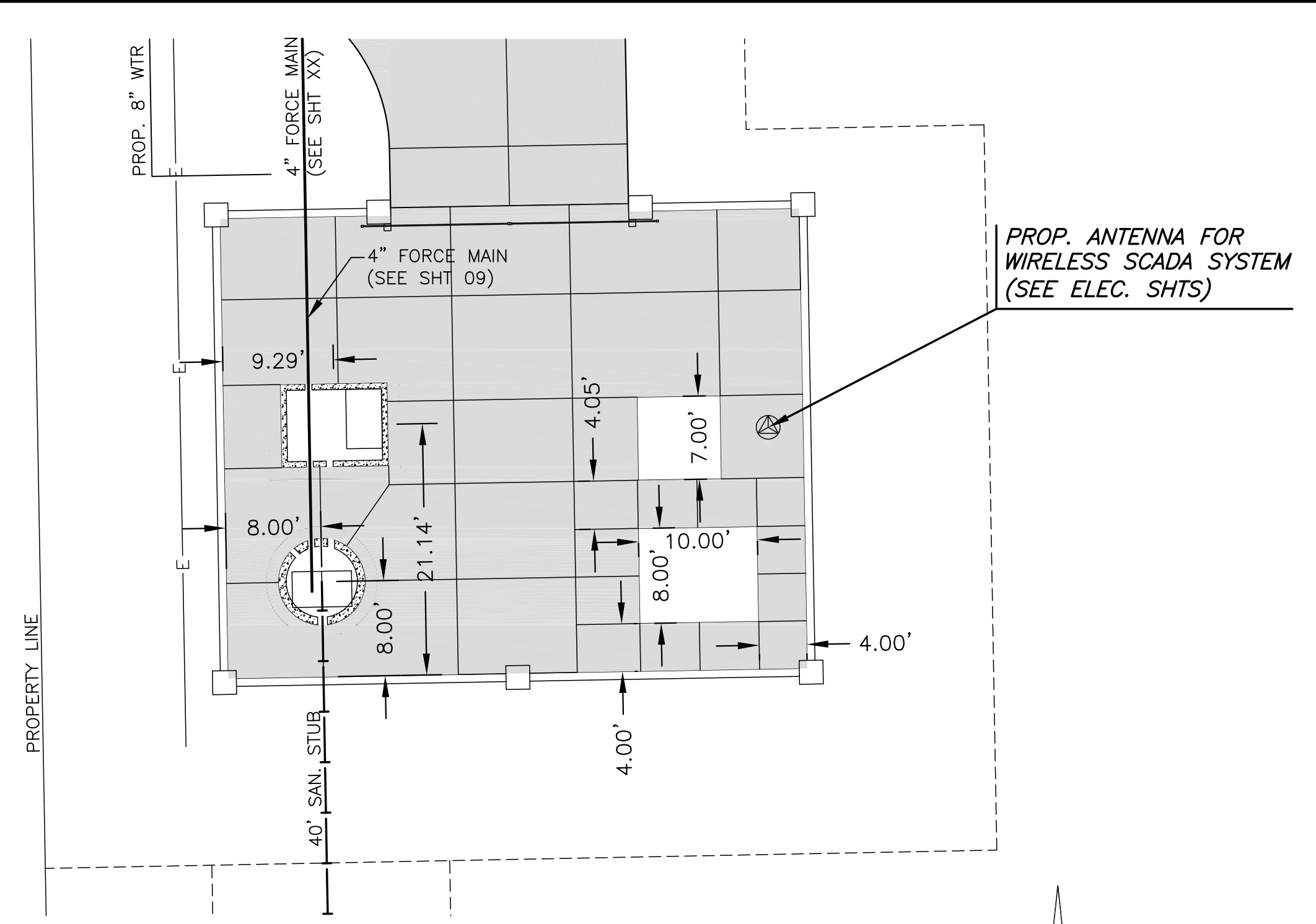


SITE GRADING PLAN

SCALE: 1" = 20"

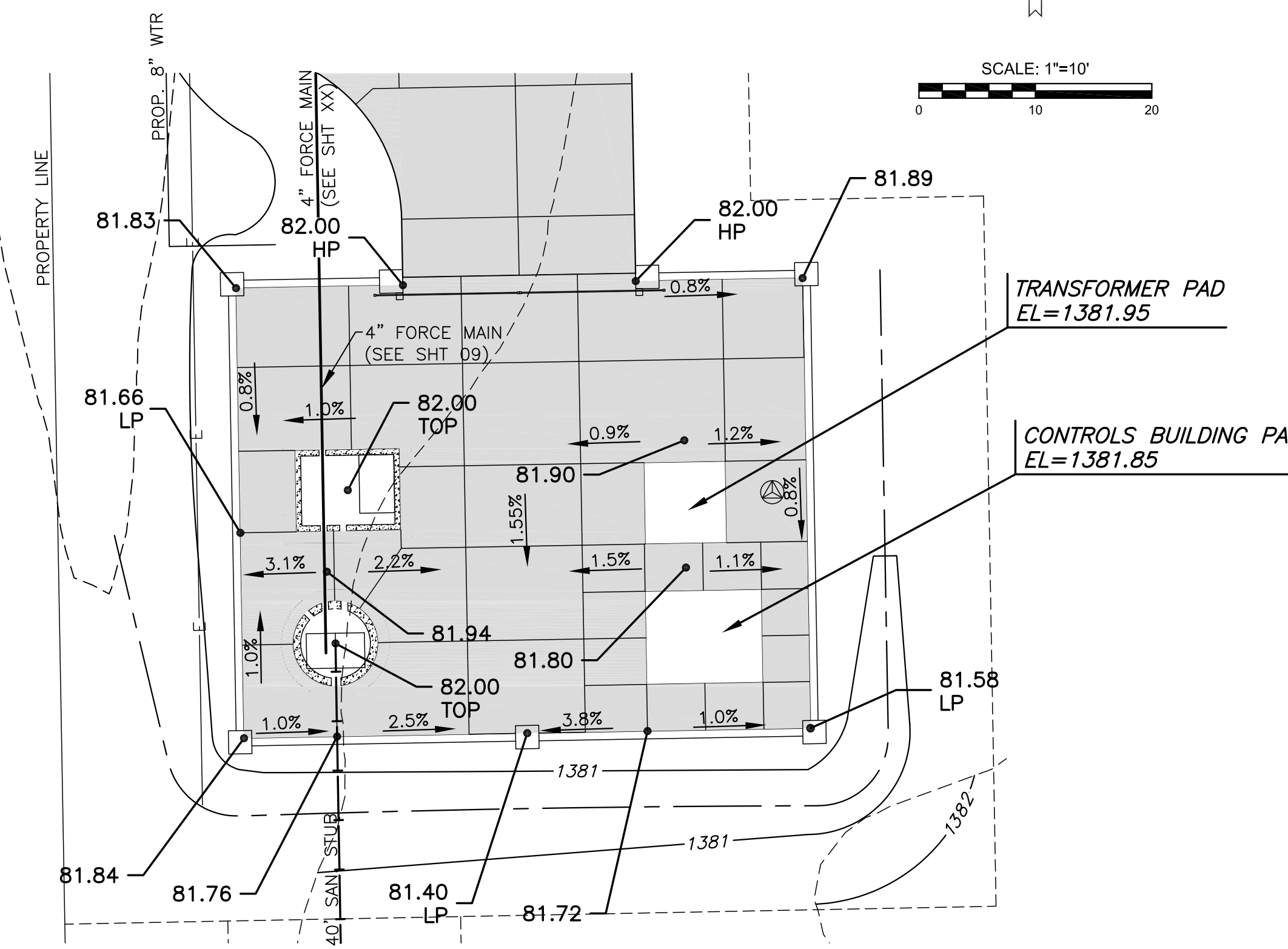
GRADING NOTES:

1. 1.5' X 6" OPENINGS SHALL BE INSTALLED AT THE BOTTOM OF THE WALL AT ALL LOW POINTS TO ALLOW STORMWATER TO EXIST THE CONCRETE PAD.
2. THE DRAINAGE SWALE SHALL BE COVERED WITH A TENSAR SC150 TRM OR APPROVED EQUAL AND SEEDED IN ACCORDANCE WITH MANUFACTURES RECOMMENDATIONS.
3. ALL DISTURBED AREAS SHALL BE SEEDED WITH FESCUE, FERTILIZED AND MULCHED IN ACCORDANCE WITH COW STANDARD SPECIFICATIONS SECTION 902. TEMPORARY SEEDING SHALL BE USED IF SEEDING OPERATIONS ARE OUTSIDE OF DOCUMENTED SEEDING SEASON. CONTRACTOR TO WATER THE SITE UNTIL GRASS IS ESTABLISHED.
4. TOP SOIL AND SOIL SPOILS WILL BE DISPOSED OF ON-SITE. LOCATION OF STOCK PILES SHALL BE APPROVED BY THE OWNER.



LIFT STATION DIMENSION PLAN

SCALE: 1" = 10"



LIFT STATION GRADING PLAN

SCALE: 1" = 10"



**LIFT STATION & FORCE MAIN FOR
VERANDA ADDITION
WICHITA, KANSAS**

©2019 MKEC Engineering All Rights Reserved www.mkec.com
These drawings and their contents, including, but not limited to, all concepts, designs, & ideas are the exclusive property of MKEC Engineering (MKEC), and may not be used or reproduced in any way without the express consent of MKEC.

SITE PLAN

PROJECT NO.	468-85386	
DATE	JAN 2019	
SCALE	AS NOTED	
DESIGNED	DRAWN	CHECKED
AJK	AJK	MAB

NO.	REVISION	DATE

SHEET NO.



J:\PROJECTS\2018\1801010816_COW_SS_MAIN\1_VERANDAADD_18816_CAD\SHS\05_CIVIL\SITE PLAN.DWG