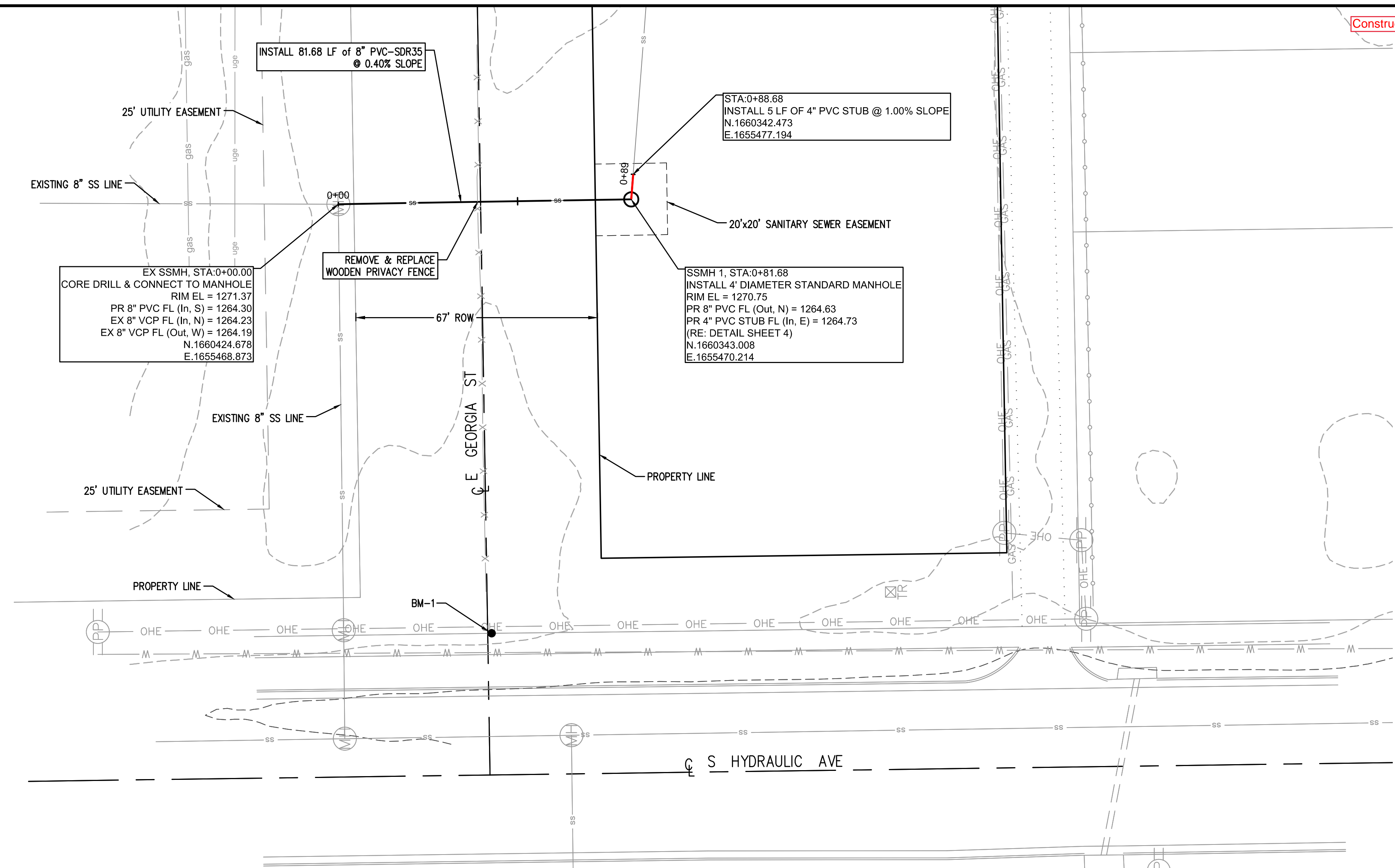






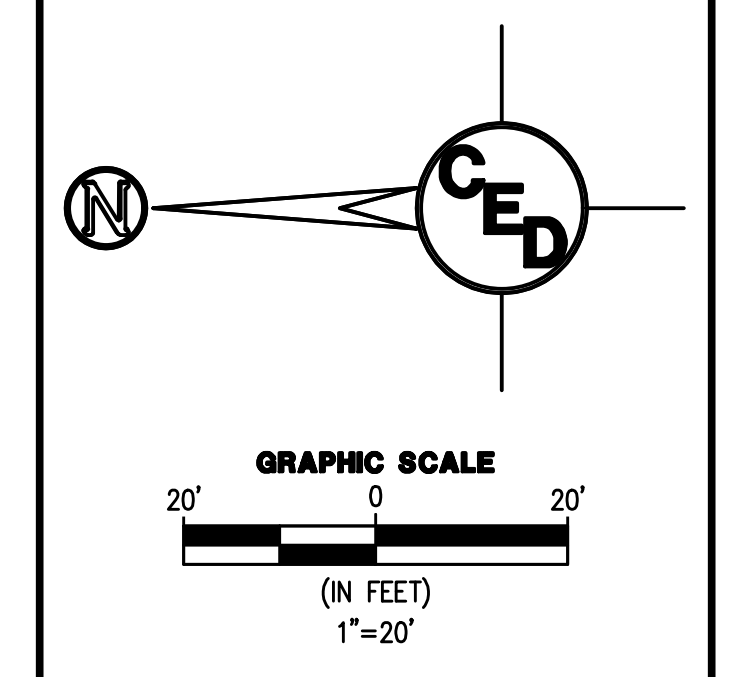


UTILITIES SHOWN REPRESENT THE BEST INFORMATION AVAILABLE FOR DESIGN. ADDITIONAL UTILITIES MAY BE PRESENT ON THIS PROJECT. THE CONTRACTOR SHALL BE RESPONSIBLE FOR DETERMINING THE EXACT LOCATION, DEPTH AND SIZE OF ALL UNDERGROUND UTILITIES PRIOR TO CONSTRUCTION. THE CONTRACTOR SHALL BE LIABLE FOR ANY DAMAGE CAUSED BY THE FAILURE TO DO SO.



Constructed as Designed

REV.	DESCRIPTION	DATE



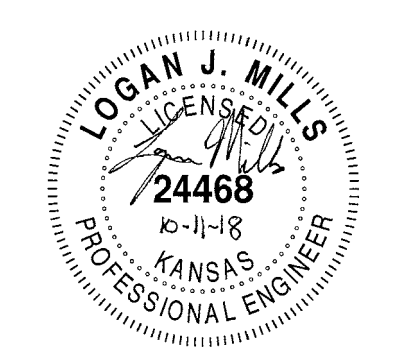
SANITARY SEWER IMPROVEMENTS

CHICAS ADDITION  
WICHITA, SEDGWICK COUNTY, KS

CERTIFIED ENGINEERING DESIGN, P.A.  
CIVIL ENGINEERING SERVICES



1935 WEST MAPLE STREET  
WICHITA, KANSAS 67213  
PH.(316)262-8808 FAX.(316)262-1669



PROJECT NO.: 20182505  
ISSUE DATE: 10/01/18  
CONTACT: L. MILLS / H. FORAKER  
CHECKED BY: L. MILLS

SS LINE NO. 1 PLAN & PROFILE

FILE LOCATION: S:\Drawing\_Files\Projects\20182505\DWG\Chicas Addition - PPS.dwg; TAB NAME: LINE 1; PAPER: USER: emp2; SA: 10/1/18 10:10 AM; PLOTTED: 10/18/2018 10:11 AM

SS Line No. 1

