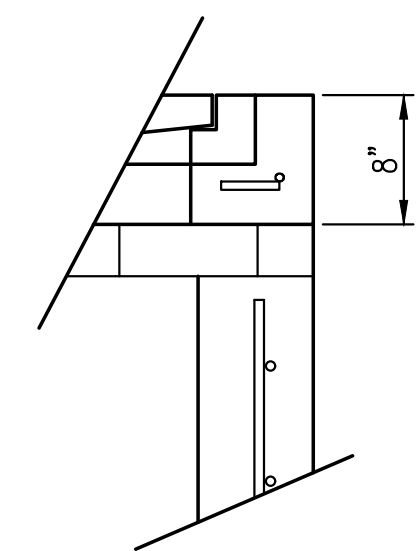
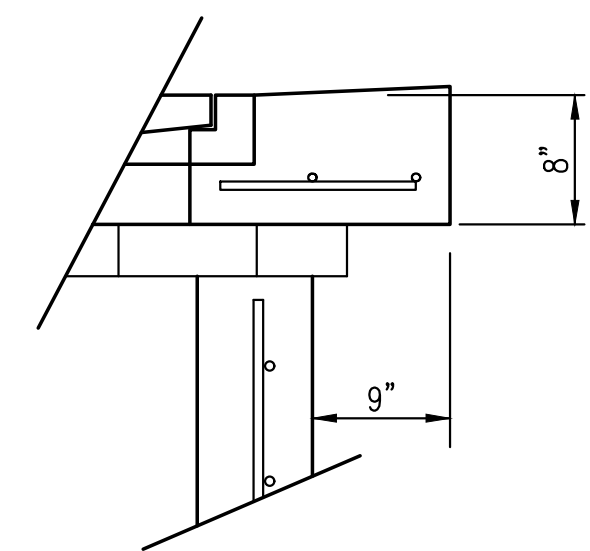


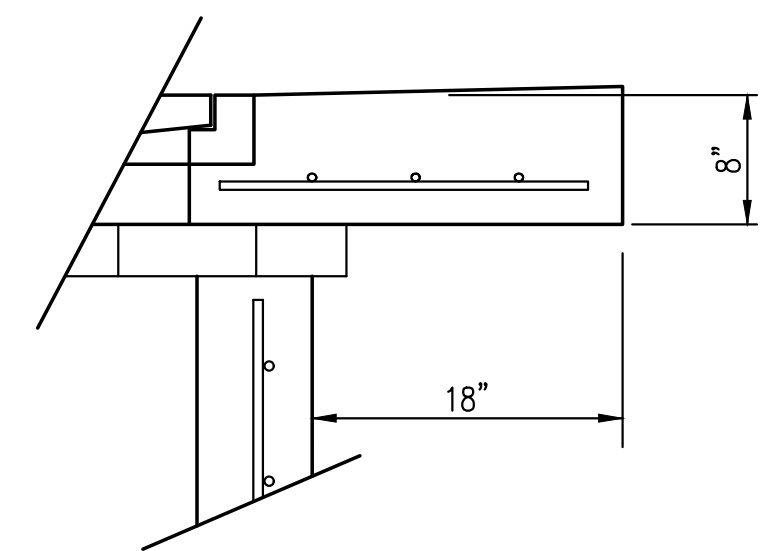
TOP VIEW



FLUSH STYLE TOP  
NO APRON



9" APRON



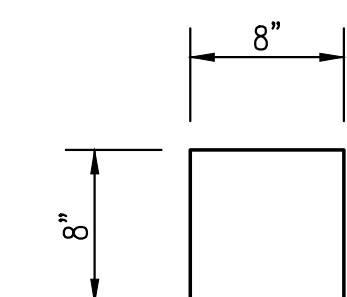
18" APRON

\* APRON TO EXTEND ON ALL 4 SIDES OF INLET.  
DESIGNER TO DESIGNATE APRON SIZE.

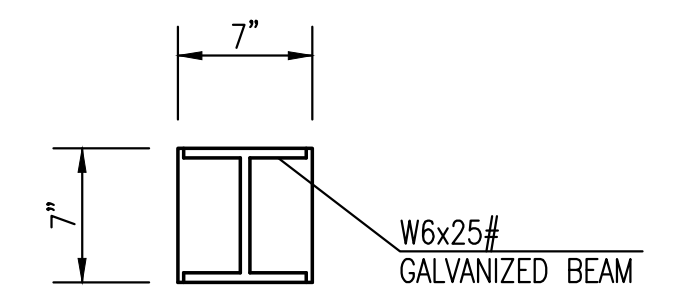
W=4'-4" and L=4' for DOUBLE DROP INLET

The structure(s) on this detail sheet are designed for HS-20 loading at these specific dimensions only. If larger dimensions are required, the ENGINEER shall provide a project specific structure design for approval by the City Engineer's office.

BEAM REQUIRED FOR THIS INLET



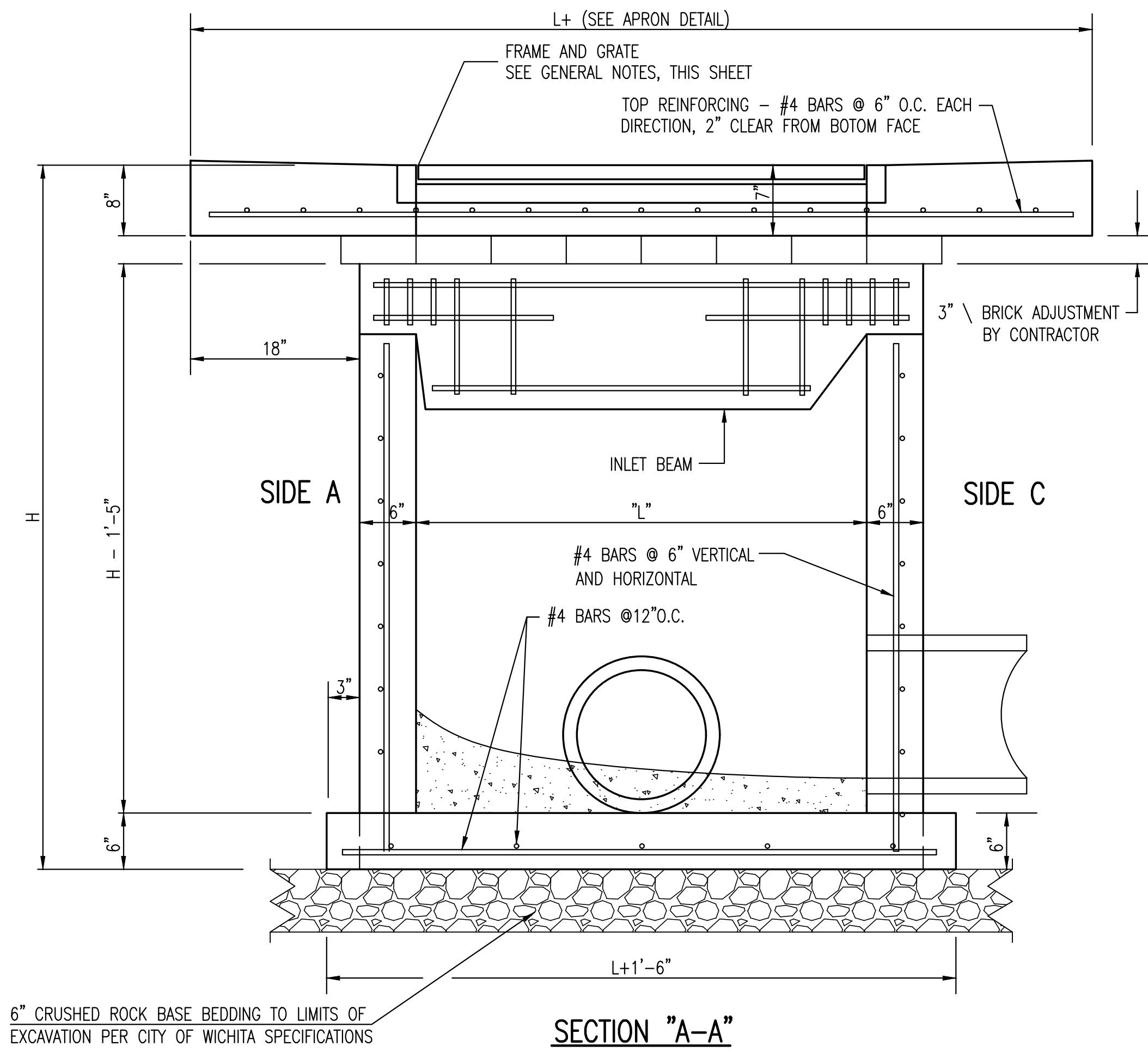
CONCRETE BEAM POCKET



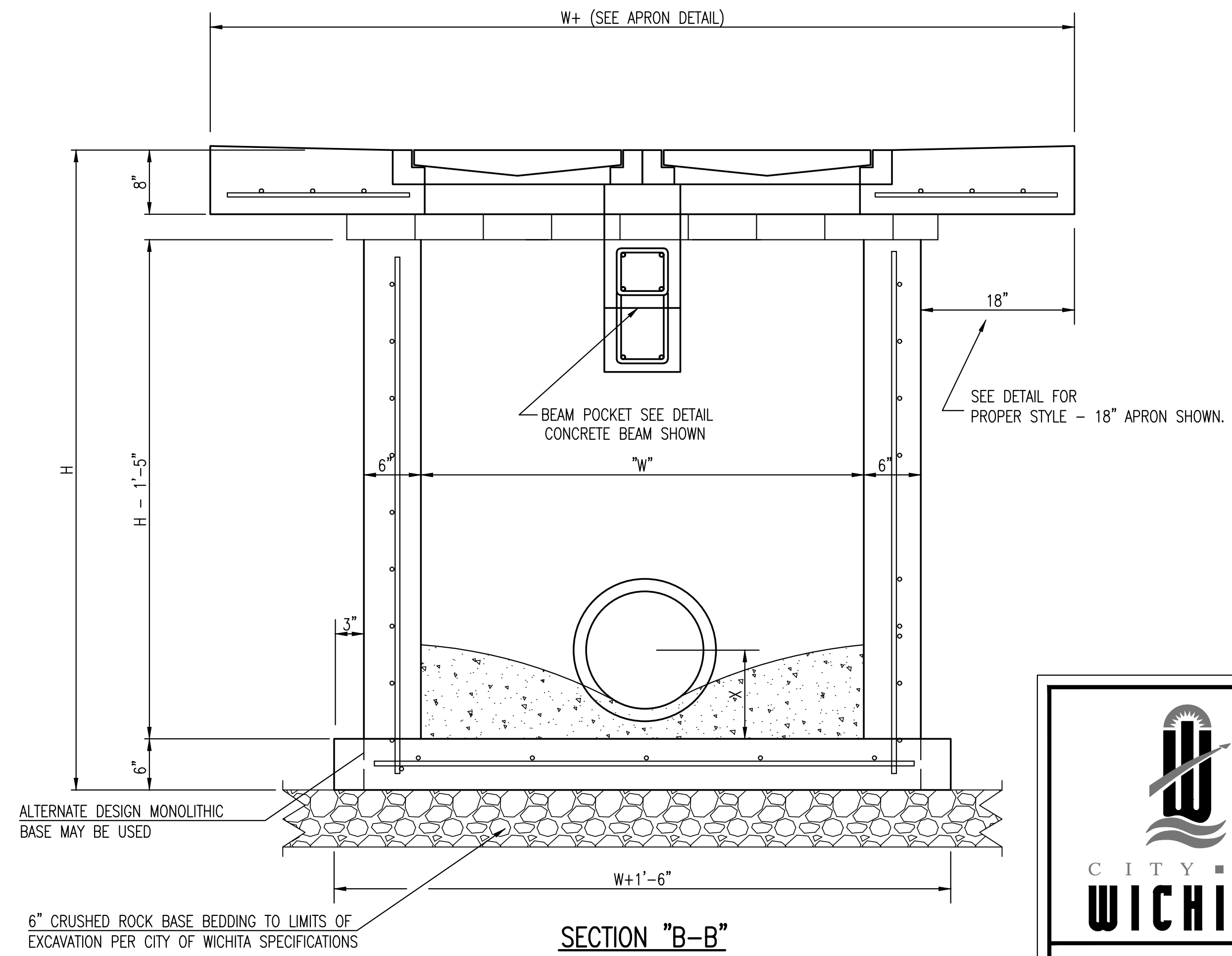
GALV. STEEL BEAM POCKET

GENERAL NOTES

1. GRATE FRAME TO BE INSTALLED ON THIN MORTAR CUSHION TO INSURE FULL SUPPORT ALONG BRICK. CONCRETE USED FOR INLET CONSTRUCTION SHALL CONFORM TO CITY OF WICHITA SPECIFICATIONS FOR CONCRETE PAVEMENT MIX.
2. INLET INVERT SHALL BE SHAPED WITH 8 SACK SAND MIX CONCRETE TO CREATE FLOW CHANNELS AND TO INCREASE HYDRAULIC EFFICIENCY SUCH THAT THE INLET WILL BE SELF CLEANING BETWEEN ALL INLET AND/OR OUTLET PIPES.
3. THE ENDS OF ALL PIPES INSTALLED IN INLETS SHALL BE CUT OFF FLUSH WITH THE INSIDE FACE OF THE INLET WALL.
4. INLET FRAME AND GRATE TO BE DEETER #2433, EJIW #5391-Z1 OR APPROVED EQUAL FOR 2'x2' SINGLE DROP INLET AND DEETER #2434, EJIW #5391 Z3 OR APPROVED EQUAL FOR 2'x4' DOUBLE DROP INLET.
5. CONTRACTOR SHALL REMOVE LIFTING HOOKS AFTER INSTALLATION. RECESSES IN INLET WALL SHALL BE GROUTED FLUSH TO THE INLET WALL WITH HYDRAULIC CEMENT AFTER THE INLET IS IN PLACE. LIFTING HOLES THRU THE INLET WALL WILL NOT BE ACCEPTED.



SECTION "A-A"



SECTION "B-B"



REVISED: MARCH 2015 <b>DOUBLE DOUBLE DROP INLET WITH BEAM</b> CITY ENGINEER <b>GARY JANZEN, P.E..</b>		
PROJECT NUMBER 472-85506	OCA NUMBER 766451	DATE FEB. 2019
CITY ENGINEER'S OFFICE CITY HALL - SEVENTH FLOOR 455 NORTH MAIN STREET WICHITA, KANSAS 67202-1620 (316) 268-4501		SHEET <b>11 OF 32</b>

Saved 01-07-2019 10:44:09 AM by CHADDER  
 Plot Scale: 1:1 02-21-2019 9:00:16 AM by CURTIS MADDER  
 J:\Projects\2013\301010385\_COW Boy Country Development\5-Civil\CAD\Sws\Phase 3\SW-202-Double-Double Drop Inlet

J:\Projects\2013\301010385\_COW Boy Country Development\5-Civil\CAD\Sws\Phase 3\SW-202-Double-Double Drop Inlet.dwg