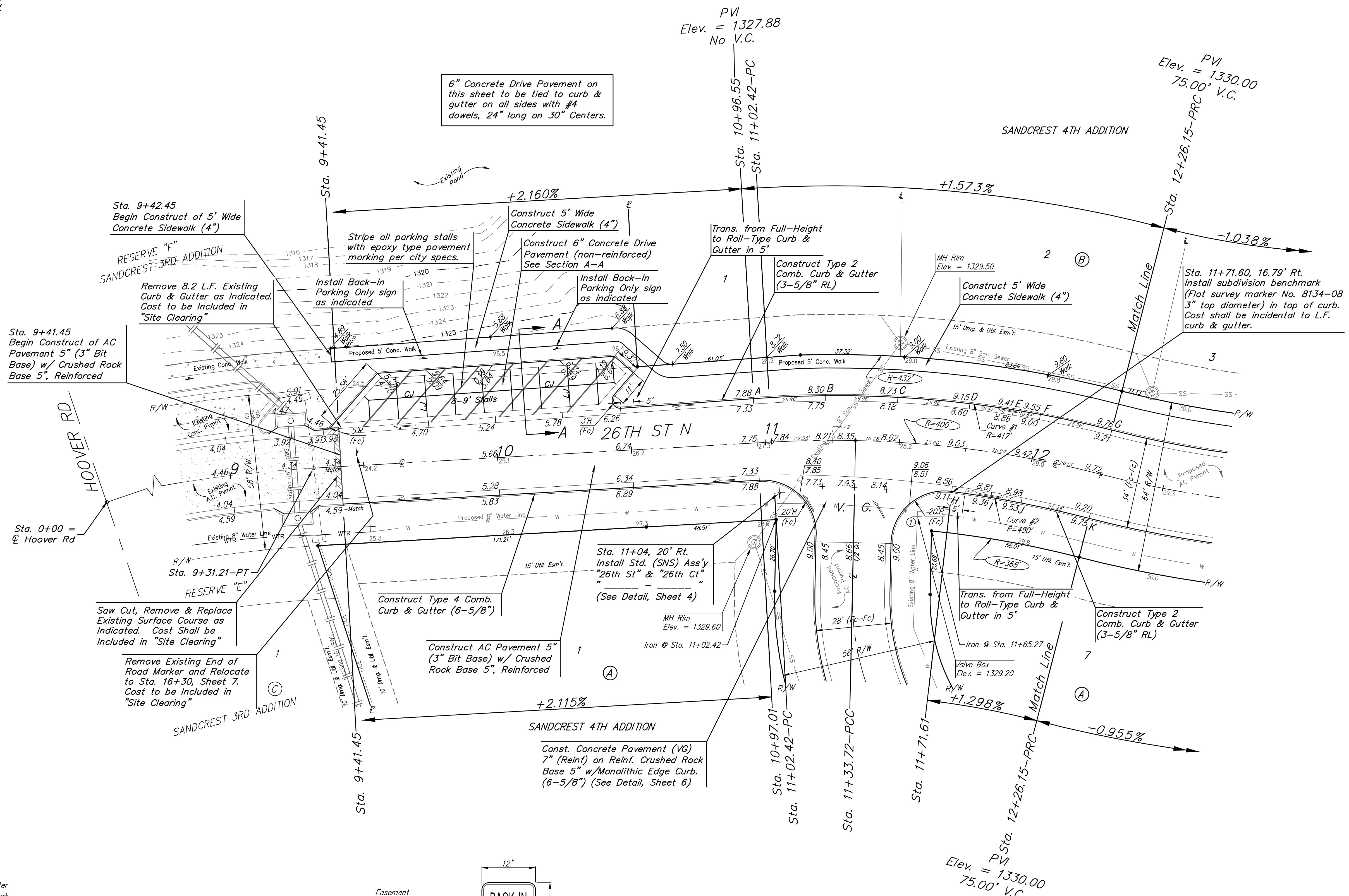
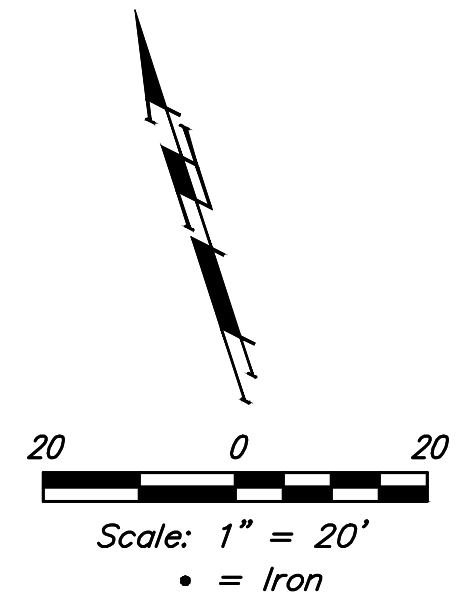


**BENCHMARKS:**  
 City of Wichita Benchmark Disk  
 34.9' S. & 31.2' W. of the SW Cor.,  
 NW1/4, Sec. 2, Twp. 27-S, R-1-W.  
 Elev. = 1327.57 NAVD88

"□" cut in top of curb 1.5'  
 north of the northeast corner of  
 Lot 20, Block B, Sandcrest Addn.  
 Elev. = 1327.21 NAVD88

"□" cut in top of east curb  
 inlet at the southeast corner of  
 the southern intersection of Curtis  
 & Sandcrest.  
 Elev. = 1322.05 NAVD88



6" Concrete Drive Pavement on  
 this sheet to be tied to curb &  
 gutter on all sides with #4  
 dowels, 24" long on 30" Centers.

Sta. 9+42.45  
 Begin Construct of 5' Wide  
 Concrete Sidewalk (4")

Sta. 9+41.45  
 Begin Construct of AC  
 Pavement 5" (3" Bit  
 Base) w/ Crushed Rock  
 Base 5", Reinforced

Saw Cut, Remove & Replace  
 Existing Surface Course as  
 Indicated. Cost Shall be  
 Included in "Site Clearing"

Remove Existing End of  
 Road Marker and Relocate  
 to Sta. 16+30, Sheet 7.  
 Cost to be Included in  
 "Site Clearing"

Construct Type 4 Comb.  
 Curb & Gutter (6-5/8")

Construct AC Pavement 5"  
 (3" Bit Base) w/ Crushed  
 Rock Base 5", Reinforced

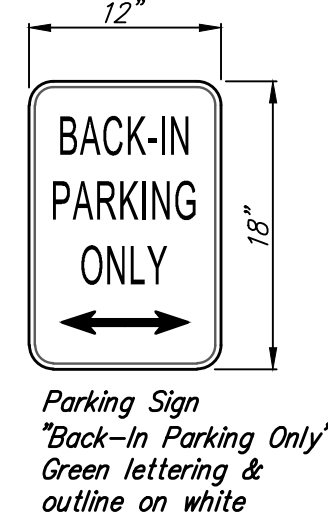
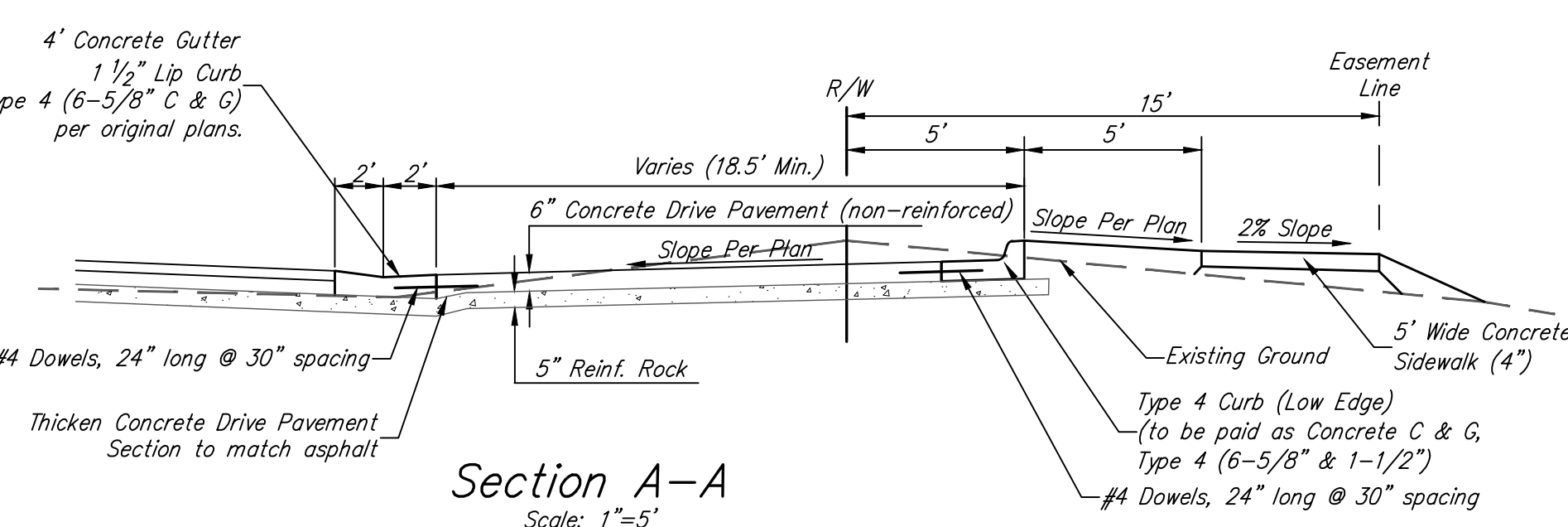
Const. Concrete Pavement (VG)  
 7" (Reinf) on Reinf. Crushed Rock  
 Base 5" w/Monolithic Edge Curb.  
 (6-5/8") (See Detail, Sheet 6)

Curve #1  
 Curve Data Based on Face of Curb  
 Rad. = 417' Delta = 18°31'17" Tangent = 67.99'  
 Arc = 134.80' L.C. = 134.21' Def./Ft. = 4.12197 Min.

Station	Arc	Chord	8' Lt.	Defl.	Total Defl.
A	-	-	-	0'00"00"	0'00"00"
B	26.96'	27.47'	1'51"08"	1'51"08"	1'51"08"
C	26.96'	27.47'	1'51"07"	3'42"15"	3'42"15"
D	26.96'	27.47'	1'51"08"	5'33"23"	5'33"23"
E	16.42'	16.73'	1'07"41"	6'41"04"	6'41"04"
F	10.54'	10.74'	0'43"27"	7'24"31"	7'24"31"
G	26.96'	27.47'	1'51"08"	9'15"39"	9'15"39"

Curve #2  
 Curve Data Based on Face of Curb  
 Rad. = 450' Delta = 6°39'09" Tangent = 26.15'  
 Arc = 52.25' L.C. = 52.22' Def./Ft. = 3.81962 Min.

Station	Arc	Chord	8' Rt.	Defl.	Total Defl.
H	-	-	-	0'00"00"	0'00"00"
I	14.75'	14.49'	0'56"20"	0'56"20"	0'56"20"
J	11.52'	11.31'	0'44"00"	1'40"20"	1'40"20"
K	25.98'	25.51'	1'39"14"	3'19"34"	3'19"34"



**Baughman** Sandcrest 4th Addition - Phase I  
**26TH ST N**  
 Sta. 9+31.21 to Sta. 12+26.15

Baughman Company, P.A. 315 Ellis St. Wichita, KS 67211 P 316-262-7271 F 316-262-0149  
 ENGINEERING | SURVEYING | PLANNING | LANDSCAPE ARCHITECTURE

PROJECT NUMBER  
 472-85456

DESIGN  
 AEG

DRAWN  
 JAK

APPROVED  
 DATE  
 4/15/19

REVISIONS:

SCALE  
 Noted  
 SHEET

**6 OF 21**

C:\Projects\Sandcrest 4th Addition\_1801\F351\Engineering\Phase I\STR\_1804\F067\STR PLANS.dwg