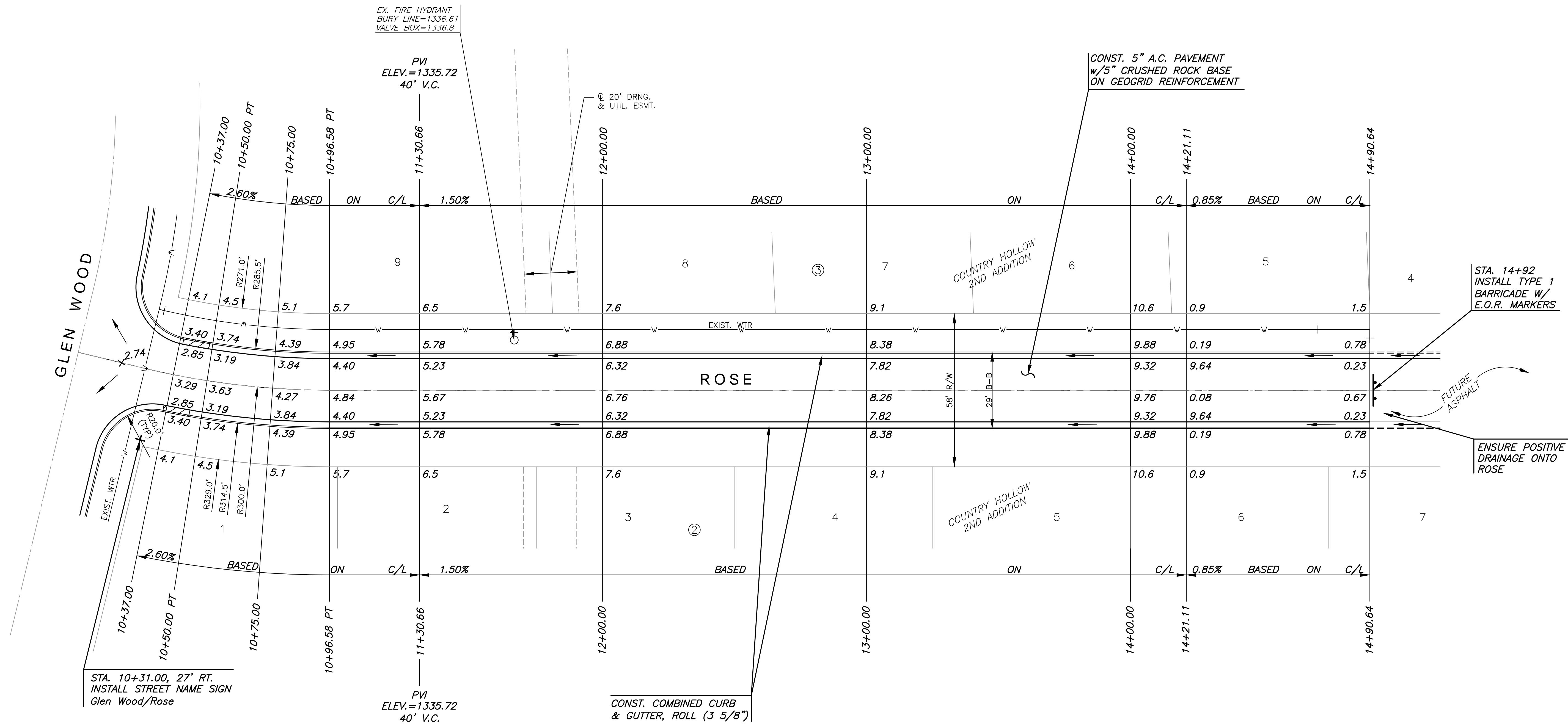


W:\12453\12453\PROJECTS\2018\181010519_COUNTRY HOLLOW 2ND CAD\SHOTS\6 CIVIL\PAV\18519-05-2020.DWG
 PLOTTED: Tuesday, April 23, 2019 @ 09:27AM

PAVING PLANS FOR
COUNTRY HOLLOW 2ND ADDITION
 PHASE 1

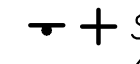



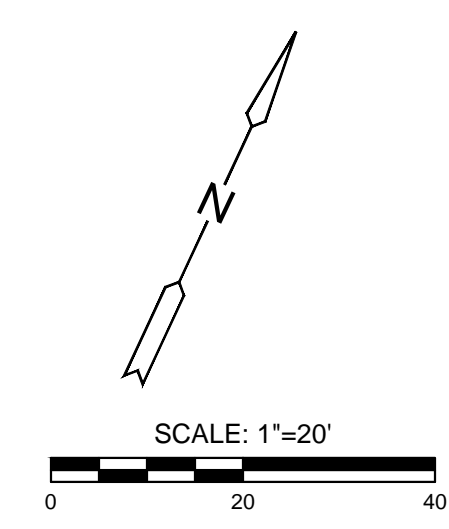
©2019 MKEC Engineering All Rights Reserved www.mkec.com
 These drawings and their contents, including, but not limited to, all concepts, designs, & ideas are the exclusive property of MKEC Engineering (MKEC), and may not be used or reproduced in any way without the express consent of MKEC.

PAVING PLAN ROSE ST.

PROJECT NO.	472-84352	
DATE	APR. 2019	
SCALE	1" = 20'	
DESIGNED	DRAWN	CHECKED
SLF	RWB	MAB
NO.	REVISION	DATE

LEGEND

- 
 STREET SIGN & SIGN LOCATION (SEE SIGN ASSEMBLY TABLE FOR TYPE & STATION OF SIGN)
- 
 10' TRANSITION FROM FULL TO ROLL CURB



NOTE:
 TOP OF CURB ELEVATIONS SHOWN ARE FOR FULL CURB. CONSTRUCT CURB AND GUTTER AS NOTED.