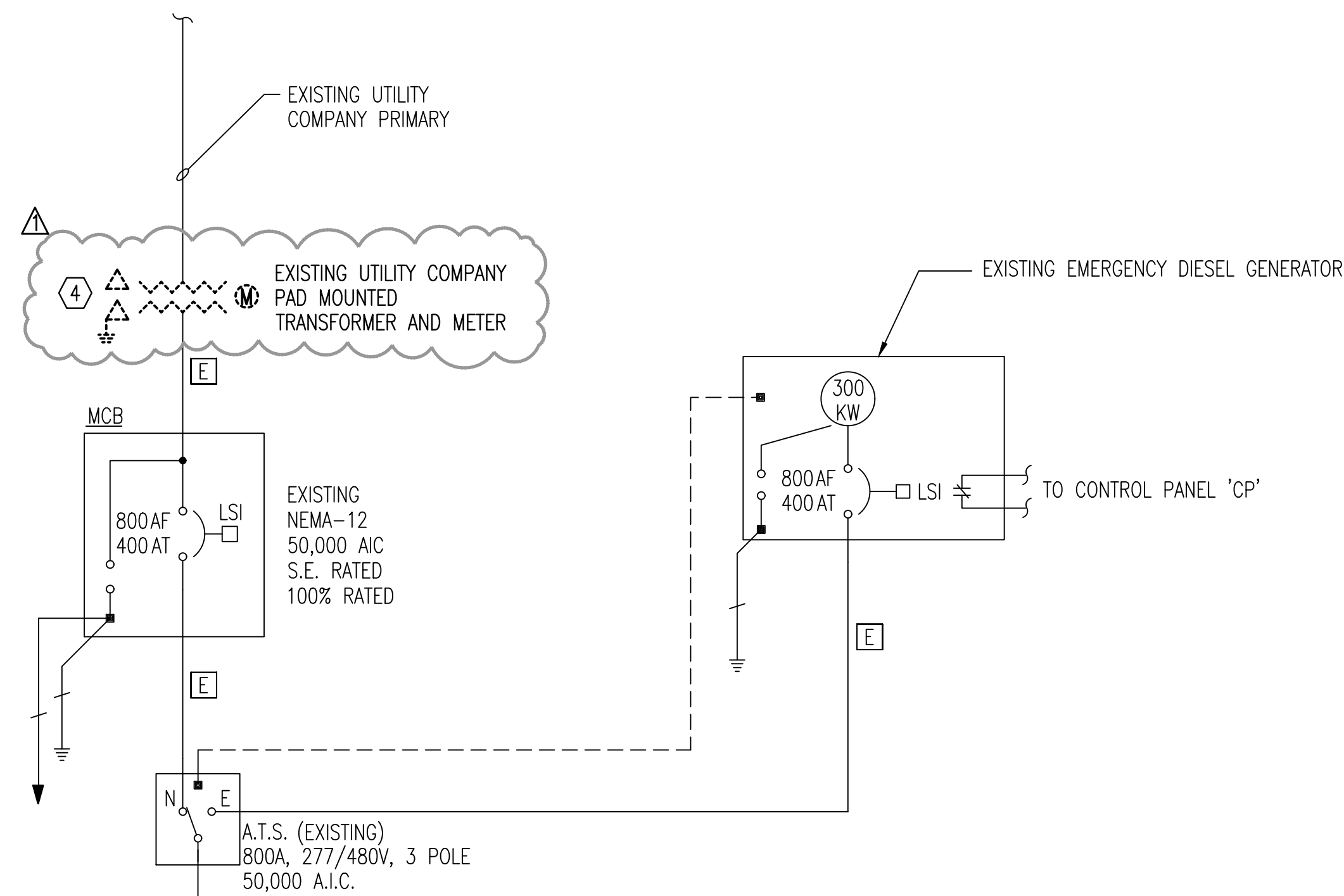


MABCD REVIEWER:



### FEEDER SCHEDULE

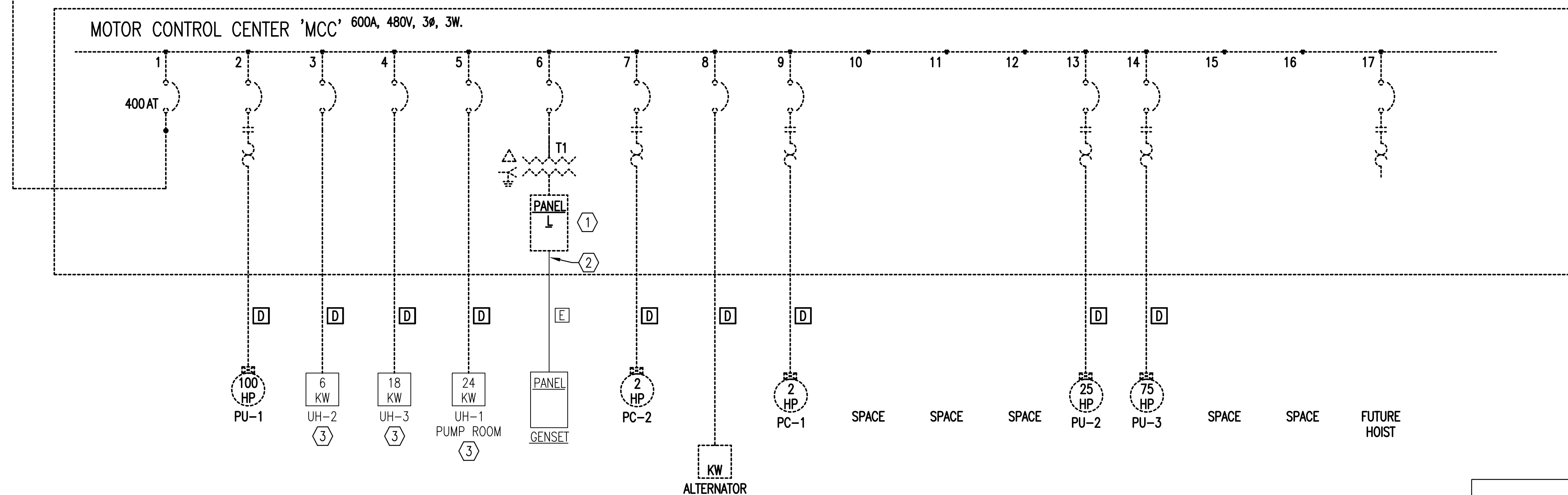
DESIG.	EQUIPMENT SERVED	CONDUCTORS		GROUND SIZE PER SET	ISOLATED GROUND SIZE	CONDUIT SIZE PER SET	SPARE CONDUIT
		SETS	NO.				
E	EXISTING TO REMAIN						
D	EXISTING TO BE REMOVED						

**GENERAL ONE-LINE DIAGRAM NOTES:**

- UNLESS OTHERWISE NOTED, ALL CIRCUIT BREAKERS AND/OR SWITCHES ARE THREE POLE.
- ALL ELECTRICAL EQUIPMENT AND WIRING SHOWN IN A LIGHT LINE, IS EXISTING TO REMAIN.
- ALL ELECTRICAL EQUIPMENT AND WIRING SHOWN IN A DARK DASHED LINE, IS TO BE REMOVED UNDER THIS CONTRACT.

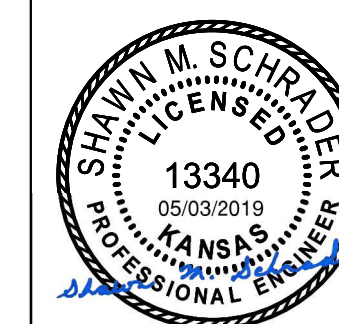
**KEYED NOTES:**

- EXTEND EXISTING BRANCH CIRCUITS TO NEW PANEL AS REQUIRED.
- EXISTING FEEDER TO BE EXTENDED TO NEW PANEL AS REQUIRED.
- EXISTING LOAD TO BE REFEED FROM NEW PANEL. SEE SHEET EO.3.
- EXISTING UTILITY COMPANY TRANSFORMER AND METER TO BE REPLACED IN SAME LOCATION. COORDINATE ALL WORK WITH THE OWNER AND UTILITY COMPANY. COORDINATE DOWNTIME WITH THE OWNER.



**1 ELECTRICAL ONE-LINE DIAGRAM – DEMOLITION**  
NO SCALE

Saved 04-30-2019 1:53:19 PM by SMS  
 Plot Scale 1:1 05-03-2019 12:53:30 PM by CMA  
 U:\Wichita-Civil\2017\170920\000\Elec\Drawings\170920-000 - ED.2 ELECTRICAL ONE-LINE DIAGRAM - DEMOLITION



Issued for Bid		CL	4/30/2019
No.	Revision	By	Date
CITY OF WICHITA, KANSAS <b>ELECTRICAL ONE-LINE DIAGRAM – DEMOLITION</b> 37TH STREET BOOSTER PUMP STATION IMPROVEMENTS			
<b>PEC</b> PROFESSIONAL ENGINEERING CONSULTANTS, P.A. 303 SOUTH TOPEKA WICHITA, KS 67202 316-262-2691 www.pec1.com			
Designed by RWW	Job No. 34-170920-000	Sht. E0.2 of	
Drawn by MAL	Date DECEMBER 2018		