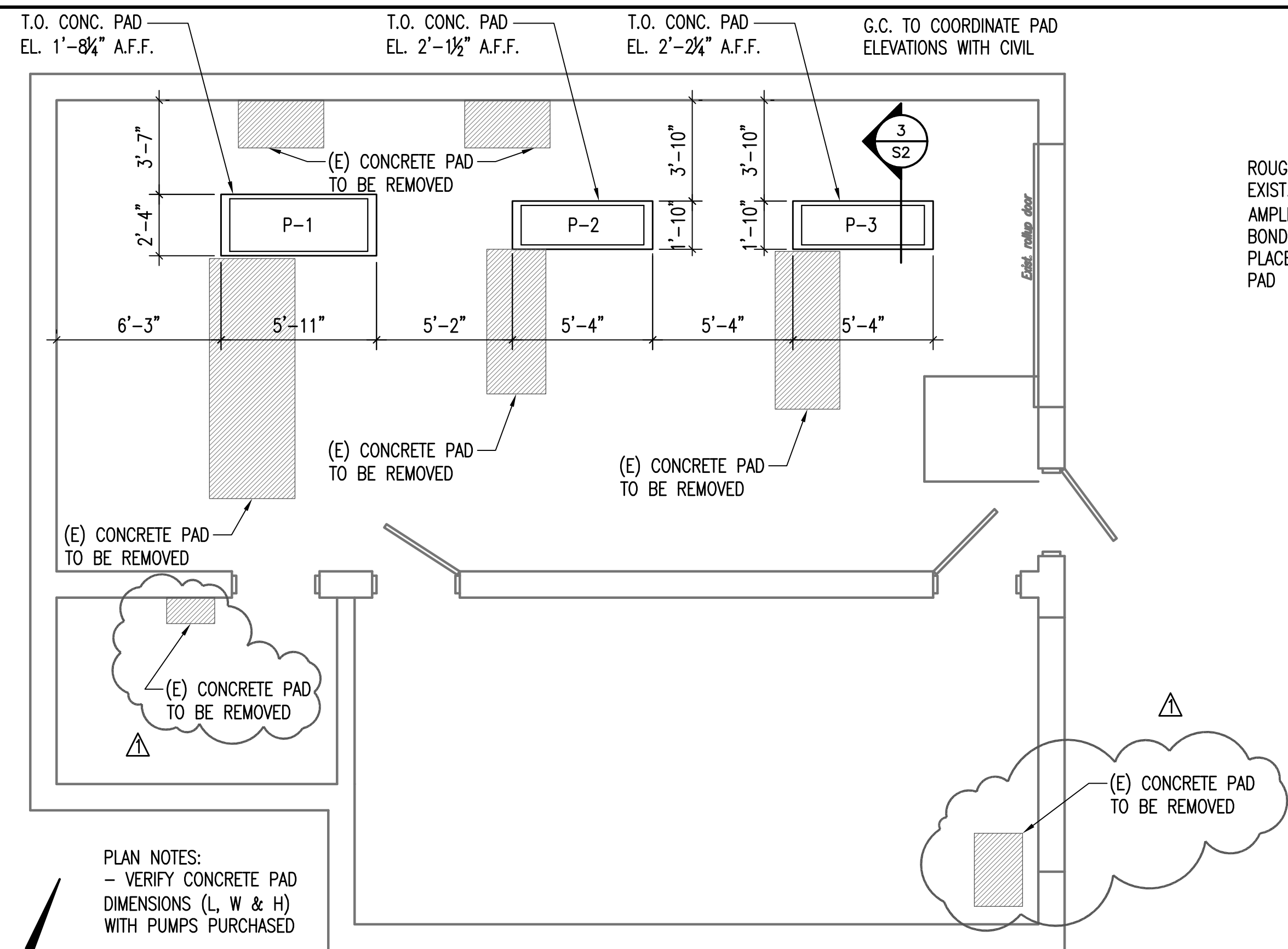
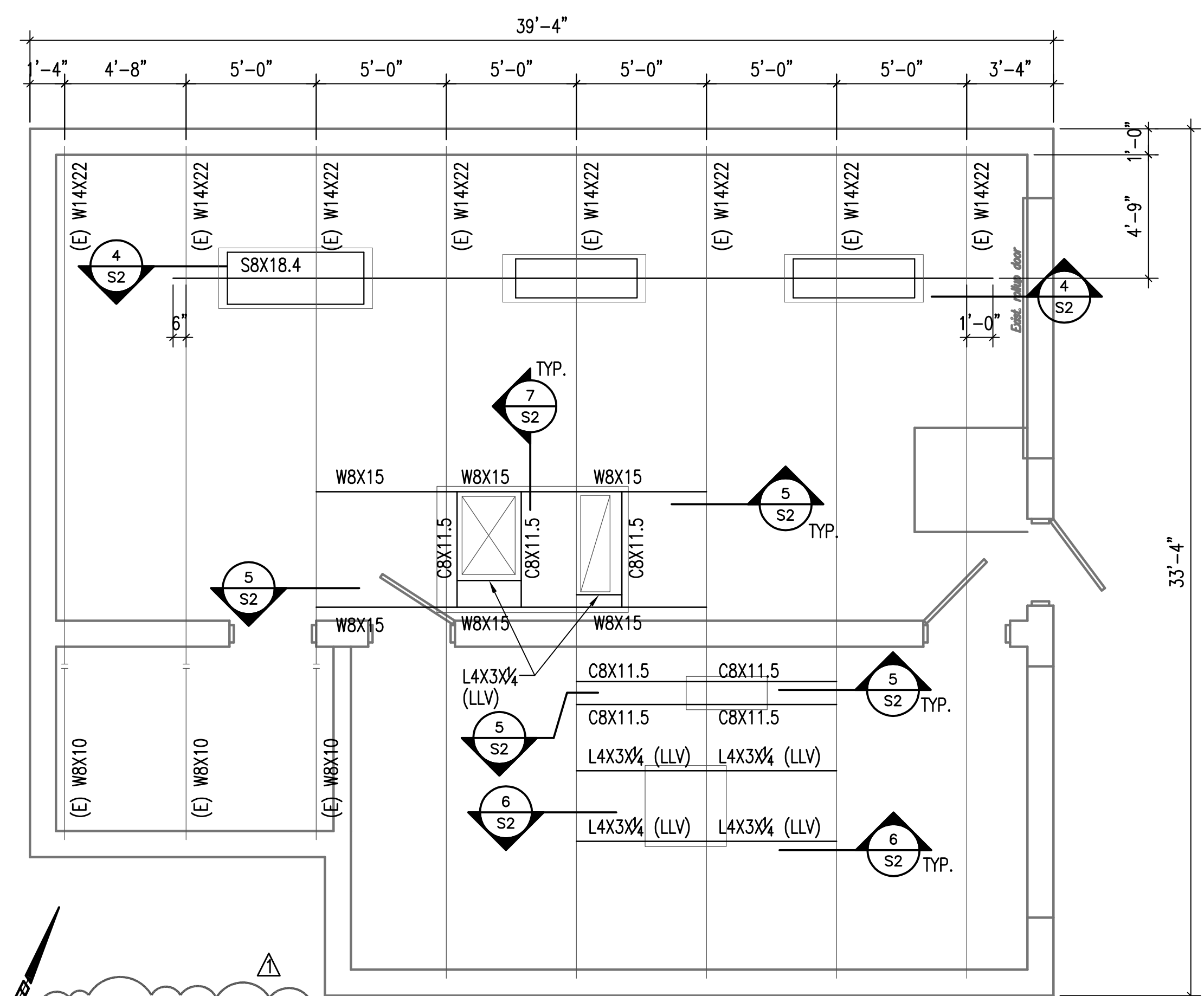


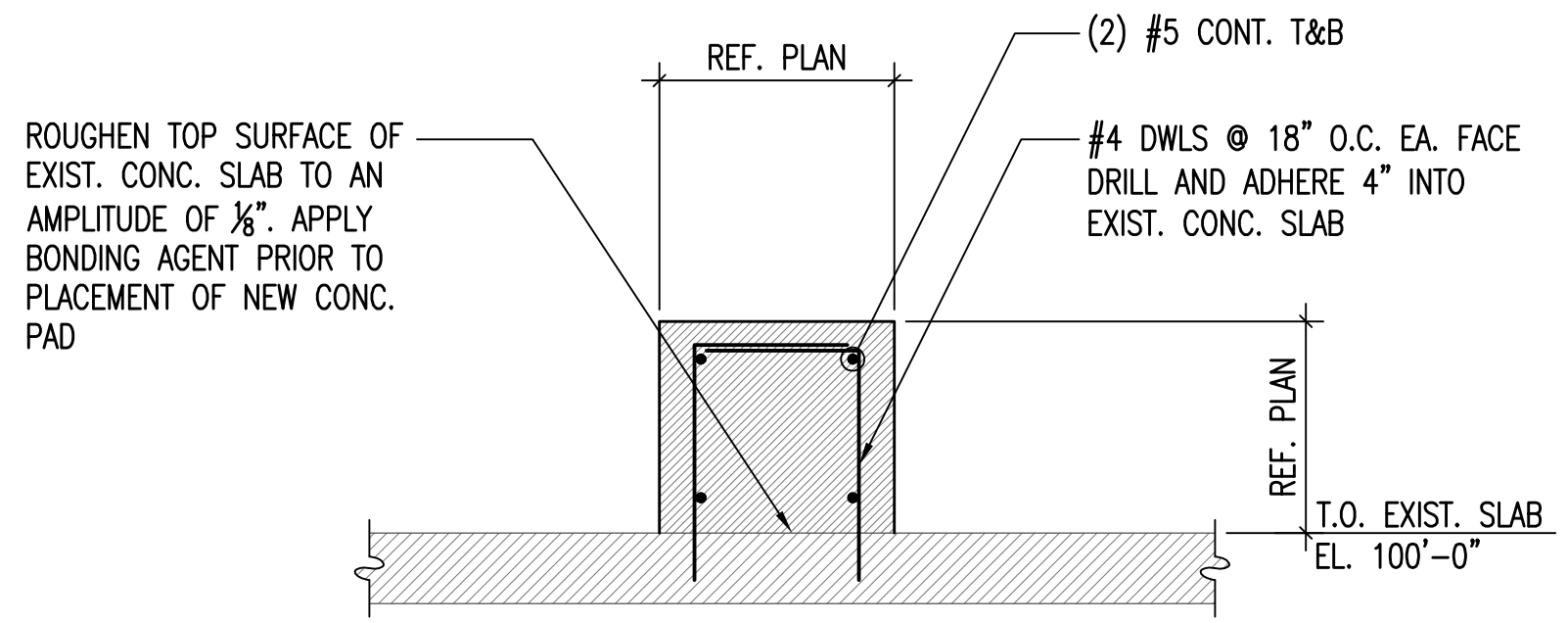
MABCD REVIEWER:



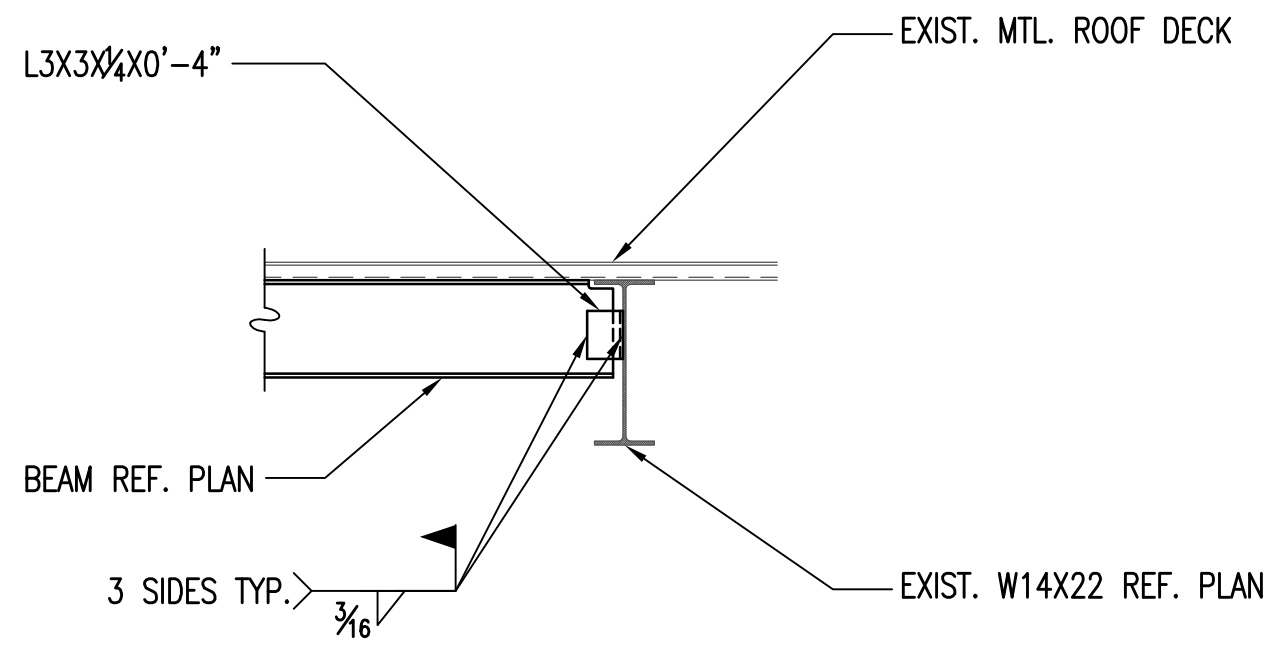
1 FOUNDATION PLAN
S2 1/4"=1'-0"



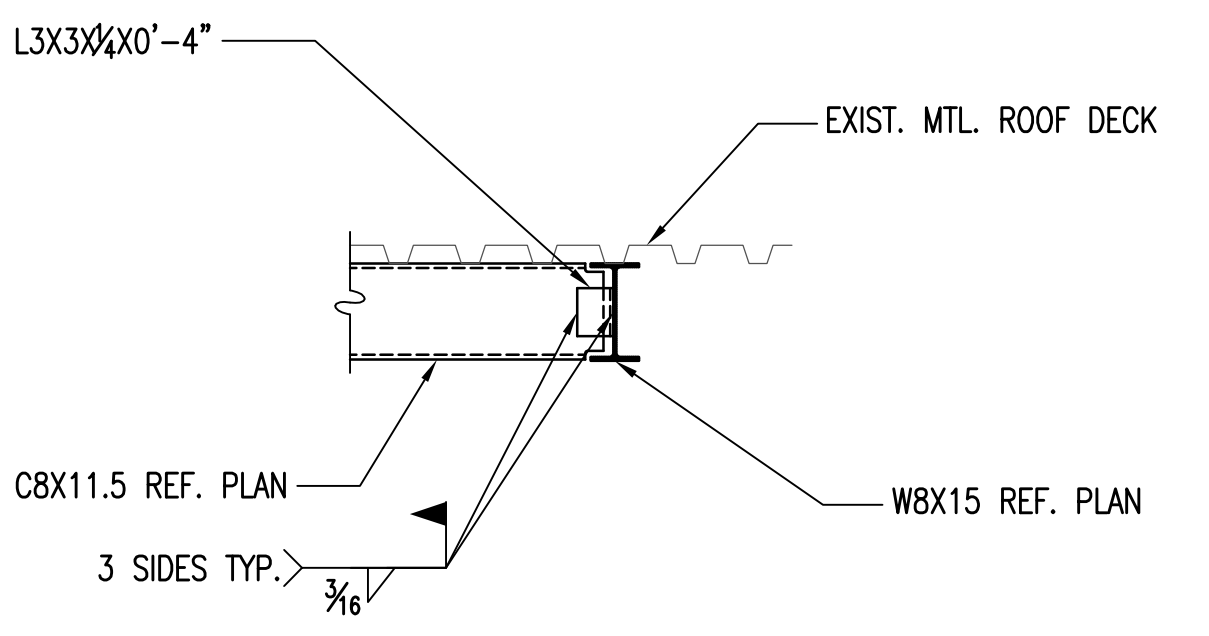
2 ROOF FRAMING PLAN
S2 1/4"=1'-0"



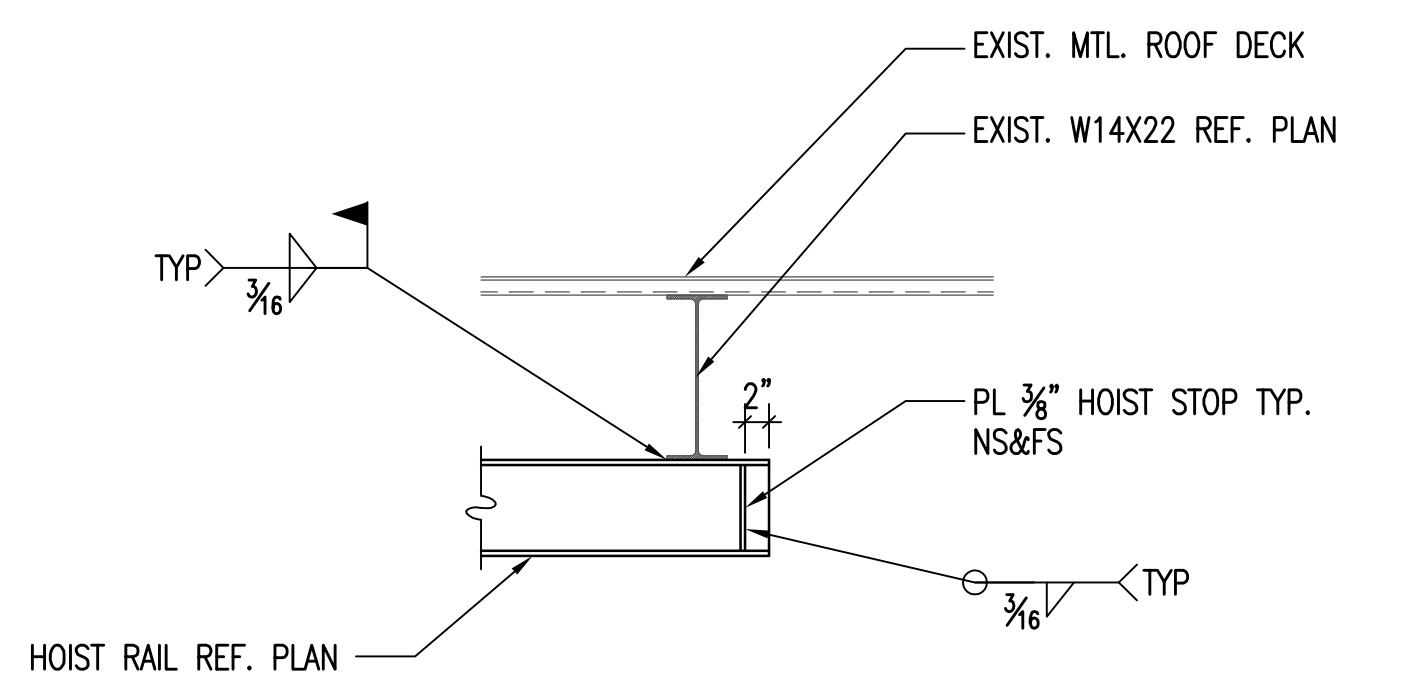
3 CONCRETE PAD DETAIL
S2 3/4"=1'-0"



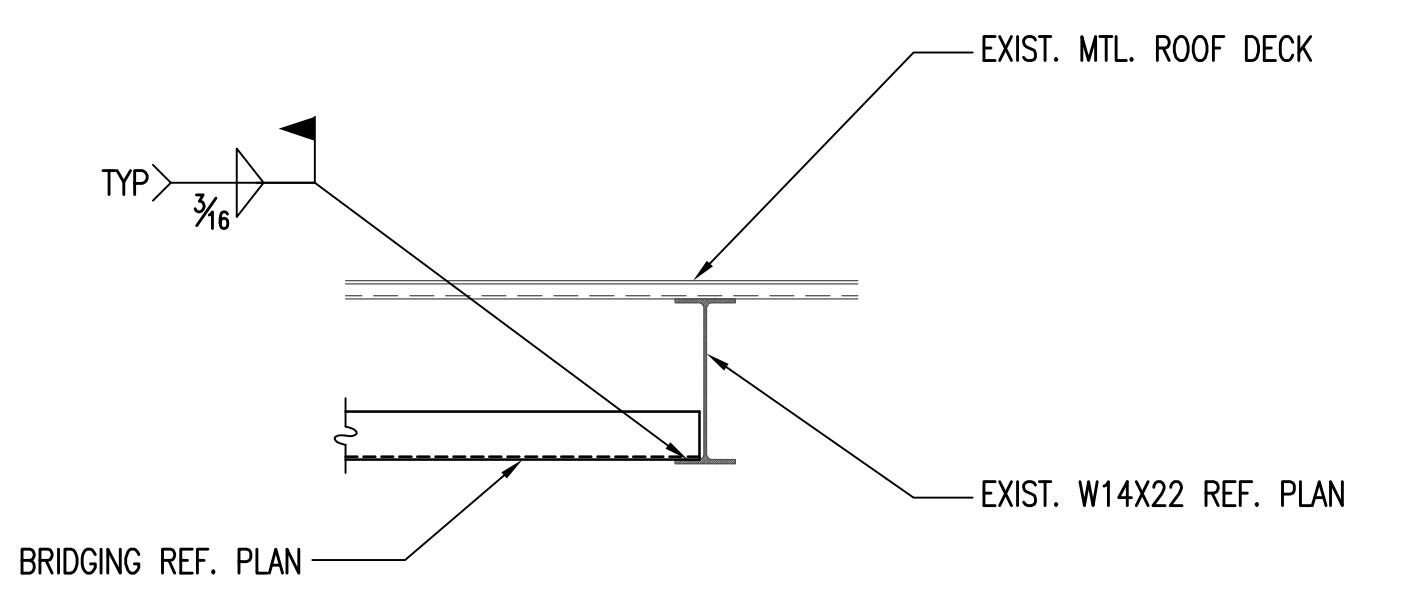
5 RTU SUPPORT DETAIL
S2 3/4"=1'-0"



7 RTU SUPPORT DETAIL
S2 3/4"=1'-0"

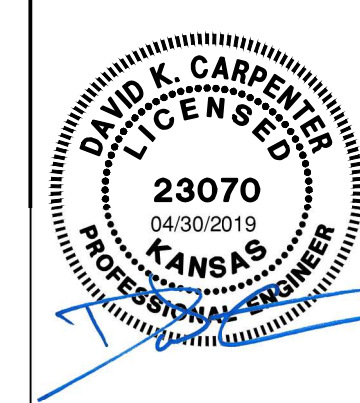


4 HOIST RAIL CONN. DETAIL
S2 3/4"=1'-0"



6 BRIDGING DETAIL
S2 3/4"=1'-0"

Saved: 04-30-2019 1:42:48 PM by: DKC
Plot Scale: 1:1 04-30-2019 1:54:49 PM by: DKC
U:\Wichita-Civil\2017\170920\000\Struct\Drawings\CD's\170920-000 S2



Issued for Bid		CL	4/30/2019
No.	Revision	By	Date
CITY OF WICHITA, KANSAS			
FOUNDATION & ROOF FRAMING PLANS			
37TH STREET BOOSTER PUMP STATION IMPROVEMENTS			
PEC PROFESSIONAL ENGINEERING CONSULTANTS, P.A. 303 SOUTH TOPEKA WICHITA, KS 67202 316-262-2891 www.pec1.com			
Designed by	DRC	Job No.	34-170920-000
Drawn by	DRC	Date	DECEMBER 2018
		Sht.	S2 of 2