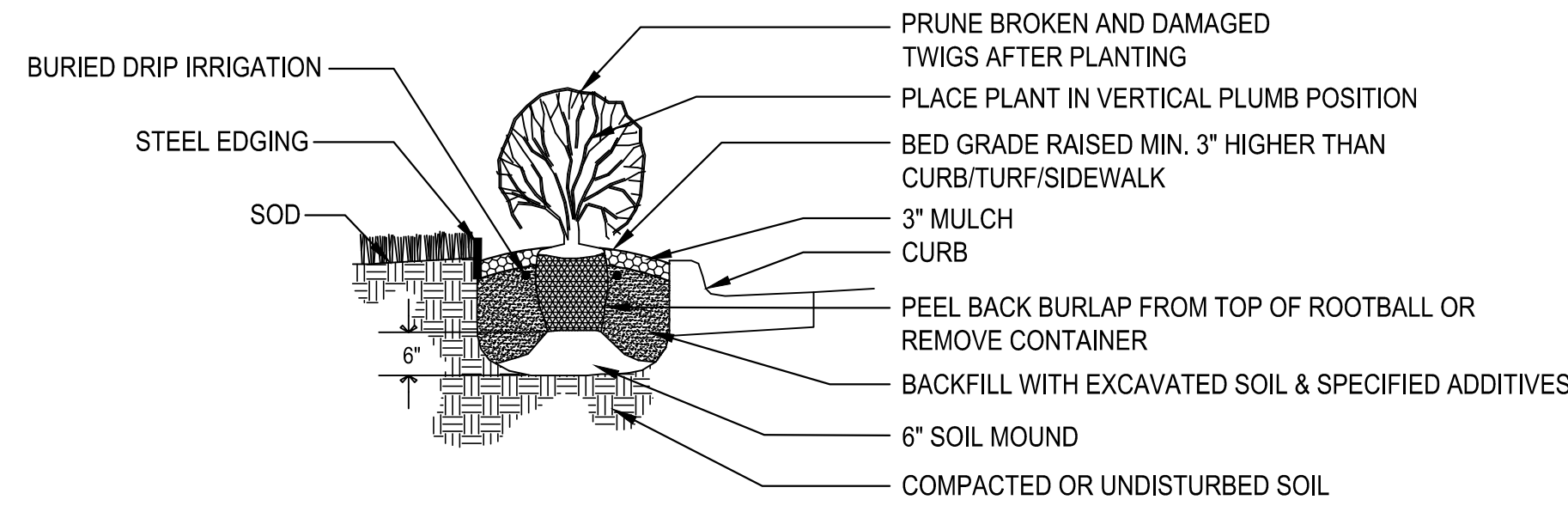
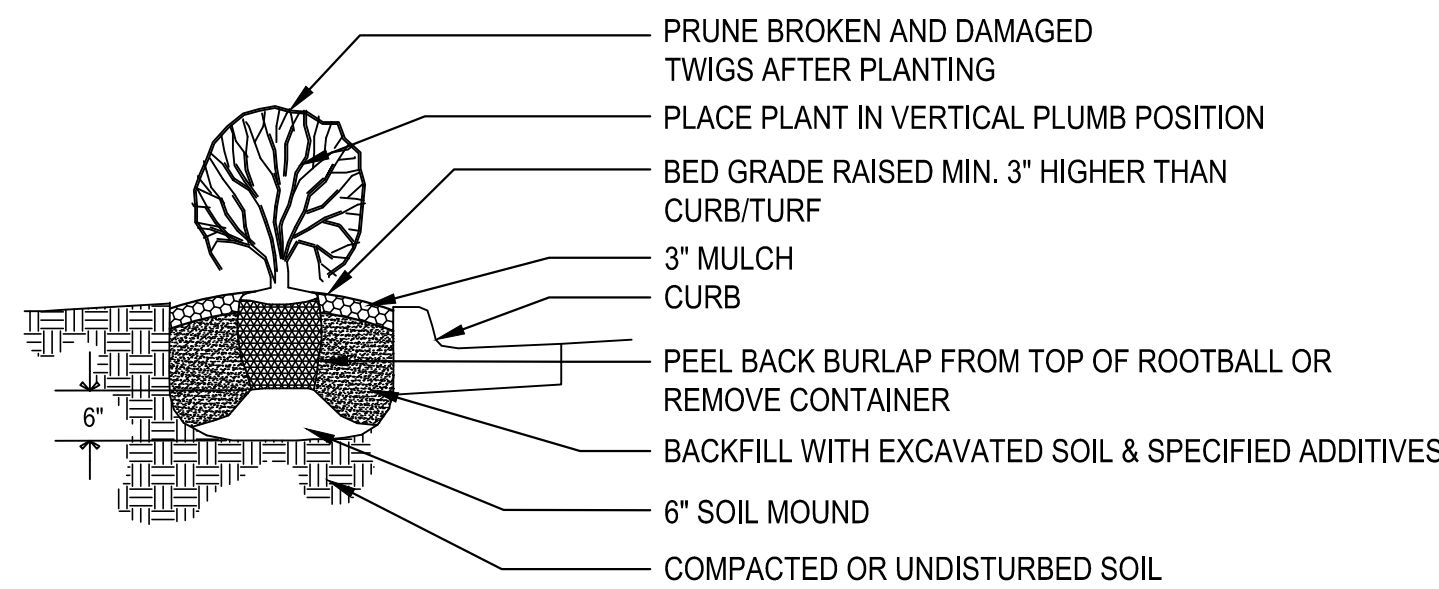


# LANDSCAPE NOTES

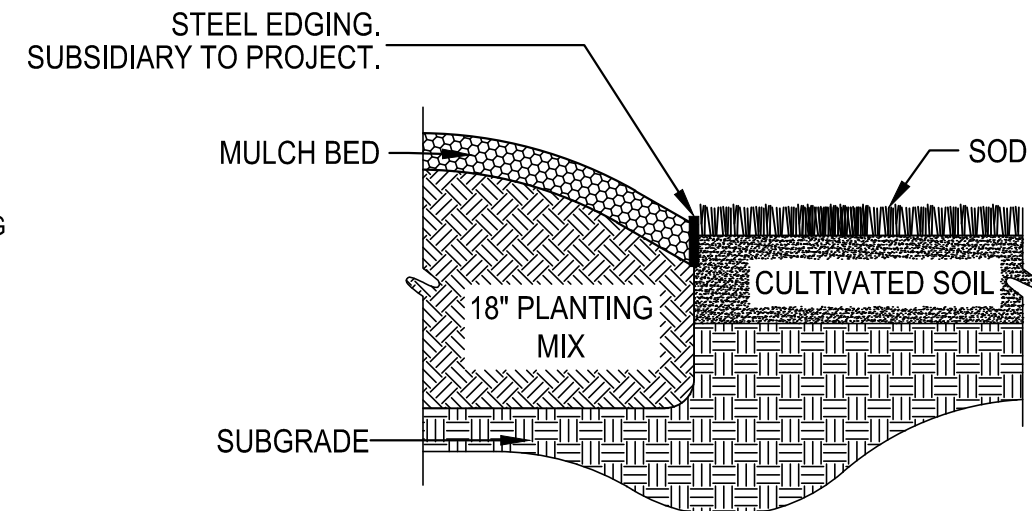
- CONSTRUCTION TRAFFIC SHALL BE LIMITED TO A CONFINED SPACE WITHIN THE PROPOSED PAVEMENT SPACES OR THE IMMEDIATE CONSTRUCTION AREA TO REDUCE WIDESPREAD SOIL COMPACTION. EQUIPMENT AND VEHICLES SHALL NOT RANDOMLY CROSS THE SITE BUT RATHER STAY ON PRE-DEFINED ROUTES/HAUL ROADS THAT THE OWNER'S REPRESENTATIVE AGREES TO.
- LANDSCAPE CONTRACTOR SHALL MAKE SURE THAT THE MASS GRADING CONTRACTOR HAS THOROUGHLY RIPPED AND ALLEVIATED ALL COMPACTED SOILS FROM HAULING AND PLACEMENT OPERATIONS.
- ALL WATER REQUIRED FOR LANDSCAPE OPERATIONS AND FOR ESTABLISHING LANDSCAPE ON THIS SITE WILL BE PROVIDED BY THE OWNER FROM ON-SITE SOURCES AND SUPPLIED TO THE LANDSCAPE CONTRACTOR AT NO CHARGE.
- PLANTING DATES FOR PLANT MATERIAL SHALL BE DURING THE MONTHS BETWEEN FEB. 15TH AND MAY 31ST OR SEPT. 15TH AND DEC. 15. PLANTING SHALL ONLY BE CONDUCTED WHEN THE GROUND IS NOT FROZEN, SNOW-COVERED, OR IN AN OTHERWISE UNSUITABLE CONDITION FOR PLANTING. DEVIATION FROM THE ABOVE PLANTING DATES WILL ONLY BE PERMITTED WITH APPROVAL FROM THE OWNER'S REPRESENTATIVE.
- LANDSCAPE BED EDGES SHALL BE PRO-STEEL EDGING
- SPREAD A 3" LAYER OF "BACK TO EARTH" COTTON BURR COMPOST. THOROUGHLY TILL INTO PLANTING BACKFILL TOPSOIL.
- ALL SHRUB/PERENNIAL PLANTING BEDS SHALL BE TREATED WITH A PRE-EMERGENT HERBICIDE SUCH AS TREFLAN OR EQUAL. APPLY AS PER MANUFACTURER'S RECOMMENDATION. THE PRE-EMERGENT SHALL NOT BE APPLIED UNTIL AFTER ALL PLANTING AND MULCHING WITHIN THESE AREAS ARE COMPLETE. DO NOT DISTURB AREAS AFTER APPLICATION. WATER IN AS DIRECTED.
- INSTALL 3" MIN. DEPTH DARK HARDWOOD MULCH IN ALL PLANTING BED AREAS AND WITHIN A 3' DIAMETER CIRCLE AROUND ALL TREES PLANTED IN LAWN AREAS. PULL MULCH AWAY FROM TREE TRUNKS WITHIN 3" OF TRUNK.
- IF POSSIBLE, BASED ON TIME OF YEAR SITE IS READY FOR LANDSCAPING, PLANT TREES PRIOR TO ROUTING/INSTALLING IRRIGATION LINES AND SUSTAIN TEMPORARILY BY WATERING WITH IRRIGATOR SLOW DRIP IRRIGATION BAGS OR BY HAND WATERING. FOLLOW TREE PLANTING WITH INSTALLATION OF IRRIGATION SYSTEM, THEN BY SODDING.
- FESCUE SOD SHALL BE HARVESTED & PLACED BETWEEN THE DATES OF APRIL 1ST AND JUNE 15TH UNLESS DIRECTED BY THE OWNER'S REPRESENTATIVE TO DO OTHERWISE. IT IS THE CONTRACTOR'S RESPONSIBILITY TO WATER ALL SOD UNTIL LANDSCAPE JOB IS COMPLETE.
- ALL SOD AREAS SHALL BE INSTALLED AS FOLLOWS: AFTER FINAL GRADE IS ESTABLISHED AND ALL SOIL AREAS DRAIN AS INTENDED, AND ALL SURFACE IRREGULARITIES HAVE BEEN REMOVED, THOROUGHLY PREPARE SODBED BY TILLING TO A MINIMUM DEPTH OF 3" AND HARROWING. ROLL SOD FOLLOWING LAYING FOR GOOD SOD/SOIL CONTACT AND KEEP IN A MOIST (BUT NOT SATURATED) CONDITION FOR FIRST TWO WEEKS TO PROMOTE GOOD ROOTING. FERTILIZE WITH 1 LB. ACTUAL NITROGEN PER 1,000 S.F. AT TIME OF PLANTING.
- SITE TO BE IRRIGATED BY AN AUTOMATIC IRRIGATION SYSTEM. AUTOMATIC SPRINKLER SYSTEM SHALL BE EQUIPPED WITH A RAIN-SENSING DEVICE WHICH WILL AUTOMATICALLY SHUT OFF THE IRRIGATION SYSTEM FOLLOWING PERIODS OF SIGNIFICANT RAIN.
- ALL PLANTS SHALL CONFORM TO ANSI Z60.1 FOR SIZE AND QUALITY STANDARDS.
- ALL LANDSCAPE PLANTS SHALL BE GUARANTEED FOR ONE YEAR FOLLOWING INITIAL ACCEPTANCE. DEAD OR DEFICIENT PLANTINGS SHALL BE ACCEPTABLY REPLACED. IN PROPER PLANTING SEASON, ONE TIME AT NO COST TO THE OWNER. SOD AND SEED AREAS MAY BE FINAL ACCEPTED AT TIME OF COMPLETION OF ESTABLISHMENT, WITH NO FURTHER GUARANTEE REQUIRED.
- LANDSCAPE CONTRACTOR SHALL BE RESPONSIBLE FOR MAINTAINING, (INCLUDING WATERING AND MOWING), SOD AND SEEDED AREAS UNTIL ACCEPTANCE OF THESE AREAS. WHEN READY, THE LANDSCAPE CONTRACTOR SHALL REQUEST INSPECTION OF ESTABLISHED SODDED AND SEEDED AREAS BY THE OWNER'S REPRESENTATIVE. SMALLER, CLEARLY DEFINED SODDED OR SEEDED AREAS MAY BE INSPECTED AND GIVEN FINAL ACCEPTANCE AS THESE AREAS BECOME READY, BEFORE OTHER AREAS OF THE SITE ARE READY FOR INSPECTION.
- TOPSOIL MINIMUM DEPTHS SHALL BE PLACED AS FOLLOWS:  
6" - AREAS OF TURF  
18" - PLANTING BEDS  
24" - STREET MEDIANS



**NOTES:**  
BALL OF PLANT TO BE KEPT MOIST AND PROTECTED FROM DAMAGE PRIOR TO PLANTING. ADD ROOT STIMULATOR TO SURFACE IMMEDIATELY AFTER PLANTING AS PER THE MANUFACTURER'S RECOMMENDATIONS. PLANTING DEPTH OF ROOTBALL SHALL BE EQUAL TO ITS ORIGINAL PLANTING DEPTH AT NURSERY.

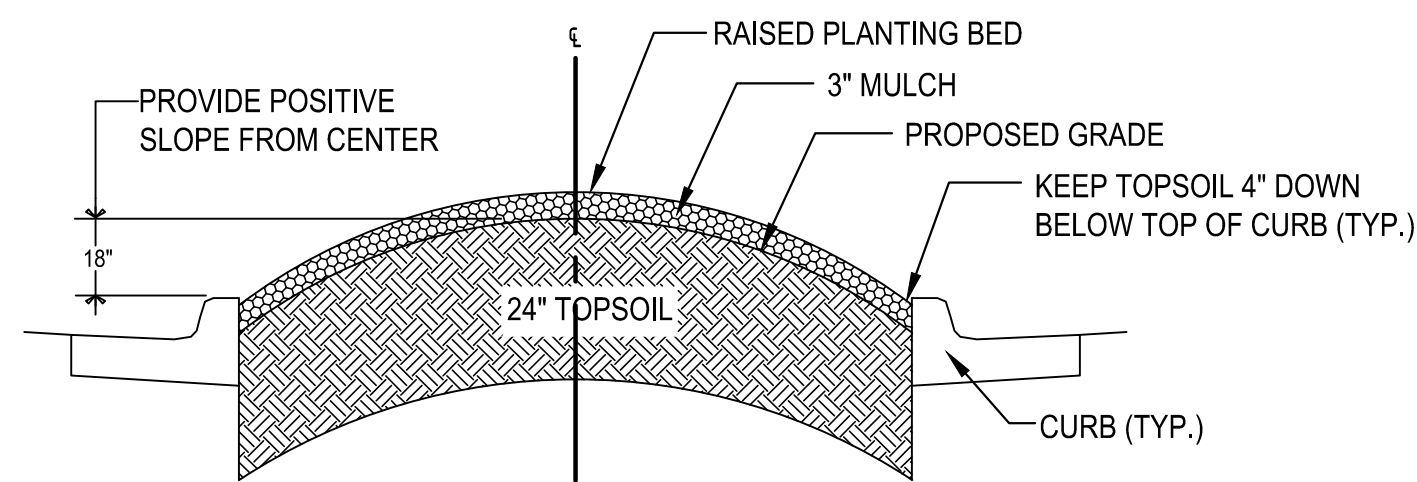


**SHRUB PLANTING DETAIL**  
NOT TO SCALE



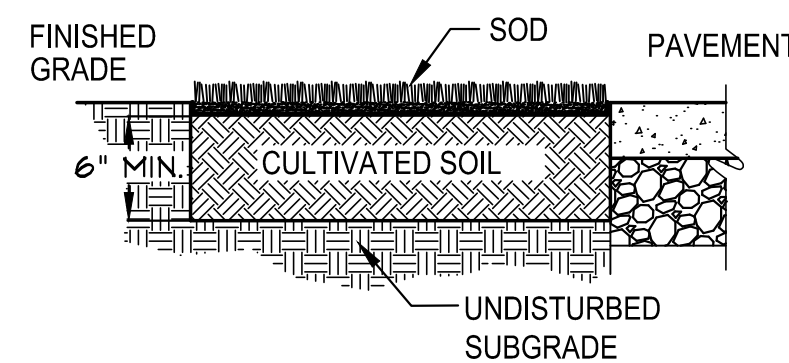
**EDGING/BED DETAIL**  
NOT TO SCALE

**NOTES:**  
IMPORTED TOPSOIL SHALL BE A SANDY LOAM. LOCAL TO THE ARKANSAS RIVER VALLEY IN SOUTH WICHITA. IT SHALL BE CERTIFIED THAT IT IS FREE OF BERMUDA GRASS.



**RAISED MEDIAN PLANTING BED DIAGRAM**  
NOT TO SCALE

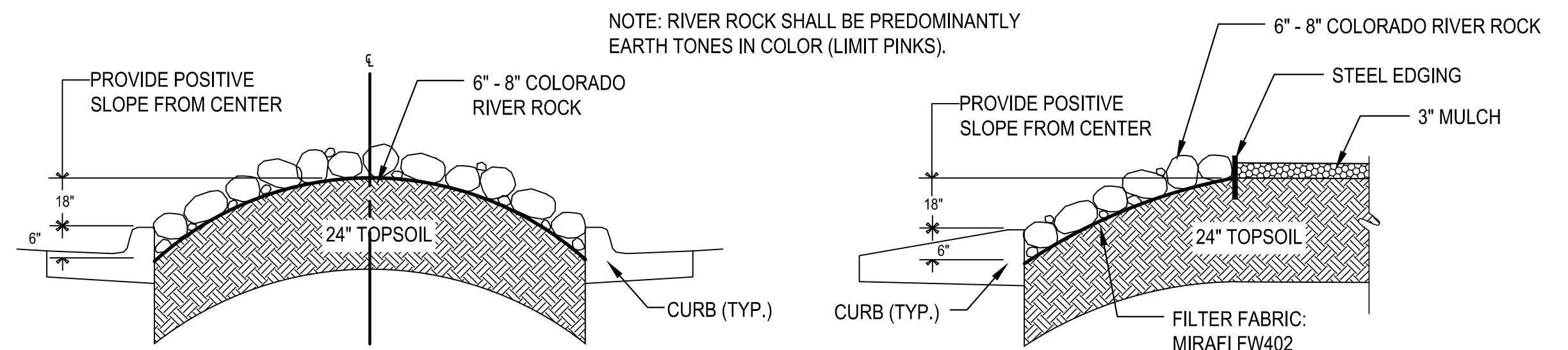
- SOD INSTALLATION NOTES:**
- FINISHED GRADES SHALL BE ACCURATE.
  - CULTIVATE ENTIRE AREA TO A MINIMUM 4" DEPTH. EXCEPTIONS TO AREAS MAY BE MADE IF TREE ROOTS ARE ENCOUNTERED WITHIN THE DRIPLINE OF EXISTING TREES. HAND RAKE SMOOTH.
  - ADD ADDITIVES AND TILL INTO SOIL.
  - LAY AND ROLL SOD. WATER THOROUGHLY.
  - STAGGER JOINTS AND BUTT JOINTS TOGETHER TIGHTLY.
  - STAKE SOD ON SLOPES 4:1 OR STEEPER.



**SOD INSTALLATION**  
NOT TO SCALE

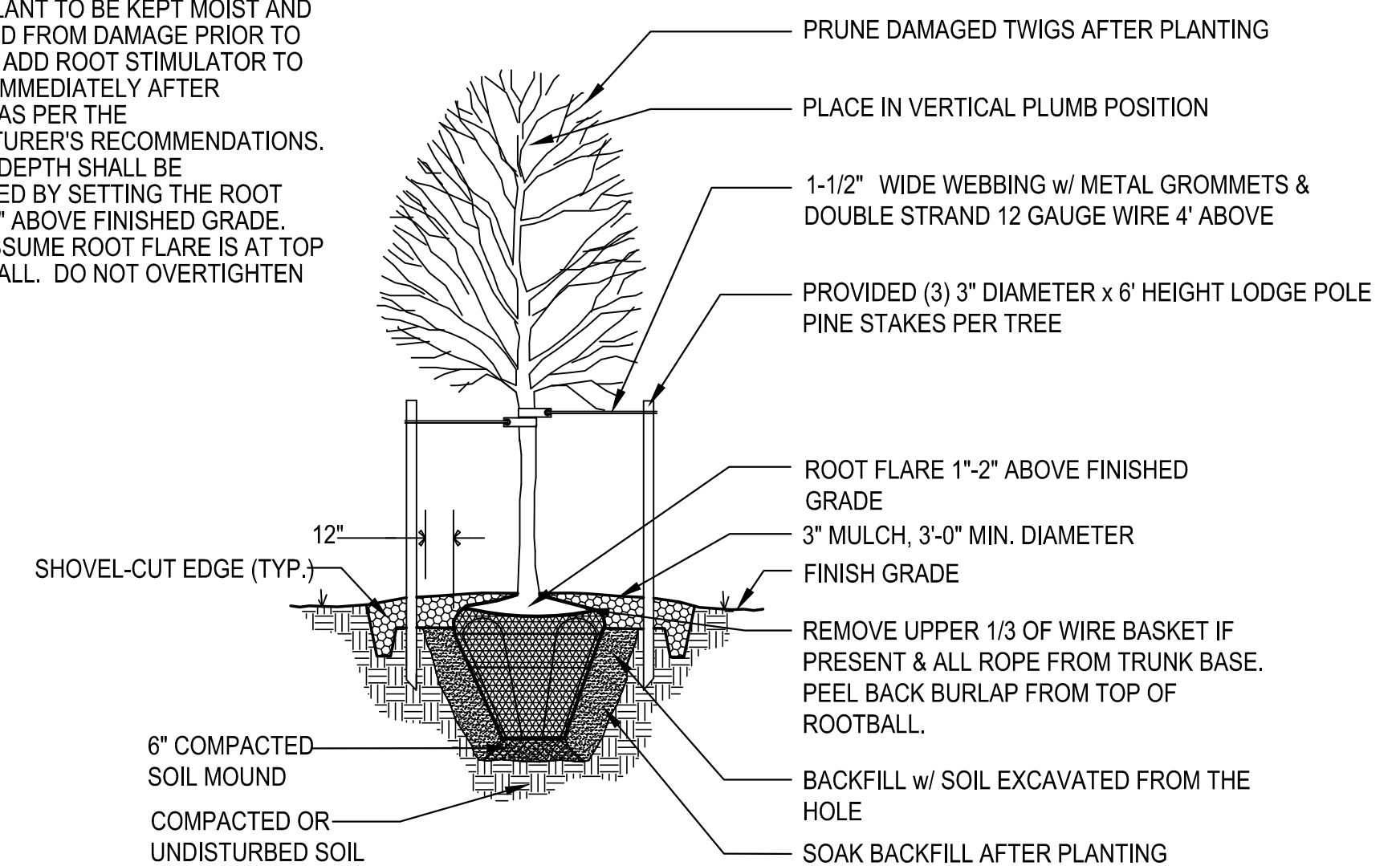
# PLANT SCHEDULE

KEY	QTY	COMMON NAME	BOTANICAL NAME	SIZE & METHOD OF HANDLING	NOTES
<b>DECIDUOUS TREES</b>					
REG	11	REGAL PRINCE OAK	QUERCUS X WAREI 'LONG'	2.5" CAL. / B&B	
SWA	26	SWAMP WHITE OAK	QUERCUS BICOLOR	2" CAL. / B&B	
SWA1	11	SWAMP WHITE OAK	QUERCUS BICOLOR	2.5" CAL. / B&B	
PON	40	POND CYPRESS	TAXODIUM ASCENDENS	2.5" CAL. / B&B	
NOR	6	SHANTUNG MAPLE	ACER TRUNCATUM	2.5" CAL. / B&B	
SHA	4	NORTHERN CATALPA	CATALPA SPECIOSA	2.5" CAL. / B&B	
TAT	14	TATARIAN MAPLE	ACER TATARICUM	1.5" CAL. / B&B	
<b>EVERGREEN SHRUBS</b>					
YUC	127	RED YUCCA	HESPERALOE PARVIFLORA	#3 CONT.	
<b>ORNAMENTAL GRASSES</b>					
PRA	385	PRAIRIE DROPSEED	SPOROBOLUS HETEROLEPIS	#2 CONT.	
BLU	1,252	'BLONDE AMBITION' BLUE GRAMA	BOUTELOUA GRACILLIS 'BLONDE AMBITION'	#1 CONT.	MONROVIA OR APPROVED EQUAL
NWS	746	NORTHWIND SWITCHGRASS	PANICUM VIRGATUM 'NORTHWIND'	#1 CONT.	
<b>PERENNIALS</b>					
RUS	232	'BLUE JEAN BABY' RUSSIAN SAGE	PEROVSKIA ATRIPLICIFOLIA 'BLUE JEAN BABY'	#1 CONT.	
<b>TURF GRASS</b>					
SOD	11,600 SY	FESCUE: GARD'N WISE 'FESCUE/BLUE MIXTURE'			SOD
<b>NATIVE GRASS</b>					
	1.65 AC	NATIVE PRAIRIE MIX			SEE SEEDING NOTES, SHEET 8.
<b>MISC. MULCH</b>					
	1,200 SF	6"-8" RIVER ROCK			



**MEDIAN ROCK MULCH DIAGRAM**  
NOT TO SCALE

**NOTES:**  
BALL OF PLANT TO BE KEPT MOIST AND PROTECTED FROM DAMAGE PRIOR TO PLANTING. ADD ROOT STIMULATOR TO SURFACE IMMEDIATELY AFTER PLANTING AS PER THE MANUFACTURER'S RECOMMENDATIONS. PLANTING DEPTH SHALL BE DETERMINED BY SETTING THE ROOT FLARE 1"-2" ABOVE FINISHED GRADE. DO NOT ASSUME ROOT FLARE IS AT TOP OF ROOTBALL. DO NOT OVERTIGHTEN GUYS.

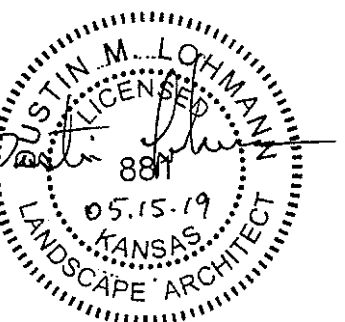


**TREE PLANTING DETAIL**  
NOT TO SCALE

J:\PROJECTS\2017\1010143\_LANGLAGE\_STEEPLE\_BAY\_1743\_CADD\SHS\06\_CIVIL\LANDSCAPE\PUBLIC\_STREET\151743\_STREET\_LANDSCAPE\_7 NOTES.DWG  
 PLOTTED: Wednesday, May 15, 2019 @ 09:55AM



PART B: LIGHTING & LANDSCAPE PLANS FOR  
**STEEPLE BAY ADDITION**  
 WICHITA, KANSAS



©2019 MKEC Engineering All Rights Reserved www.mkec.com  
 These drawings and their contents, including, but not limited to, all concepts, designs, & ideas are the exclusive property of MKEC Engineering (MKEC), and may not be used or reproduced in any way without the express consent of MKEC.

# LANDSCAPE NOTES

PROJECT NO.	1701010143	
DATE	MAY 2019	
SCALE	N/A	
DESIGNED	DML	
DRAWN	DML	
CHECKED	JAG	
NO.	REVISION	DATE

SHEET NO.