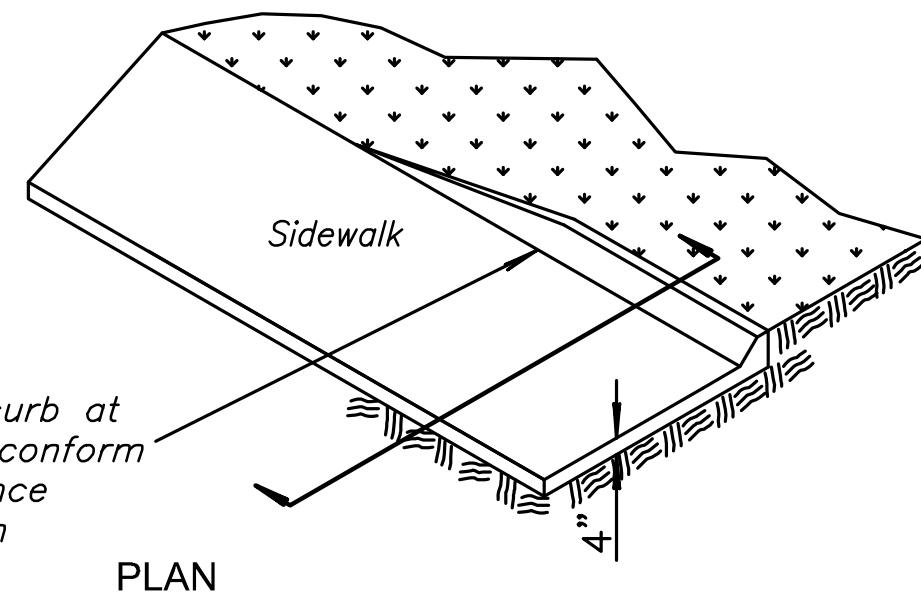


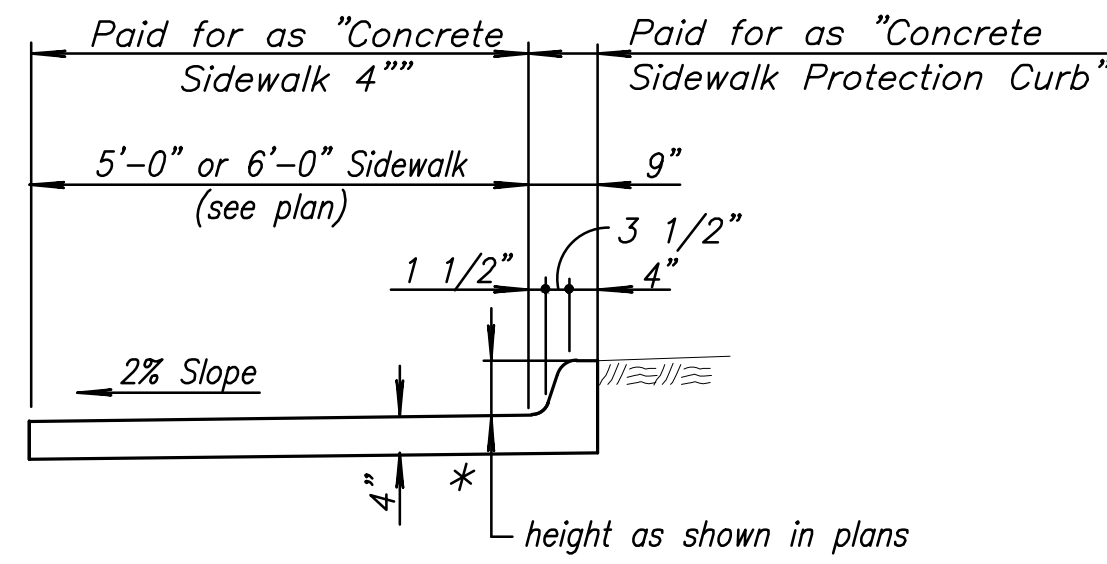
PLOTED: Tuesday, April 16, 2019 @ 03:59PM



Transition Protection curb at ends as necessary to conform to ground slope. Distance may vary depending on adjacent conditions.

Note:

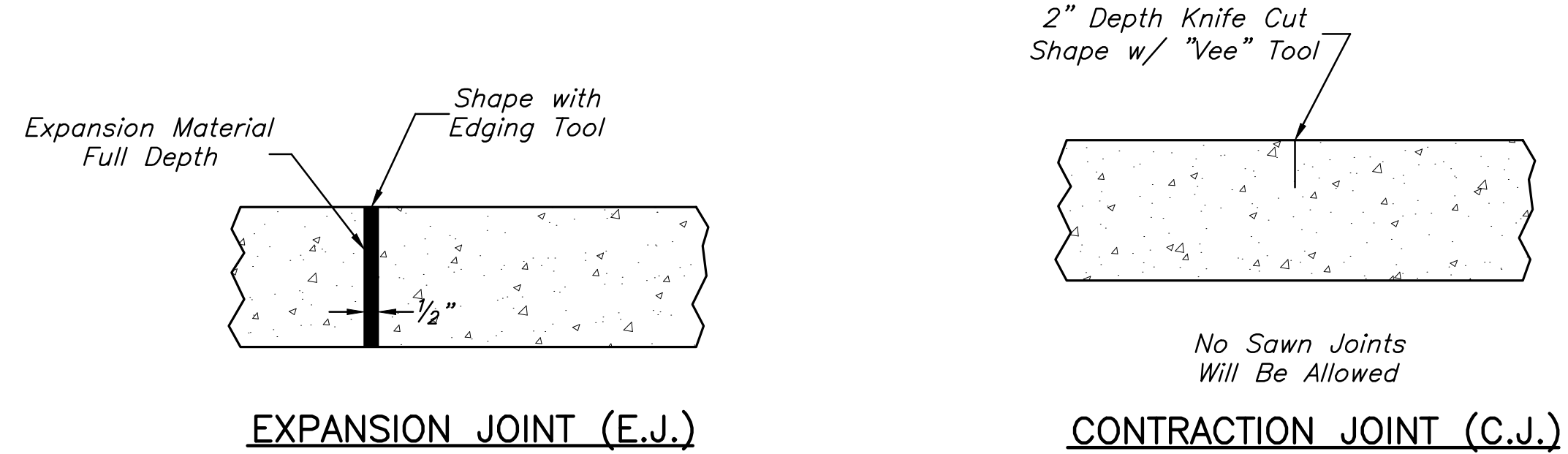
1. Protection Curb shall be constructed at locations as directed by Engineer.
2. Protection Curb shall be constructed monolithically with sidewalk.
3. Protection Curb height will vary as shown on grading sheets. No distinction will be made between heights regarding payment.



SECTION

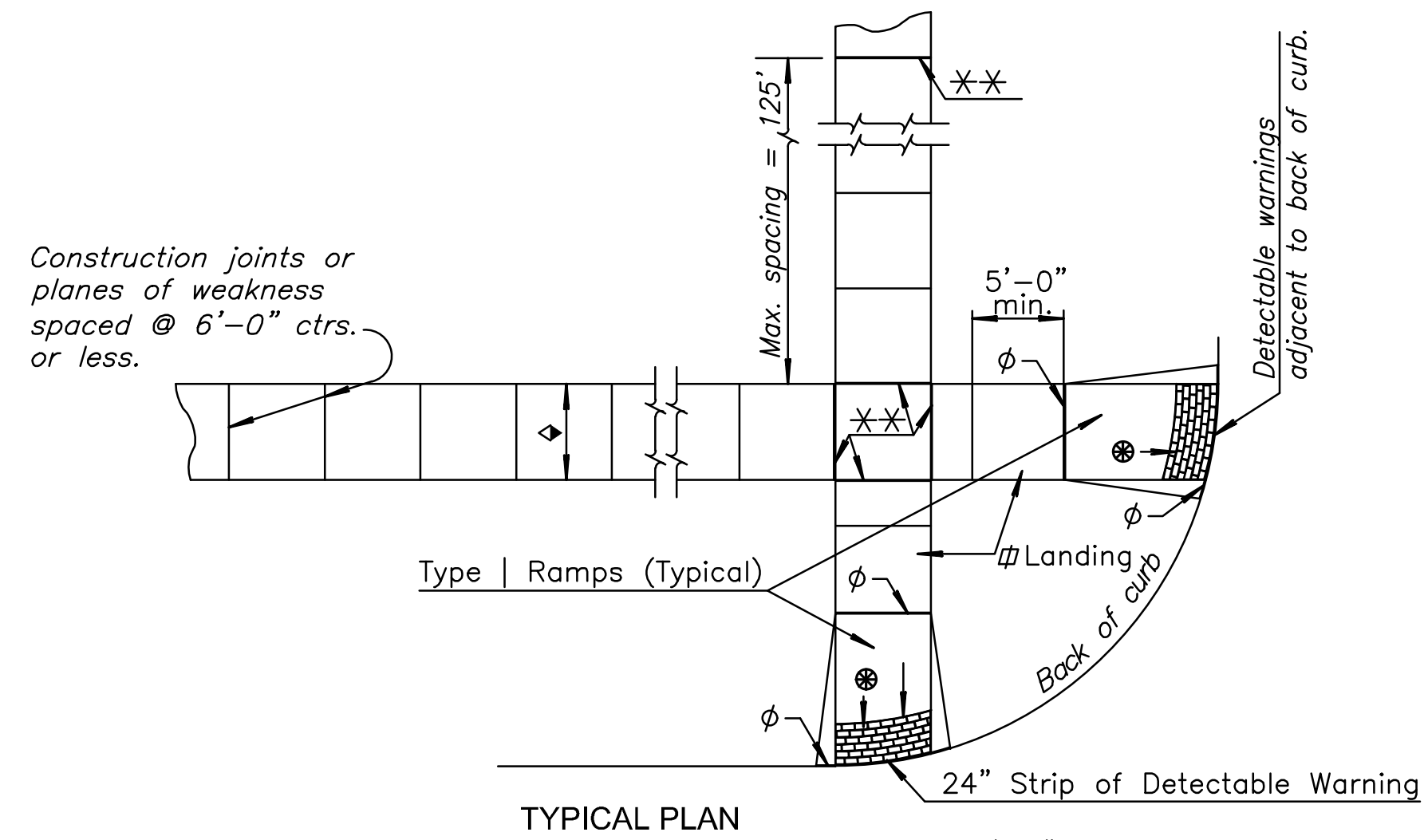
* Transition at ends as shown on the plans.

CONCRETE SIDEWALK PROTECTION CURB

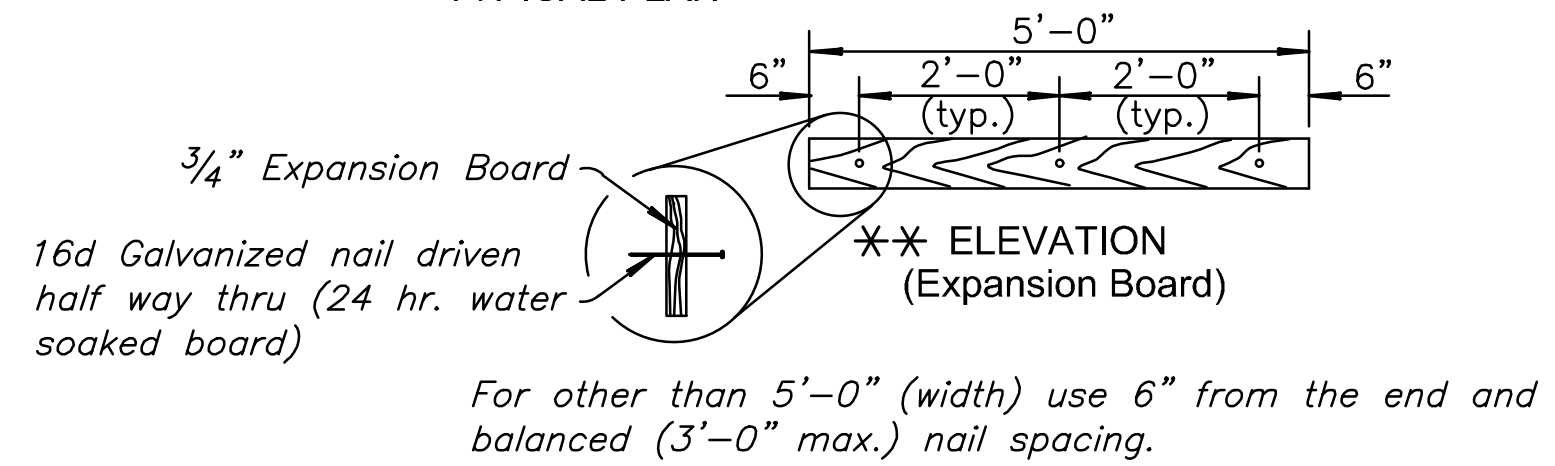


EXPANSION JOINT (E.J.)

CONTRACTION JOINT (C.J.)



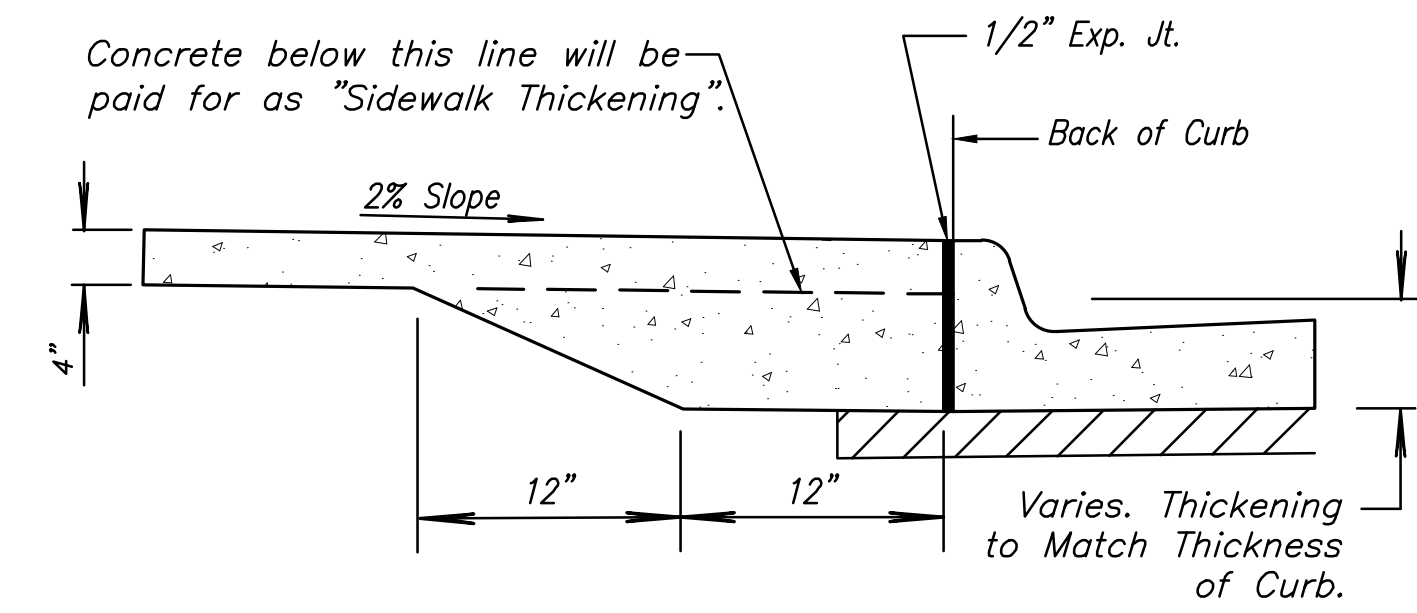
TYPICAL PLAN



For other than 5'-0" (width) use 6" from the end and balanced (3'-0" max.) nail spacing.

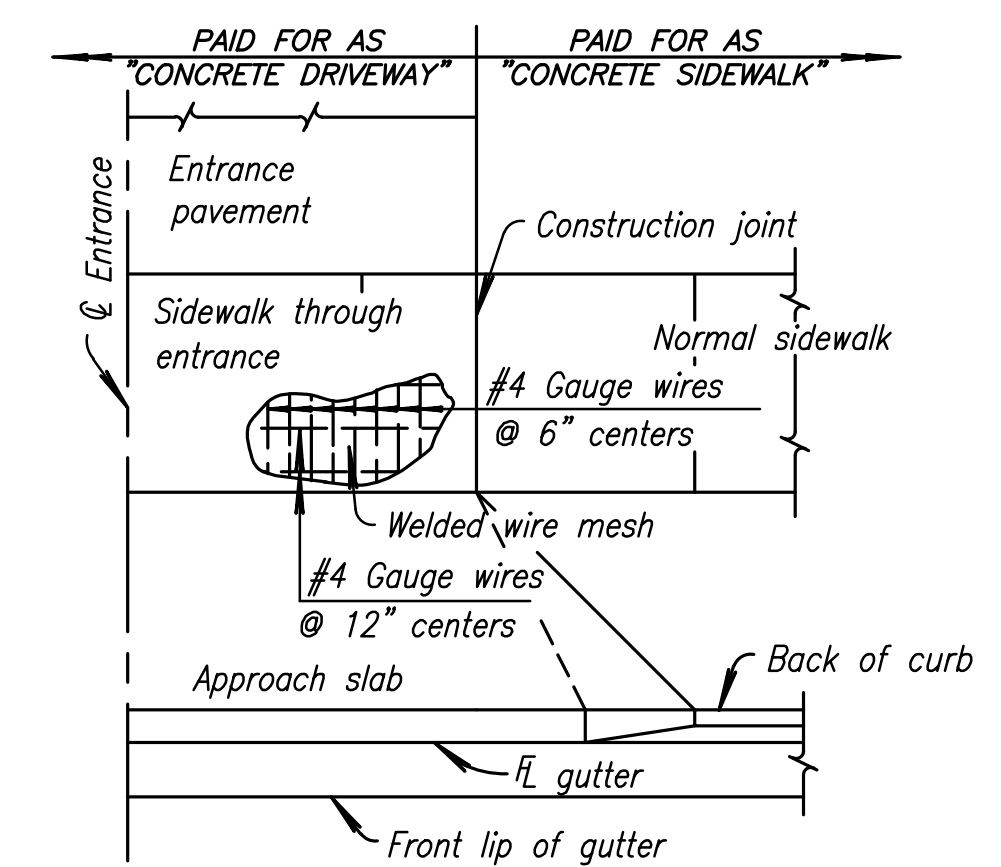
- φ Expansion Joint (3/4" board) placed at either back of curb line or at sidewalk back of curb line or at sidewalk line.
- * * Expansion joint (3/4" board) located as shown.
- ◆ Variable width (5'-0" min.). Entrance walk to be same width as approach walk. Use sidewalk width of 4'-0" where existing conditions prohibit use of 5'-0".
- ☆ New construction ramp slopes are 12:1 or flatter. Desirable ramp slopes for existing sites are 12:1 or flatter. Where space limitations prohibit construction of a 12:1 slope on existing sites, use the following slopes: 8:1 or flatter for a maximum rise of 3 inches; 10:1 or flatter for a maximum rise of 6 inches.
- ⊕ Use a landing slope of 48:1 or flatter. Landings are the same width as ramp and a minimum 5'-0" in length.
- ψ Use a counter slope of 20:1 or flatter at the base of sidewalk ramps. See curb and gutter detail sheet.
- ⊗ Detectable warning installation is typical and required on Sidewalk Ramps Type 1, Type 2, Type 3, median ramp crossings and other locations as shown in the plans. See ramp detail sheet.

TYPICAL SIDEWALK PLAN AND DETAILS



SIDEWALK THICKENING

Note: All Sidewalk at Back of Curb Shall Conform to this Detail



REINFORCEMENT DIAGRAM SIDEWALK THROUGH DRIVE APPROACH



**STREET IMPROVEMENTS FOR
MT. VERNON & HILLSIDE INTERSECTION
PAVING PLANS**

©2019 MKEC Engineering All Rights Reserved www.mkec.com
These drawings and their contents, including, but not limited to, all concepts, designs, & ideas are the exclusive property of MKEC Engineering (MKEC), and may not be used or reproduced in any way without the express consent of MKEC.

SIDEWALK DETAILS

| | | |
|-------------|-----------|---------|
| PROJECT NO. | 472-85286 | |
| DATE | DATE | |
| SCALE | NTS | |
| DESIGNED | DRAWN | CHECKED |
| JRA | RAM | JRA |
| NO. | REVISION | DATE |

SHEET NO.
29 OF 101

J:\PROJECTS\2019\1601010151_Mt. VERNON AND HILLSIDE_160151\CAD\SHOTS\05 CIVIL\PAV\16151-LE02.DWG