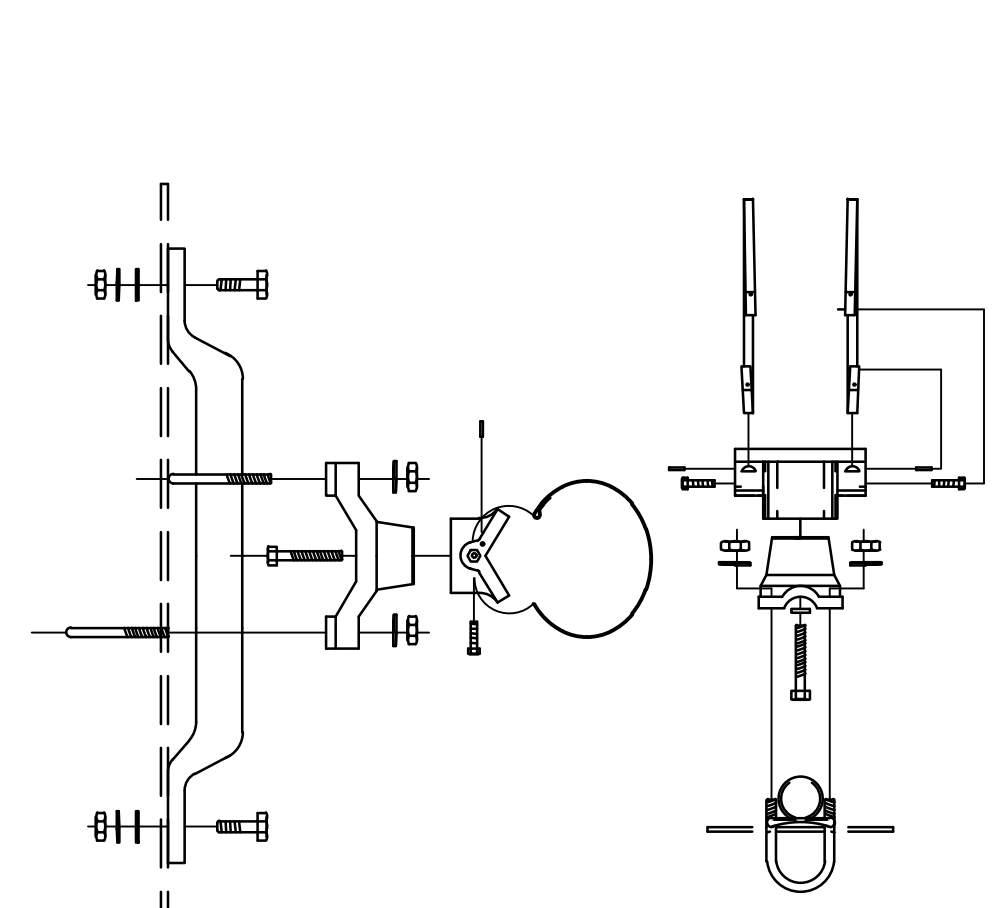
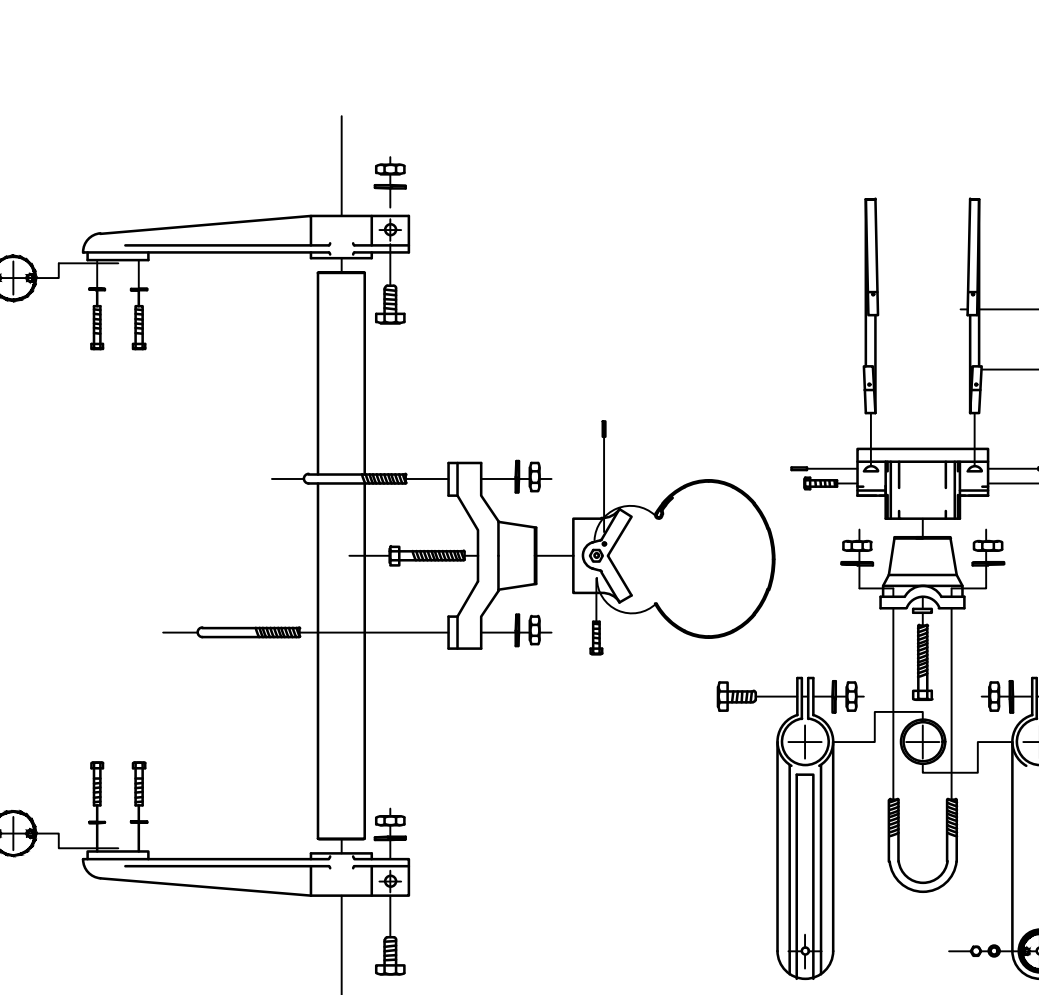


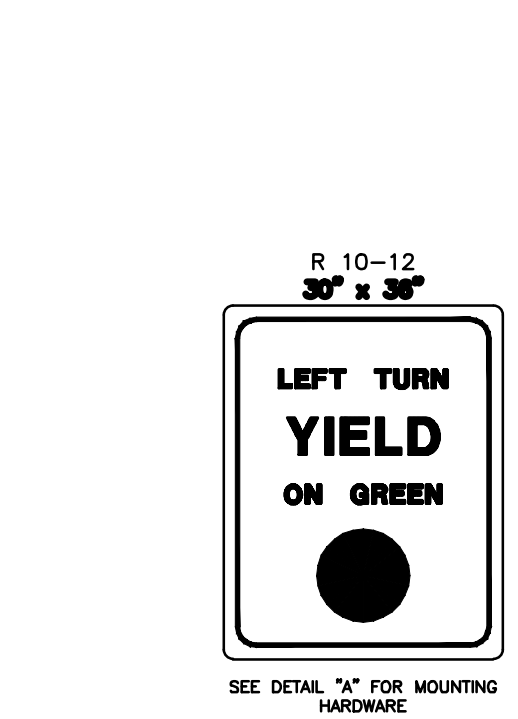
BANDED SIGN MOUNTING BRACKET DETAIL



TYPE I SIGNAL MOUNTING BRACKET ASSEMBLY DETAIL



STANDARD SIGNING



A

B

C

PUSH BUTTON CONFIGURATION

Message and Sound options include:

- Locating tone
- Verbal Street Name (Example: Crossing Main at Central)
- All features field selectable using a Configurator.

Construction:

- Die-cast aluminum, powder coated Black in color.
- Street Name in Braille in the directional arrow of the sign.
- Option "B" signing option.

Push button:

- ADA compliant
- Raised tactile arrow on the button
- Solid State switch rated at a Minimum of 20 million actuations

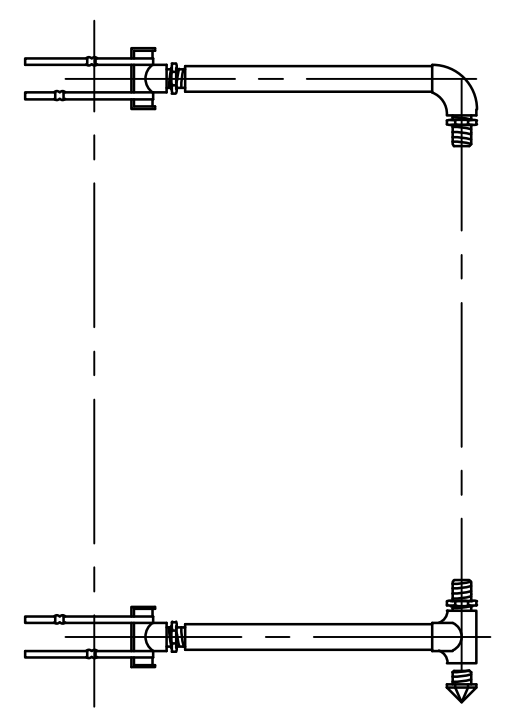
DWG. NO. NASAND-X

PLATE MARKING OPTIONS

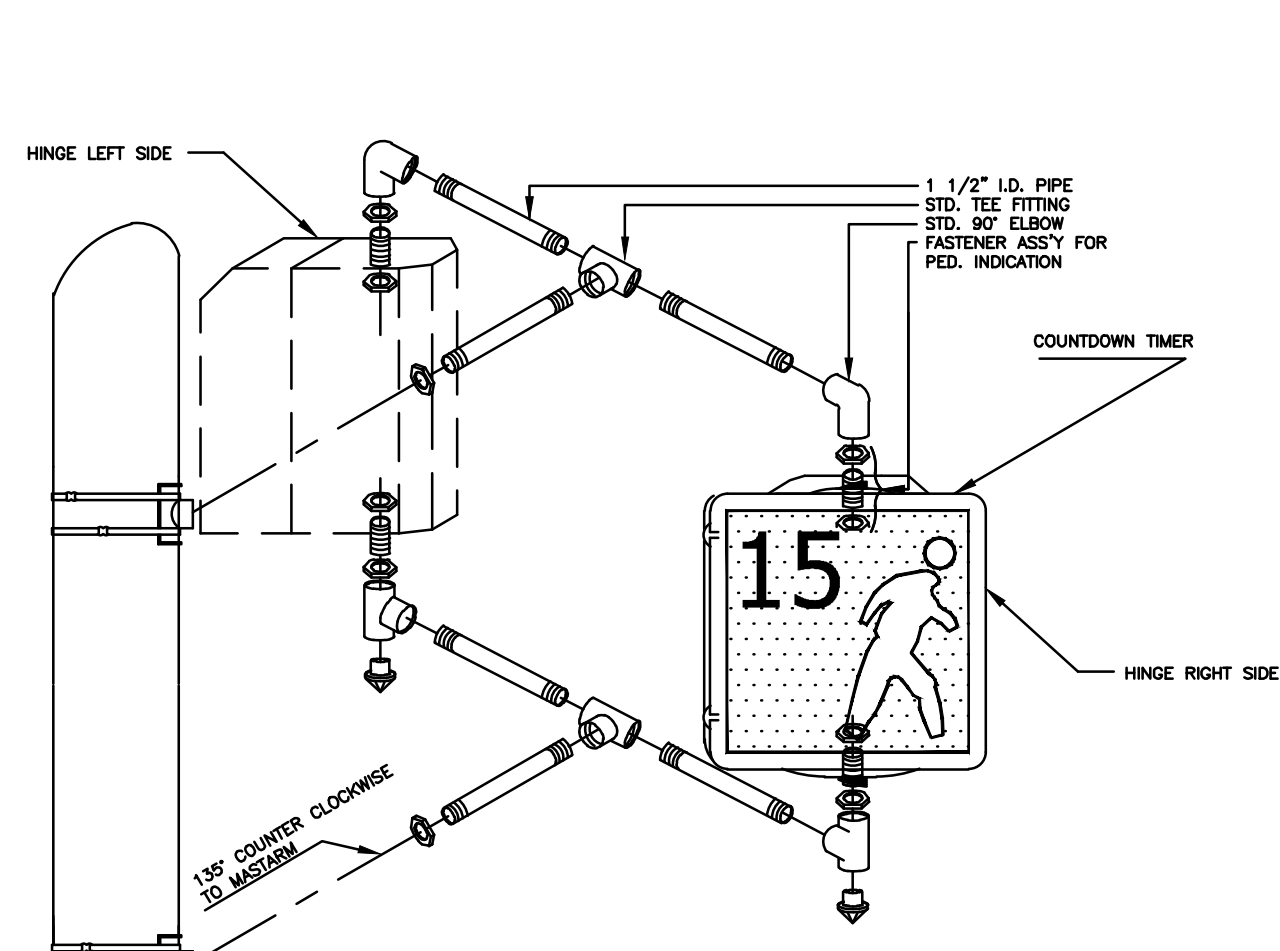
STANDARD OPTION A

OPTION B

TYPE III SIDE-OF-POLE MOUNTING BRACKET ASSEMBLY



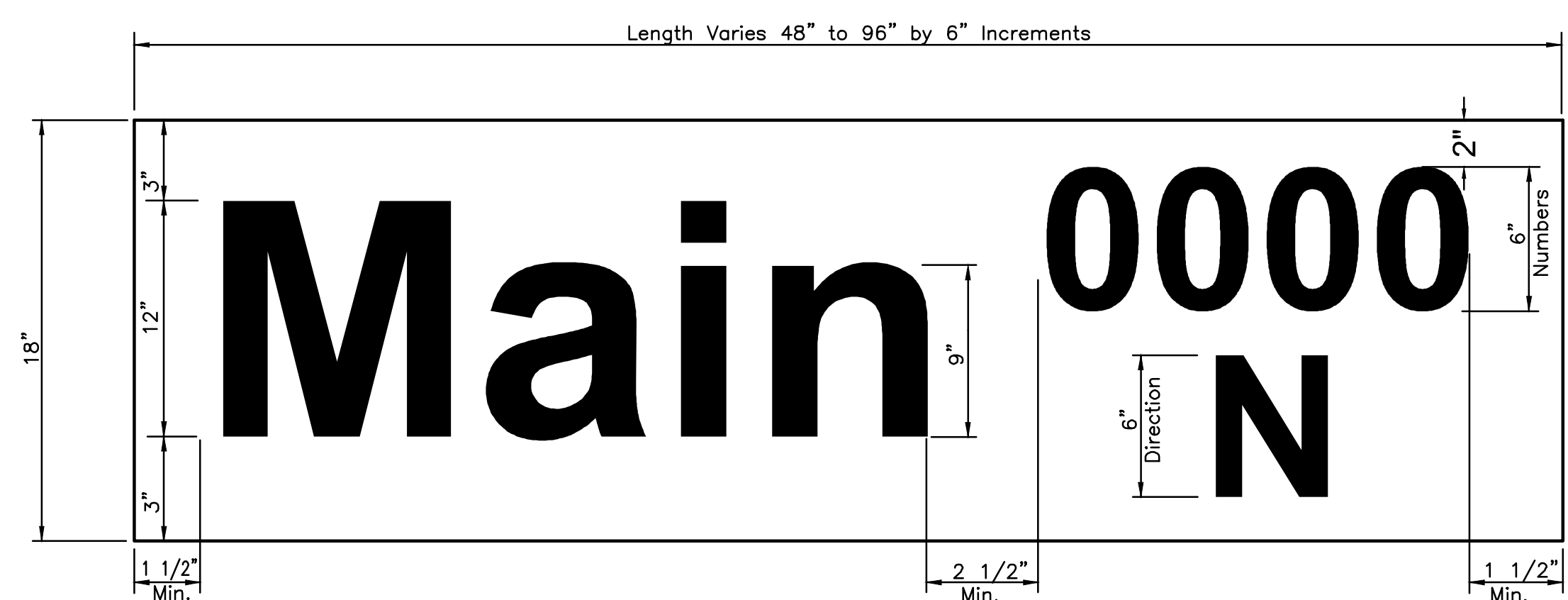
TYPE II SIGNAL MOUNTING BRACKET ASSEMBLY (SIDE-OF-POLE)



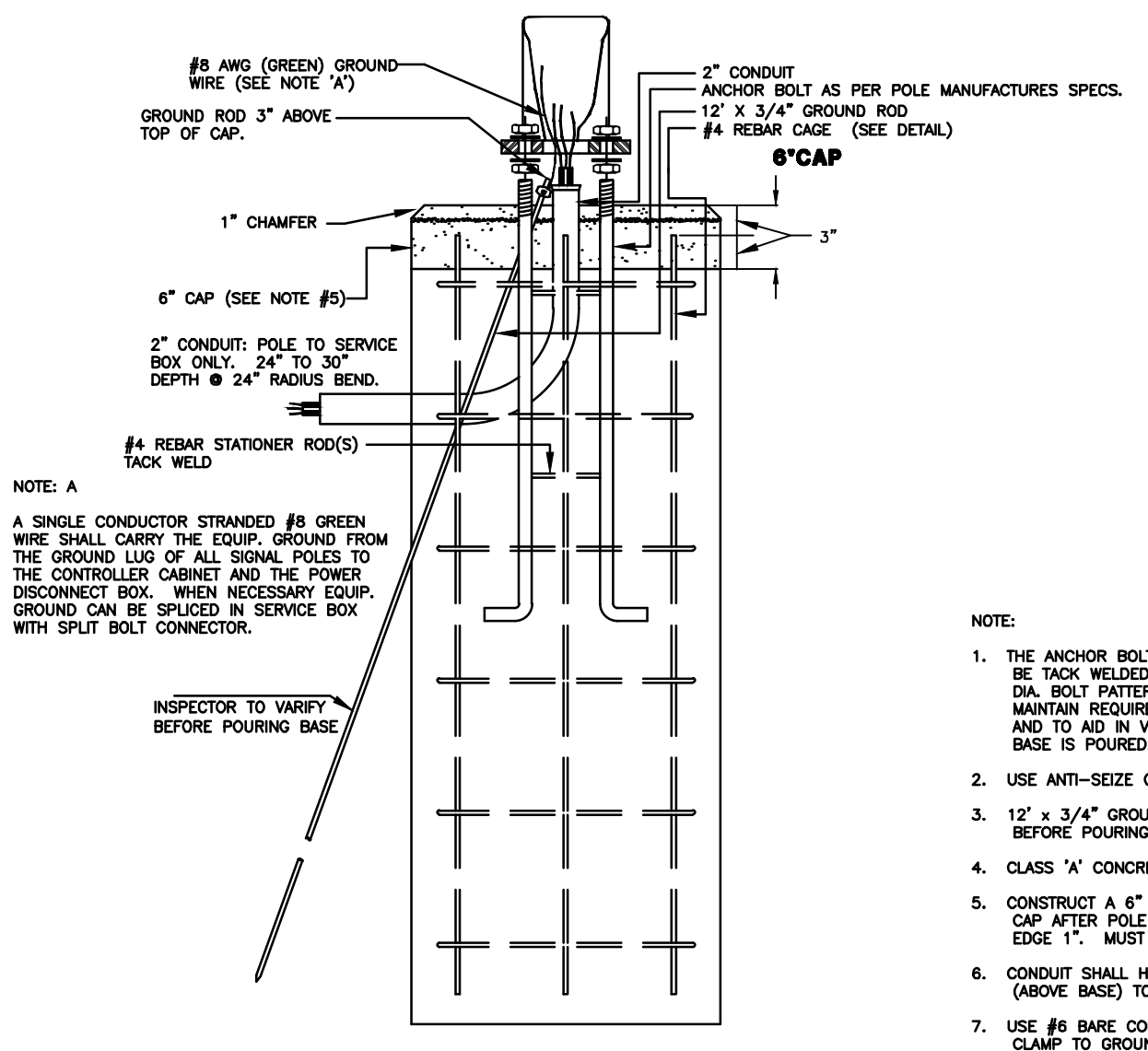
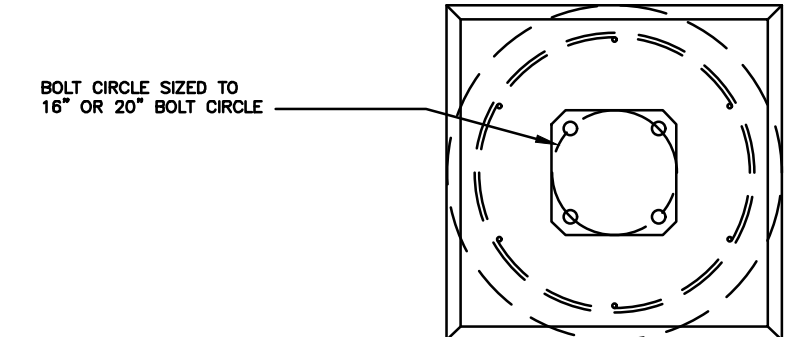
F

D

1. DIRECTIONAL ALIGNMENT OF PED. INDICATIONS & BRACKET(S) SHALL BE DETERMINED IN THE FIELD BY THE ENGINEER.
2. THROUGH HOLES IN THE POLE SHALL BE DRILLED AND WELL REAMED TO PREVENT CABLE CHAFING.
3. HINGE PEDESTRIAN SIGNAL DOORS AWAY FROM POLE.
4. CLAM SHELL BRACKETS ARE NOT ACCEPTABLE.



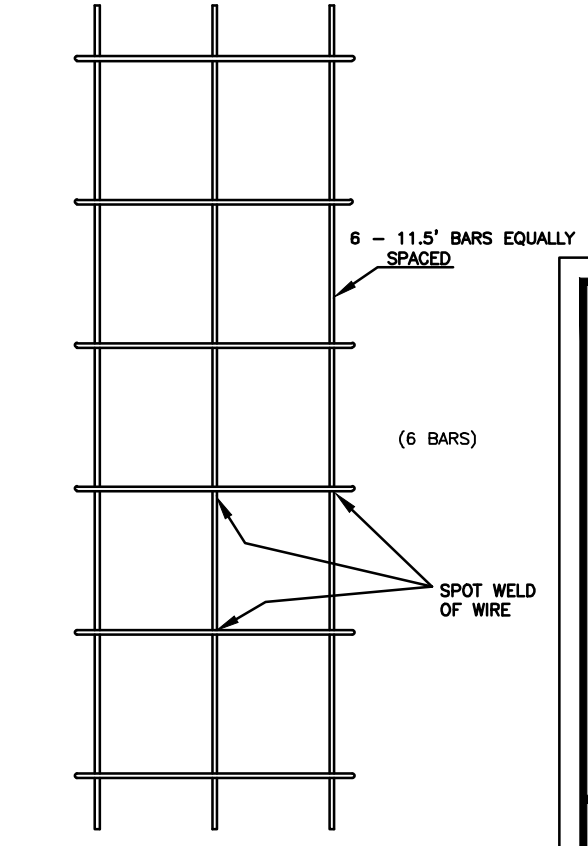
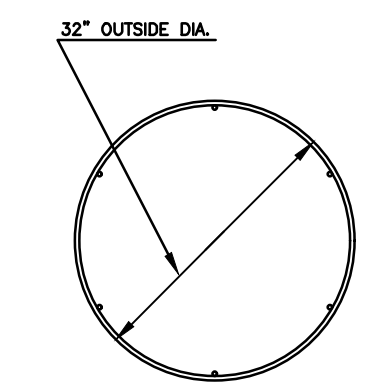
DETAIL D METRO



NOTE:

1. THE ANCHOR BOLTS FOR THE SIGNAL POLE SHALL BE TACK WELDED TOGETHER IN A 16" OR 20" DIA. BOLT PATTERN (ON CENTERS AS SHOWN) TO MAINTAIN REQUIRED BOLT CONFIGURATION PATTERN AND TO AID IN VERTICAL POSITIONING WHILE CONCRETE BASE IS POURED.
2. USE ANTI-SEIZE COMPOUND ON ALL THREADS.
3. 12" x 3/4" GROUND ROD TO BE POSITIONED BEFORE POURING BASE.
4. CLASS 'A' CONCRETE SHALL BE USED TO CONSTRUCT BASE.
5. CONSTRUCT A 6" THICK x 36" SQUARE CONCRETE CAP AFTER POLE HAS BEEN ERECTED & PLUMBED. CHAMFER EDGE 1". MUST BE APPROVED BY ENG. BEFORE POURING.
6. CONDUIT SHALL HAVE PLASTIC (OR METAL) BUSHING (ABOVE BASE) TO PREVENT CABLE CHAFING.
7. USE #8 BARE COPPER GROUND CONDUCTOR FROM CLAMP TO GROUND BOLT IN ACCESS HOLE.

REBAR CAGE



E

CITY OF WICHITA

PUBLIC WORKS & UTILITIES ENGINEERING DIVISION

REVISED: AUGUST 2014

STEEL SIGNAL POLE ASSEMBLY DETAILS

TRAFFIC ENGINEER
BRIAN A. COON, P.E.

PROJECT NUMBER 472-85286	OGA NUMBER 707100	DATE Date
CITY ENGINEER'S OFFICE CITY HALL - SEVENTH FLOOR 455 NORTH MAIN STREET WICHITA, KANSAS 67202-1620 (316) 268-4501		SHEET 62 OF 101

Save 04-11-2019 2:22:26 PM by JACOBSW
Plot Scale 1:1 04-16-2019 4:03:53 PM by WADE JACOBS
J:\Projects\2016\1601010151_mtl_vernon and hillsdale\1601010151.dwg

J:\Projects\2016\1601010151_mtl_vernon and hillsdale\1601010151.dwg