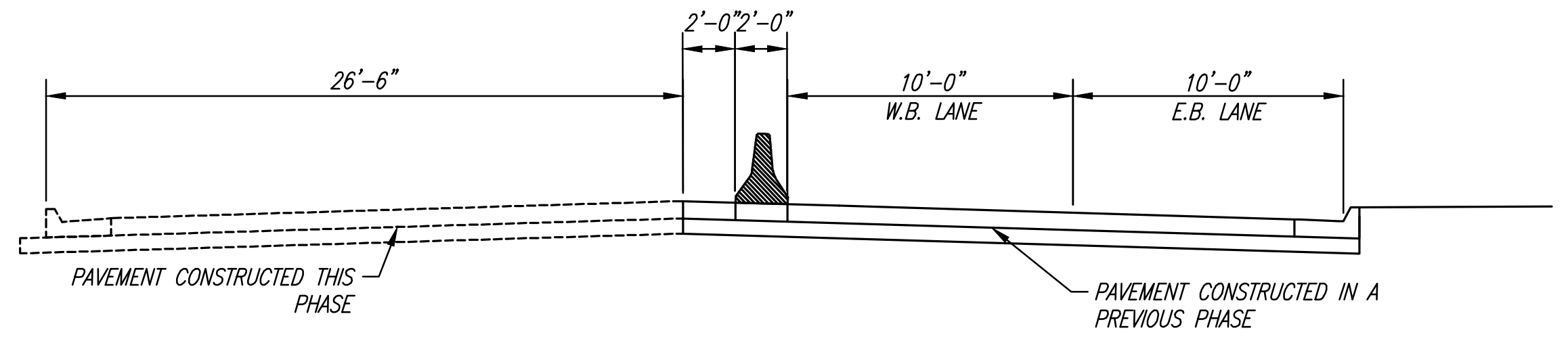
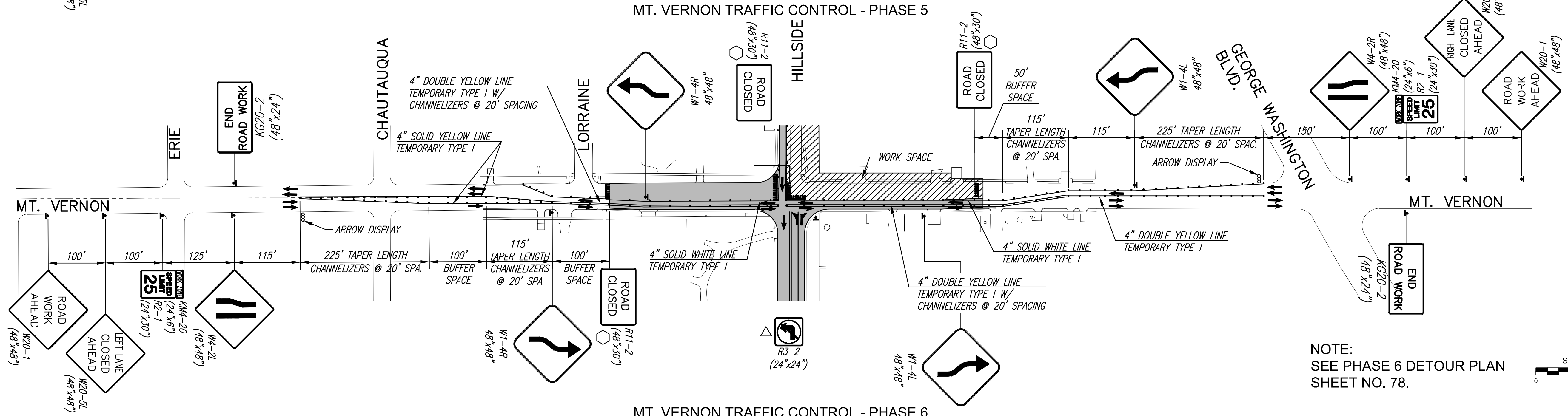
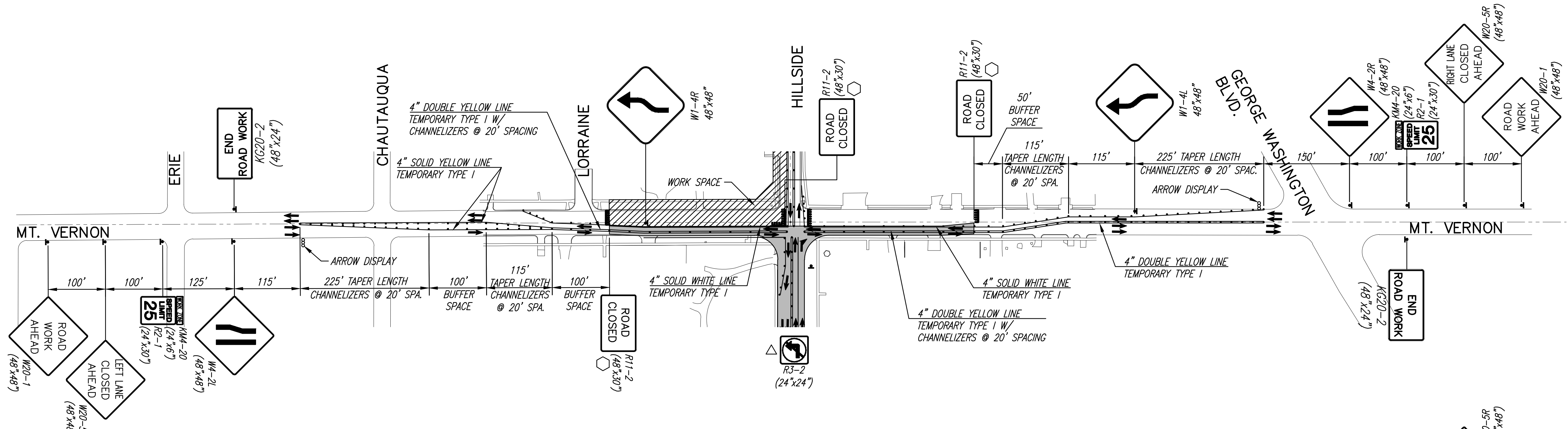


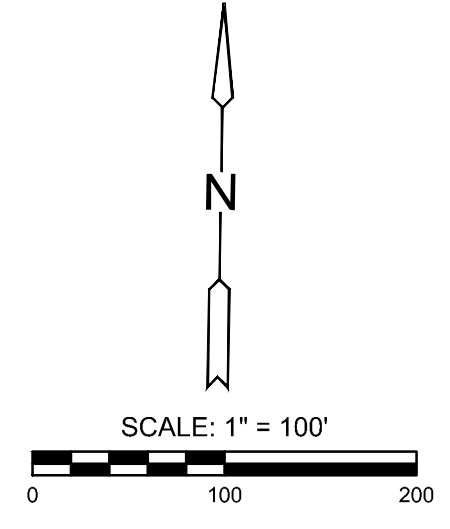
J:\PROJECTS\2018\1601010451_MT_VERNON AND HILLSIDE_160151_CADD\SHOTS\06_CIVIL\TRAFFIC\16151-TPV5.DWG
 PLOTTED: Tuesday, April 16, 2018 @ 04:05PM

STREET IMPROVEMENTS FOR
MT. VERNON & HILLSIDE INTERSECTION
 PAVING PLANS



MT. VERNON-PHASE 5 & 6 SECTION

NOTE:
 SEE PHASE 6 DETOUR PLAN
 SHEET NO. 78.



- LEGEND**
- Type III Barricades with lights
 - Mount On Type III Barricade
 - Type B Warning Light
 - Sign
 - Traffic Flow
 - Work Space
 - Construction Completed
 - Channelizer
 - Erect two signs for the West, East and North approach. One sign to be mounted on traffic signal mast arm or span wire. Left turns will be permitted on the South approach.

©2018
 MKEC Engineering
 All Rights Reserved
 www.mkec.com
 These drawings and their contents, including, but not limited to, all concepts, designs, & ideas are the exclusive property of MKEC Engineering (MKEC), and may not be used or reproduced in any way without the express consent of MKEC.

TRAFFIC CONTROL PLAN, PHASE 5 & 6 MT. VERNON		
PROJECT NO.	472-85286	
DATE	DATE	
SCALE	1"=100'	
DESIGNED	DRAWN	CHECKED
JRA	WNJ	JRA
NO.	REVISION	DATE
SHEET NO.		
74 OF 101		