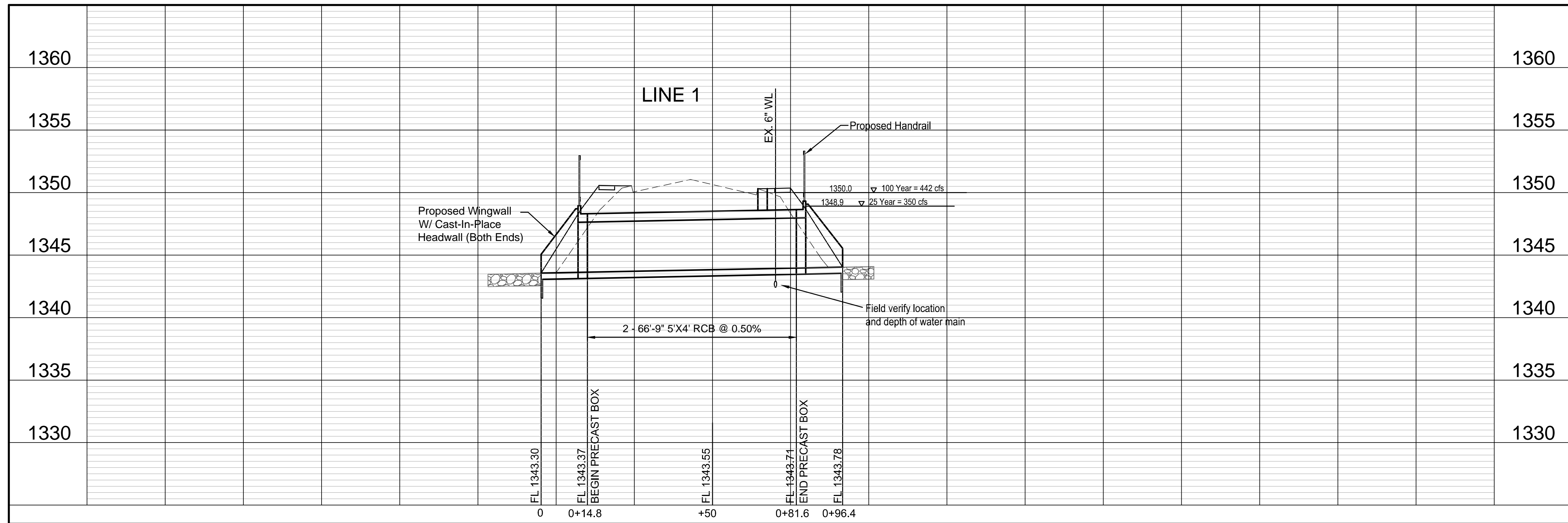
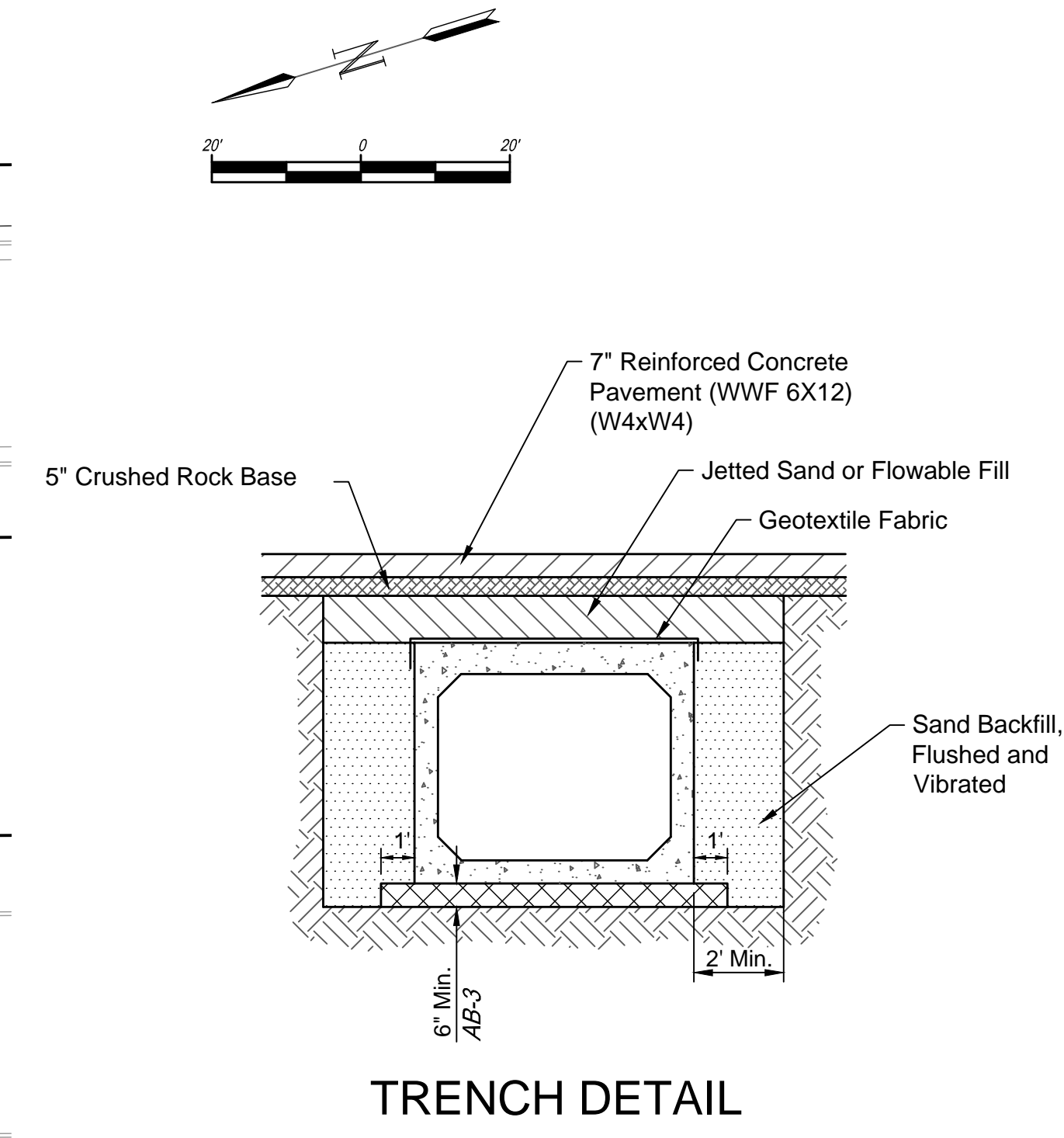
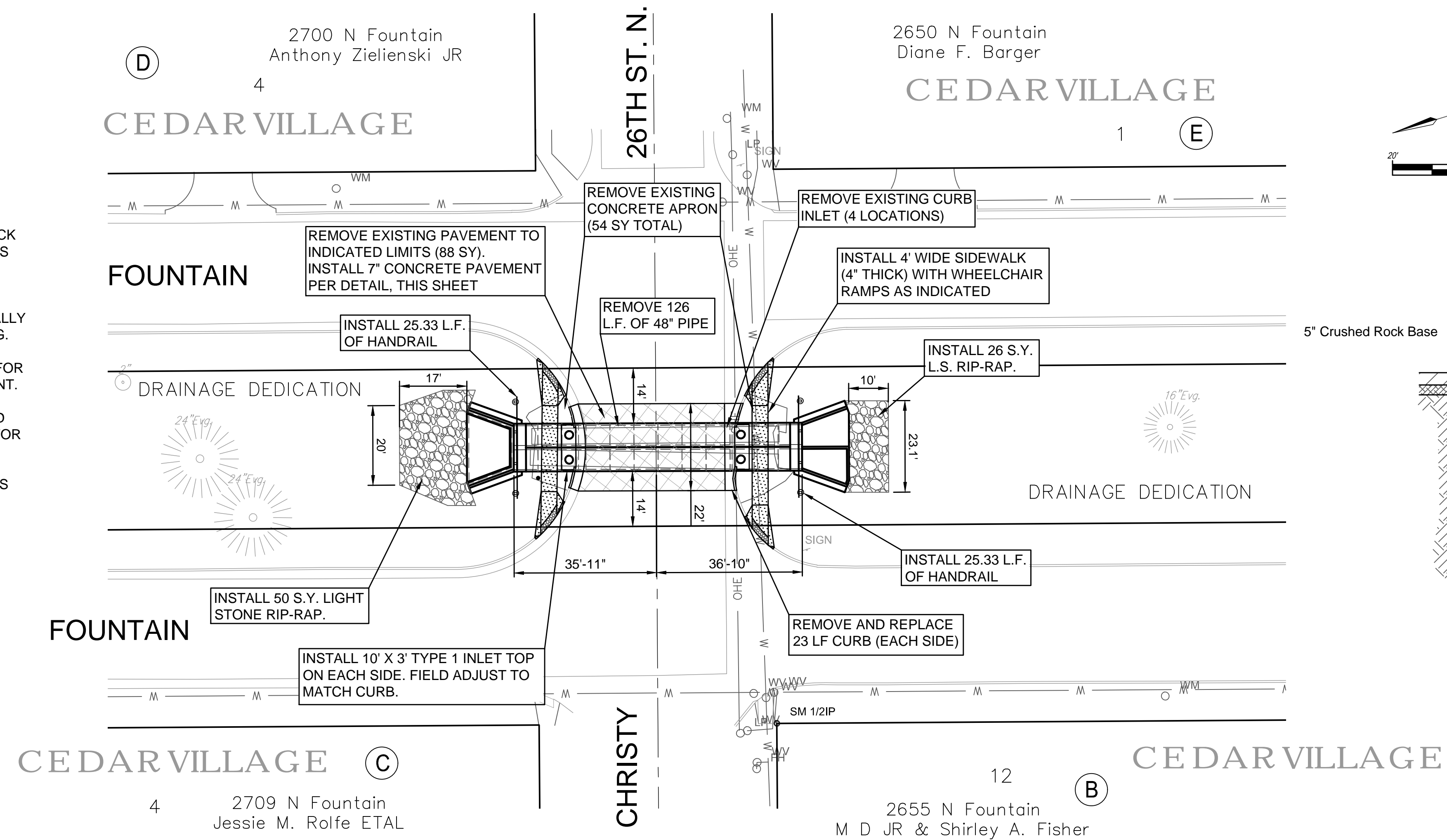


NOTES

- 7" REINFORCED CONCRETE PAVEMENT (W/5" REINFORCED ROCK BASE) SHALL BE INSTALLED IN ALL AREAS WHERE PAVEMENT IS REMOVED. DOWEL INTO EXISTING CONCRETE PAVEMENT.
- INSTALL PRECAST BOXES WITH 1" SEPERATION BETWEEN AND GROUT BETWEEN BOXES. CONTRACTOR MAY NEED TO PARTIALLY BACKFILL AROUND BOXES FOR STABILITY PRIOR TO GROUTING.
- CONTRACTOR SHALL INSTALL GEOTEXTILE FABRIC SUITABLE FOR BRIDGE BACKWALL PROTECTION BETWEEN BOX AND PAVEMENT.
- BACKFILL TRENCH ON BOTH SIDES OF BOX WITH FLUSHED AND VIBRATED SAND (SEE DETAIL). SUBSIDIARY TO THE BID ITEM FOR "PIPE, RCB"
- REGRADE CHANNEL AS INDICATED. 3:1 MAXIMUM SIDE SLOPES UNLESS PROTECTED BY LIGHT STONE RIP-RAP.
- CONTRACTOR SHALL INSTALL BRICK OR PRECAST RISERS AS NECESSARY TO INSTALL INLETS AT INDICATED GRADES.



© 2018 GARVER, LLC
THIS DOCUMENT, ALONG WITH THE IDEAS AND DESIGNS CONVEYED HEREIN, SHALL BE CONSIDERED INSTRUMENTS OF PROFESSIONAL SERVICE AND ARE PROPERTY OF GARVER, LLC. ANY USE, REPRODUCTION, OR DISTRIBUTION OF THIS DOCUMENT, ALONG WITH THE IDEAS AND DESIGN CONTAINED HEREIN, IS PROHIBITED UNLESS AUTHORIZED IN WRITING BY GARVER, LLC OR EXPLICITLY ALLOWED IN THE GOVERNING PROFESSIONAL SERVICES AGREEMENT FOR THIS WORK.
8535 E. 21st Street North Suite 130
Wichita, Kansas 67206



REV.	DATE	DESCRIPTION	BY



CITY OF WICHITA
KANSAS
FOUNTAIN BOX REPLACEMENT

Fountain RCB Plan-Profile

JOB NO.: 19T41013
DATE: MAY 2019
DESIGNED BY: KWL
DRAWN BY: KWL

BAR IS ONE INCH ON ORIGINAL DRAWING
IF NOT ONE INCH ON THIS SHEET, ADJUST SCALES ACCORDINGLY.

DRAWING NUMBER

File: L:\2019\19T41013 - Fountain Box Plan Review\Drawings\C3D\3866D Fountain Engineering Base.dwg Last Save: 6/7/2019 8:43 AM Last saved by: KWL
Last plotted by: Lee, Ken W. Plot Style: Plot Scale: 1:25849 Plot Date: 6/10/2019 7:20 AM Plotter used: None