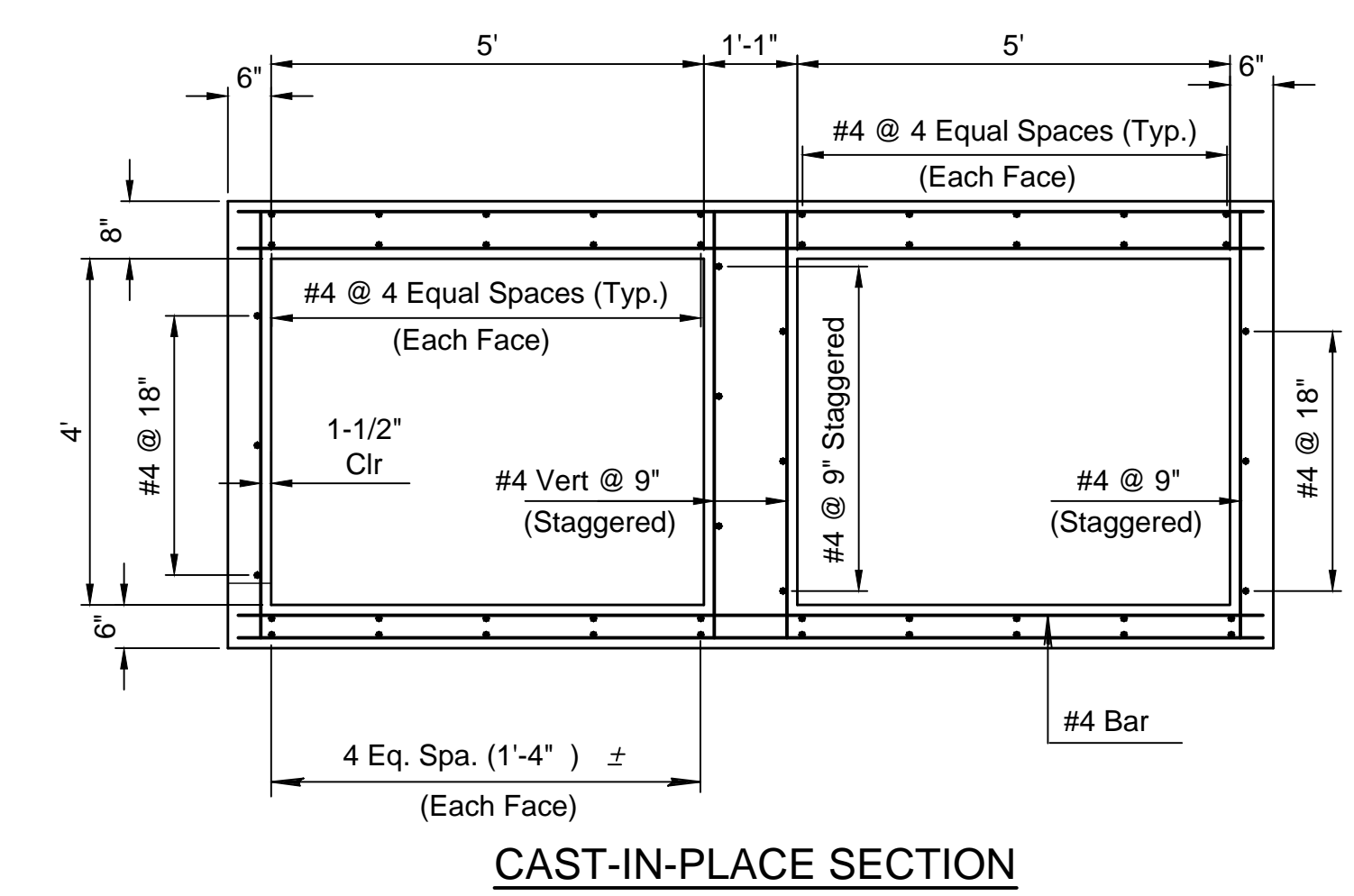
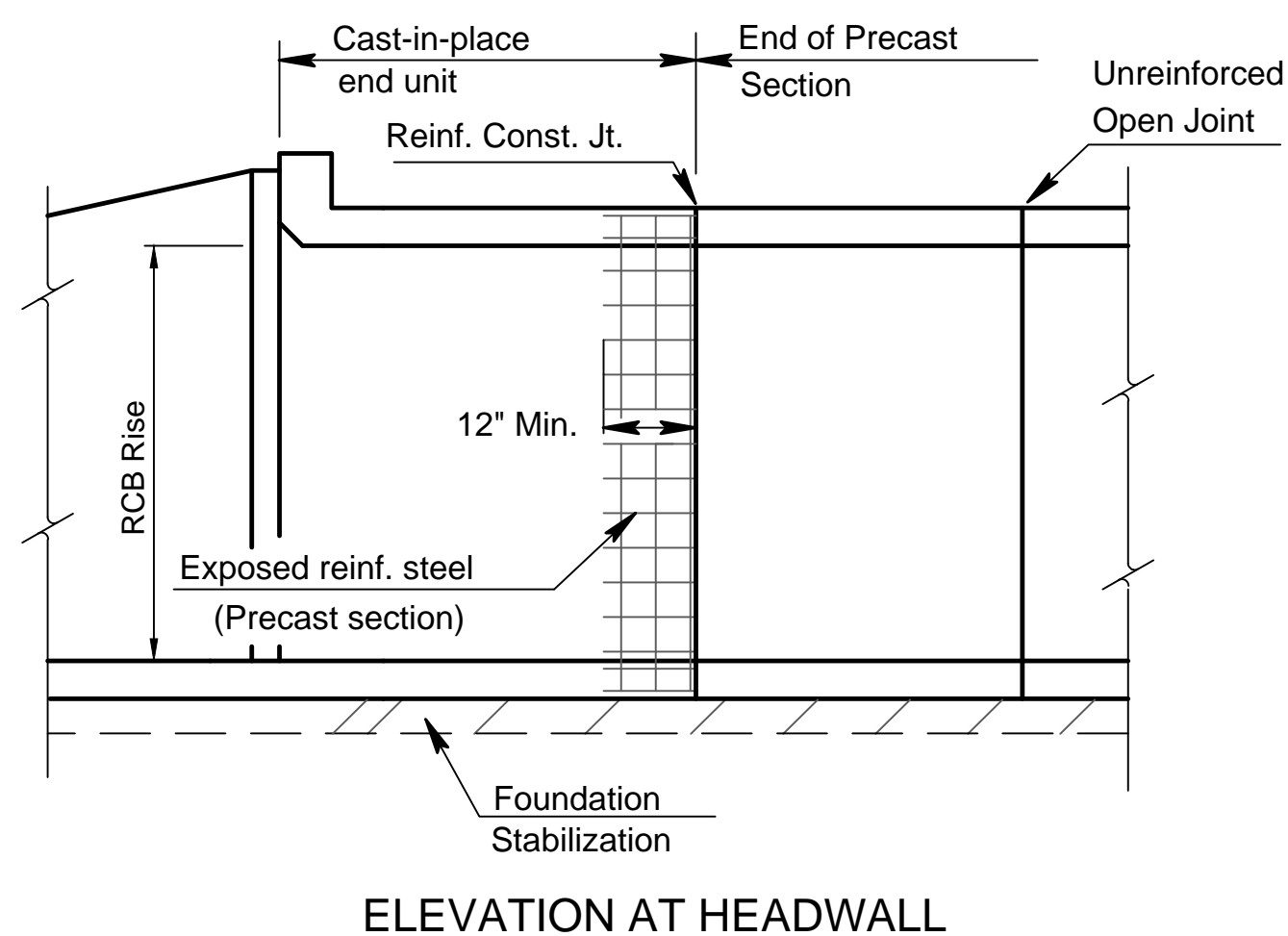
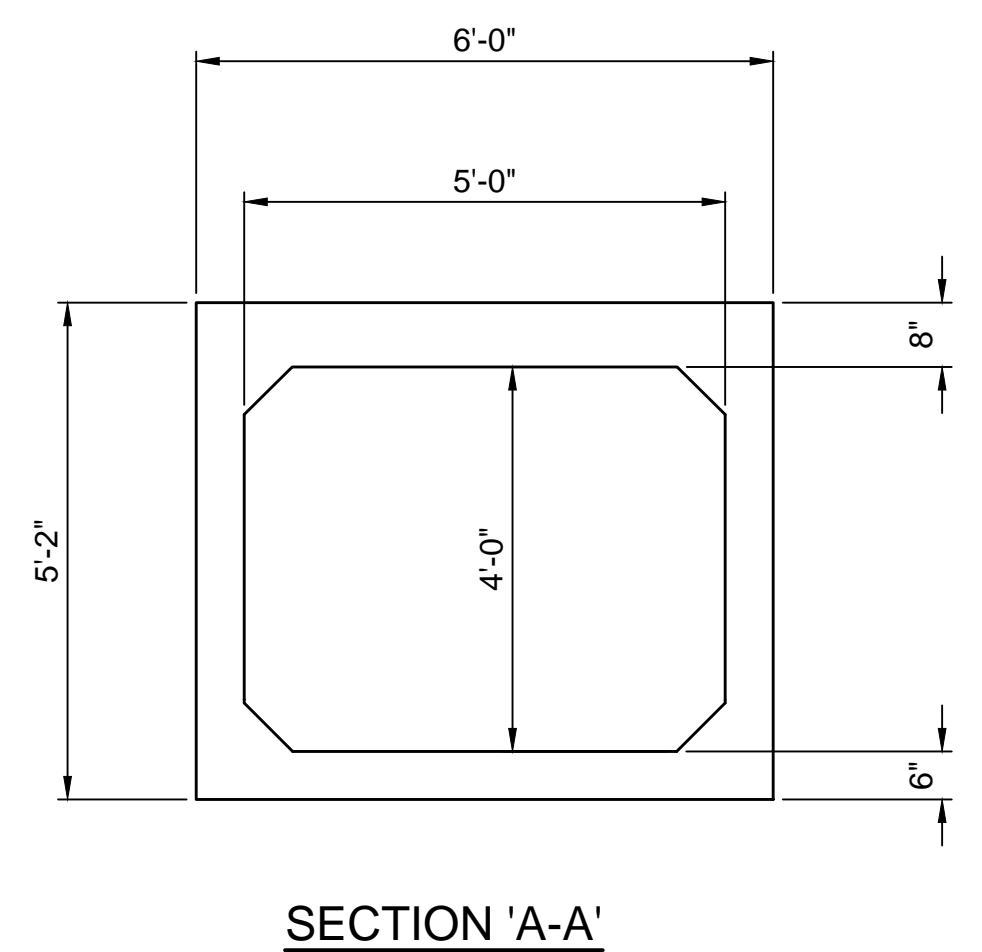
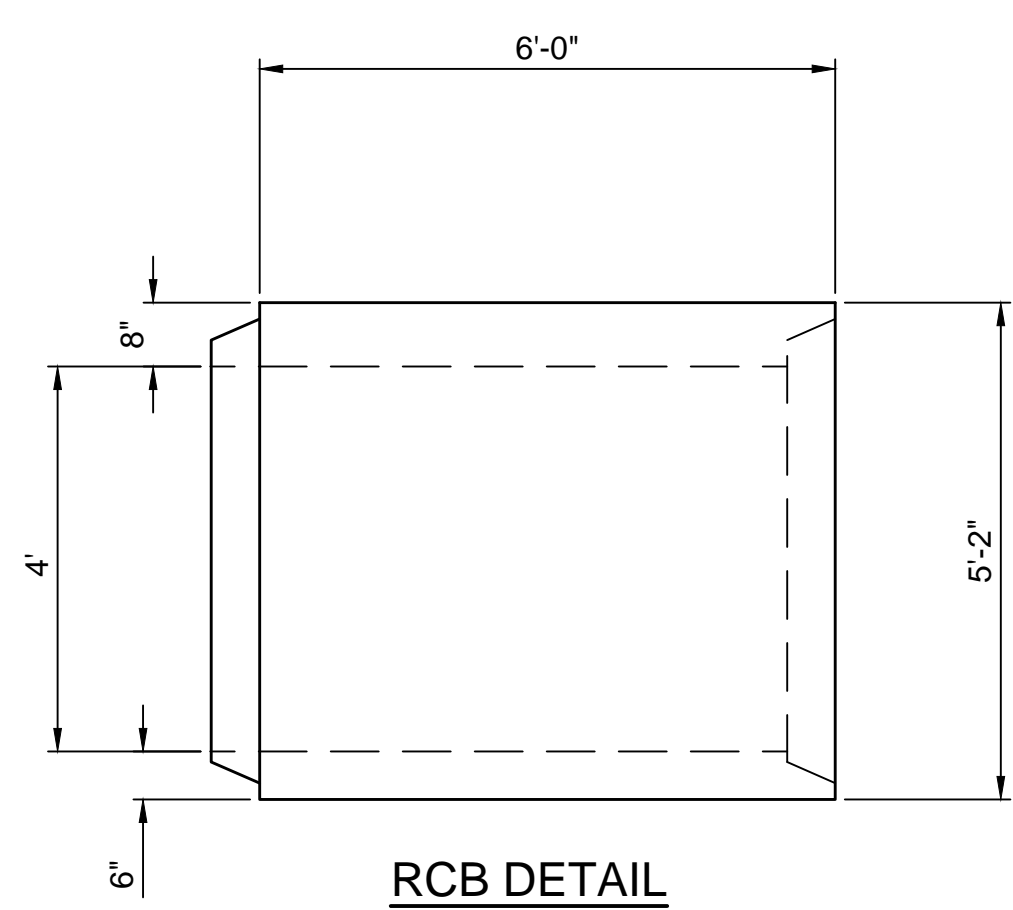
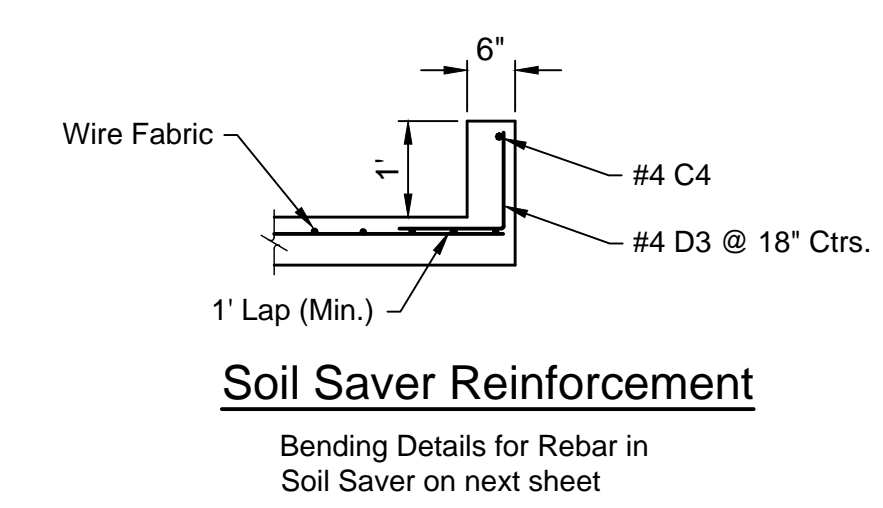
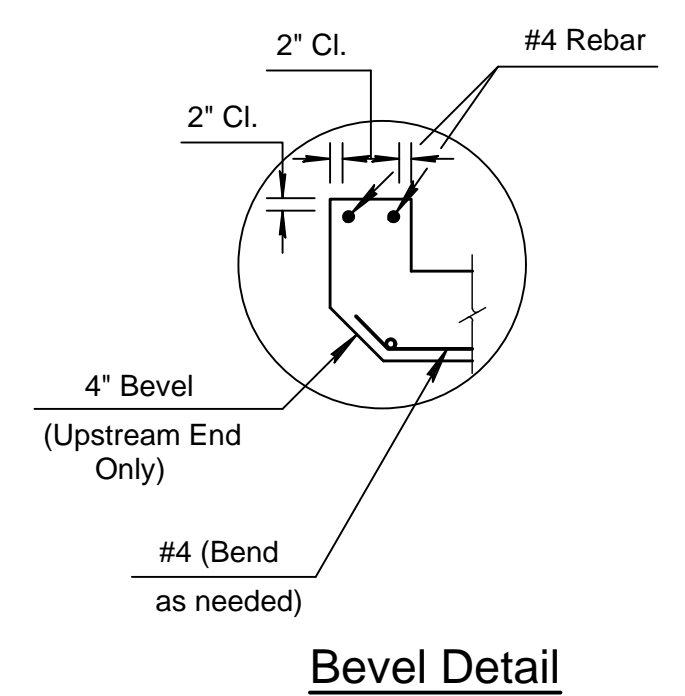
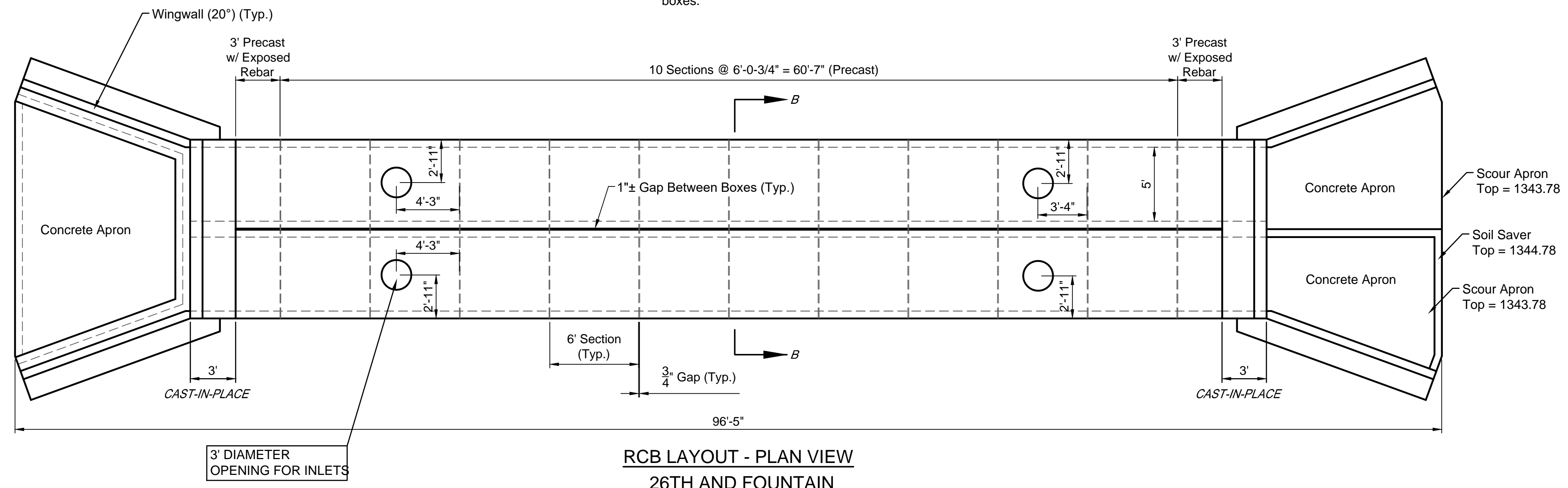


Concrete in the top slab (above the construction joint when applicable) shall be Grade 4.0(AE). At the contractor's option, all concrete in box may include air entrainment.

NOTES:
Fill space between boxes with grout. To maintain proper joint gap, partially backfill boxes prior to grouting or provide a mechanical connection between boxes.



GARVER

© 2018 GARVER, LLC
THIS DOCUMENT, ALONG WITH THE IDEAS AND DESIGNS CONVEYED HEREIN, SHALL BE CONSIDERED INSTRUMENTS OF PROFESSIONAL SERVICE AND ARE PROPERTY OF GARVER, LLC. ANY USE, REPRODUCTION, OR DISTRIBUTION OF THIS DOCUMENT, ALONG WITH THE IDEAS AND DESIGN CONTAINED HEREIN, IS PROHIBITED UNLESS AUTHORIZED IN WRITING BY GARVER, LLC OR EXPLICITLY ALLOWED IN THE GOVERNING PROFESSIONAL SERVICES AGREEMENT FOR THIS WORK.

8535 E. 21st Street North
Suite 130
Wichita, Kansas 67206

KENNETH W. LEE
LICENSED PROFESSIONAL ENGINEER
15373
6-10-19
KANSAS

REV.	DATE	DESCRIPTION	BY

CITY OF WICHITA
KANSAS

WICHITA
CITY ENGINEER
WICHITA, KS

FOUNTAIN BOX REPLACEMENT

Fountain RCB Precast Details

JOB NO.: 19T41013
DATE: MAY 2019
DESIGNED BY: KWL
DRAWN BY: KWL

BAR IS ONE INCH ON ORIGINAL DRAWING
IF NOT ONE INCH ON THIS SHEET, ADJUST SCALES ACCORDINGLY.

DRAWING NUMBER

SHEET NUMBER **4** OF **9**

File: L:\2019\19T41013 - Fountain Box Plan Review\Drawings\C3D\3866D Fountain Engineering Base.dwg Last Save: 6/7/2019 8:43 AM Last saved by: KWL/lee
Last plotted by: Lee, Ken W. Plot Style: Plot Date: 6/10/2019 7:20 AM Plotter used: None