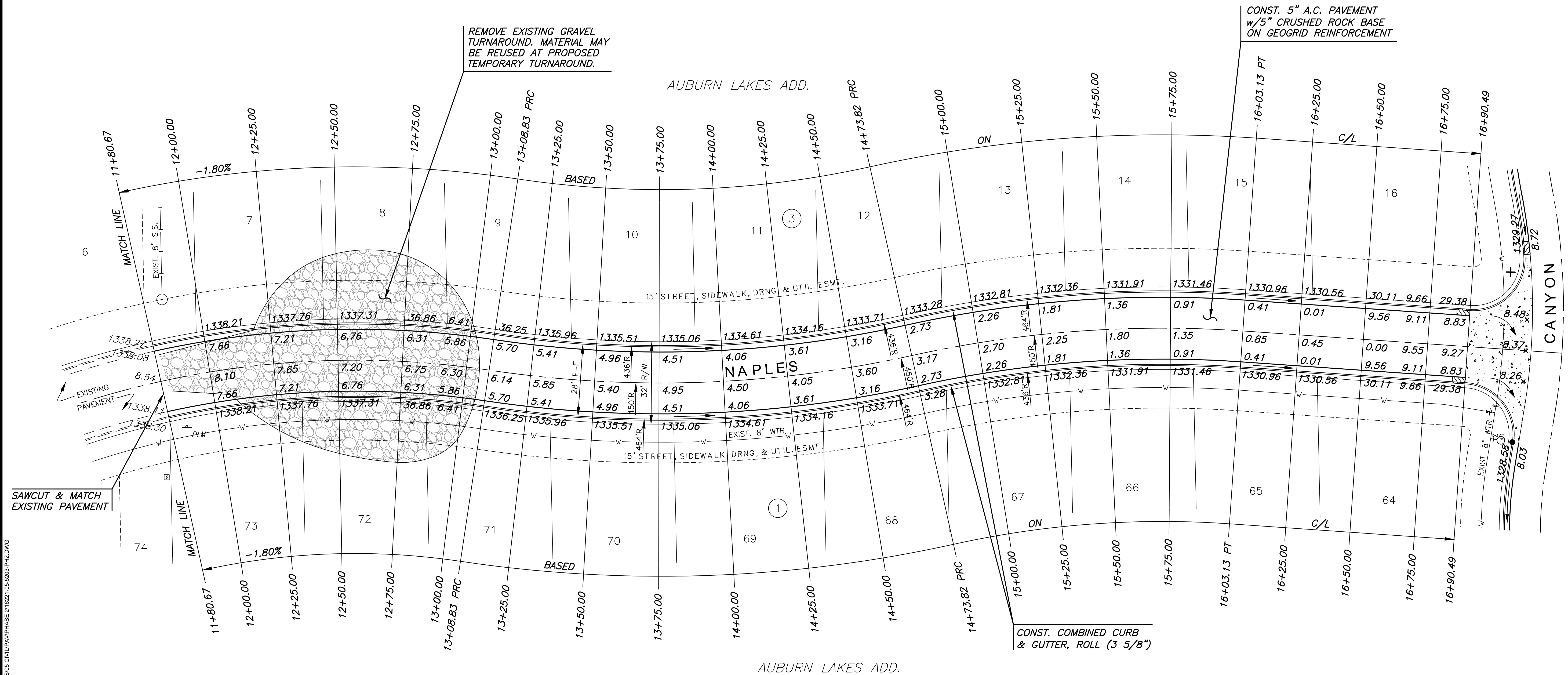


PLOTTED: Tuesday, July 30, 2019 @ 11:26AM

J:\PROJECTS\2018\1601010221\_PERFECTION\_AUBURN\_LAKES\_16221\_CAD\SHOTS\05\_CIVIL\PAV\PHASE 2\16221-05-5025-PH2.DWG

PAVING & INCIDENTAL DRAINAGE FOR  
**AUBURN LAKES ADDITION**  
PHASE 2



SAWCUT & MATCH EXISTING PAVEMENT

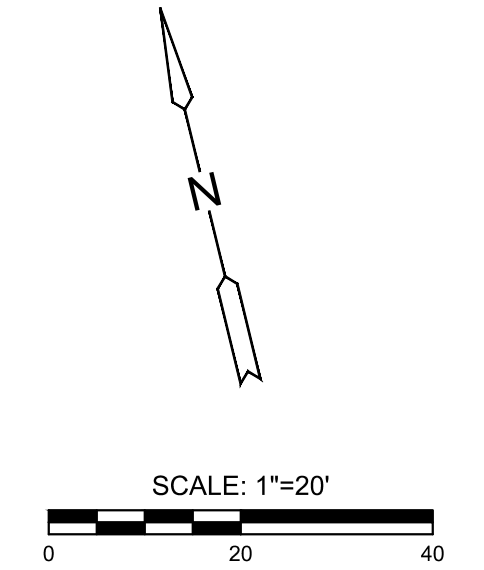
REMOVE EXISTING GRAVEL TURNAROUND. MATERIAL MAY BE REUSED AT PROPOSED TEMPORARY TURNAROUND.

CONST. 5" A.C. PAVEMENT w/5" CRUSHED ROCK BASE ON GEOGRID REINFORCEMENT

CONST. COMBINED CURB & GUTTER, ROLL (3 5/8")

- NOTES:**
- TOP OF CURB ELEVATIONS SHOWN ARE FOR FULL CURB. CONSTRUCT CURB AND GUTTER AS NOTED.
  - PVC SLEEVES TO BE BURIED AT A DEPTH OF 2' TO TOP OF SLEEVE, MINIMUM.

- LEGEND**
- STREET SIGN & SIGN LOCATION (SEE SIGN ASSEMBLY TABLE FOR TYPE & STATION OF SIGN)
  - 5' TRANSITION FROM FULL TO ROLL CURB



©2019 MKEC Engineering All Rights Reserved www.mkec.com  
These drawings and their contents, including, but not limited to, all concepts, designs, & ideas are the exclusive property of MKEC Engineering (MKEC), and may not be used or reproduced in any way without the express consent of MKEC.

<b>NAPLES</b>		
PROJECT NO.	472-85328	
DATE	JULY 2019	
SCALE	1" = 20'	
DESIGNED	DRAWN	CHECKED
DFL	JWC	GJA
NO.	REVISION	DATE
SHEET NO.		
11 OF 38		