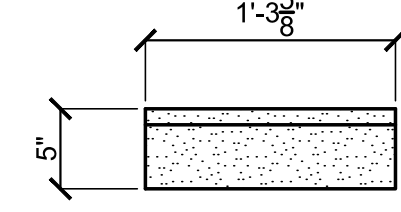
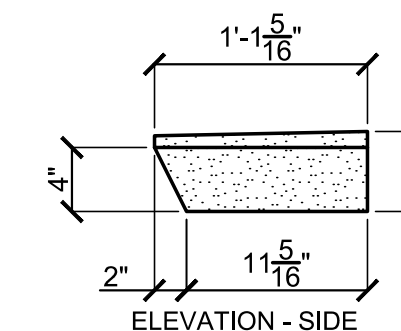


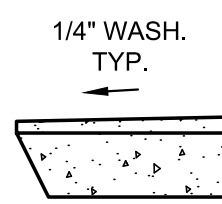
CAP 2 CONFIGURATION



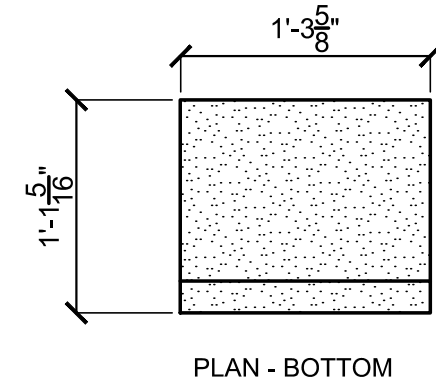
ELEVATION - FRONT



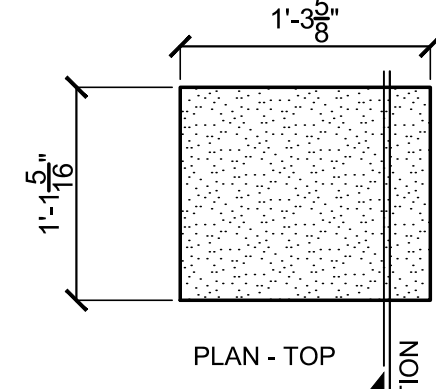
ELEVATION - SIDE



SECTION

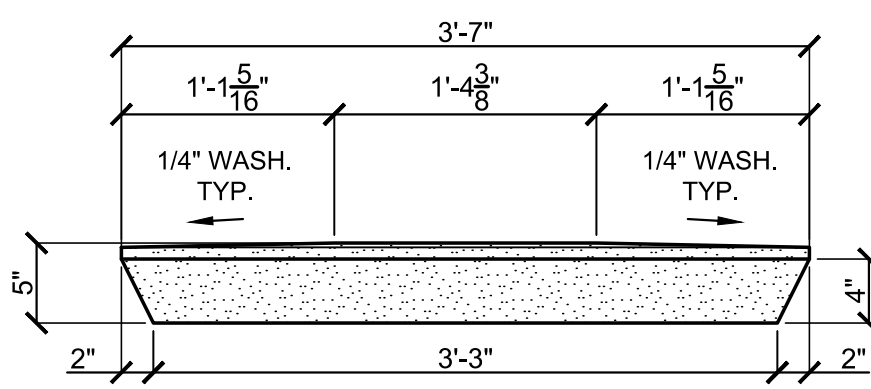


PLAN - BOTTOM

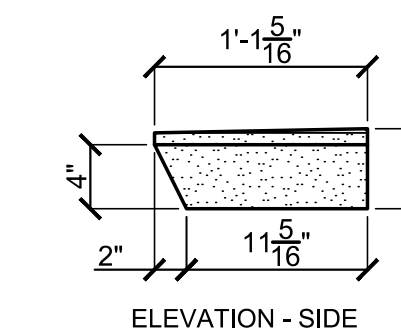


PLAN - TOP

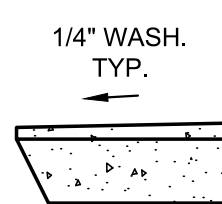
CAP 1A



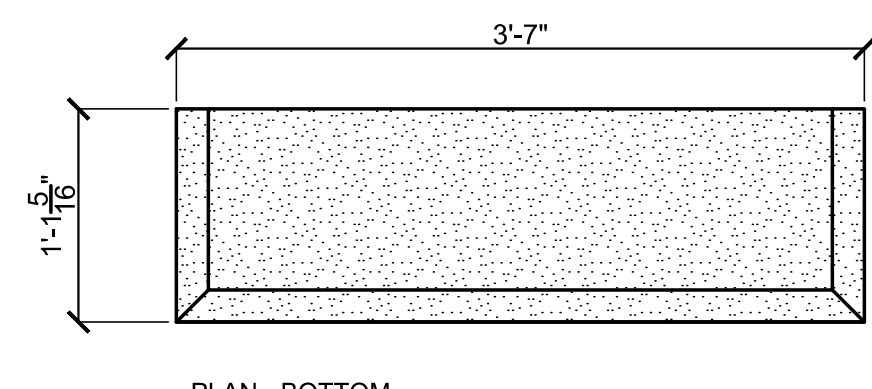
ELEVATION - FRONT



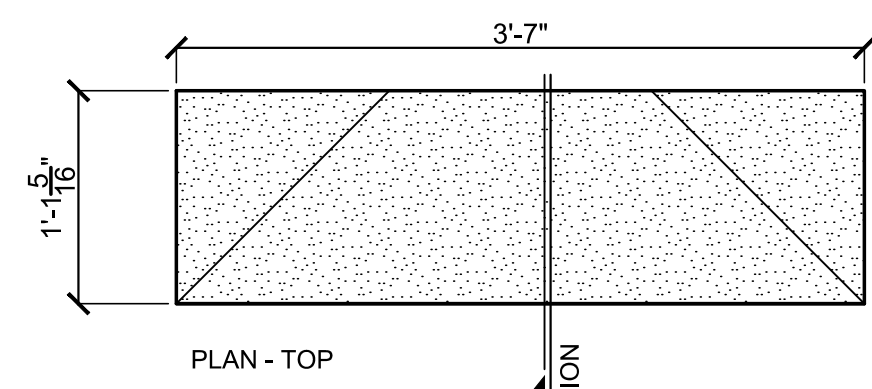
ELEVATION - SIDE



SECTION



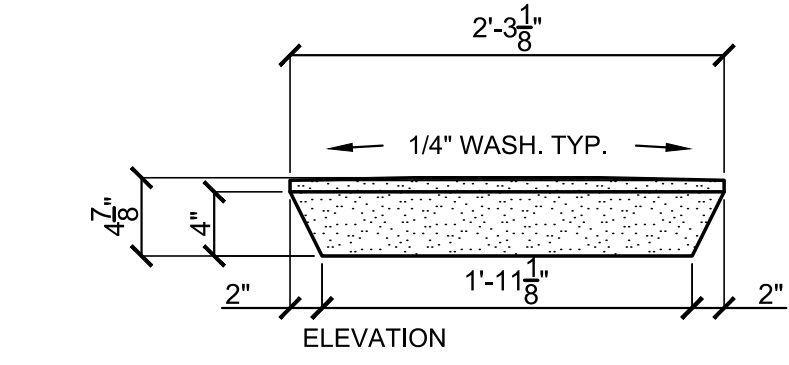
PLAN - BOTTOM



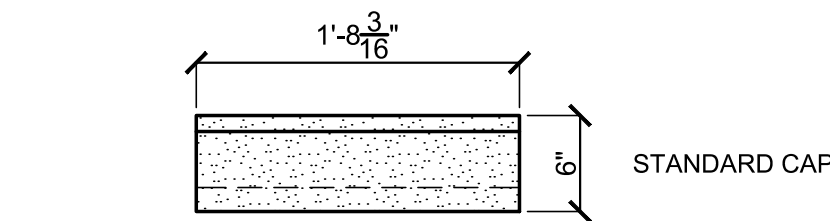
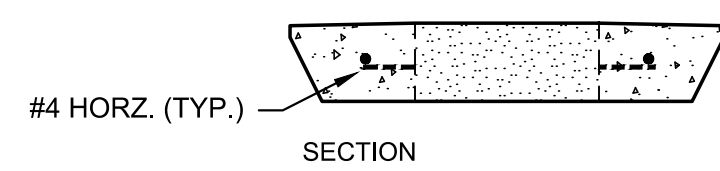
PLAN - TOP

CAP 1B

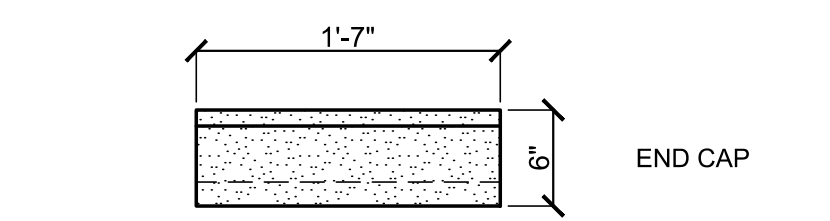
1 PRECAST CONC. CAP #1
SCALE: NOT TO SCALE



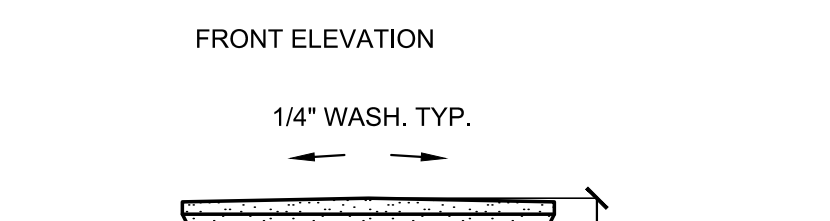
2 PRECAST CONC. CAP #2
SCALE: NOT TO SCALE



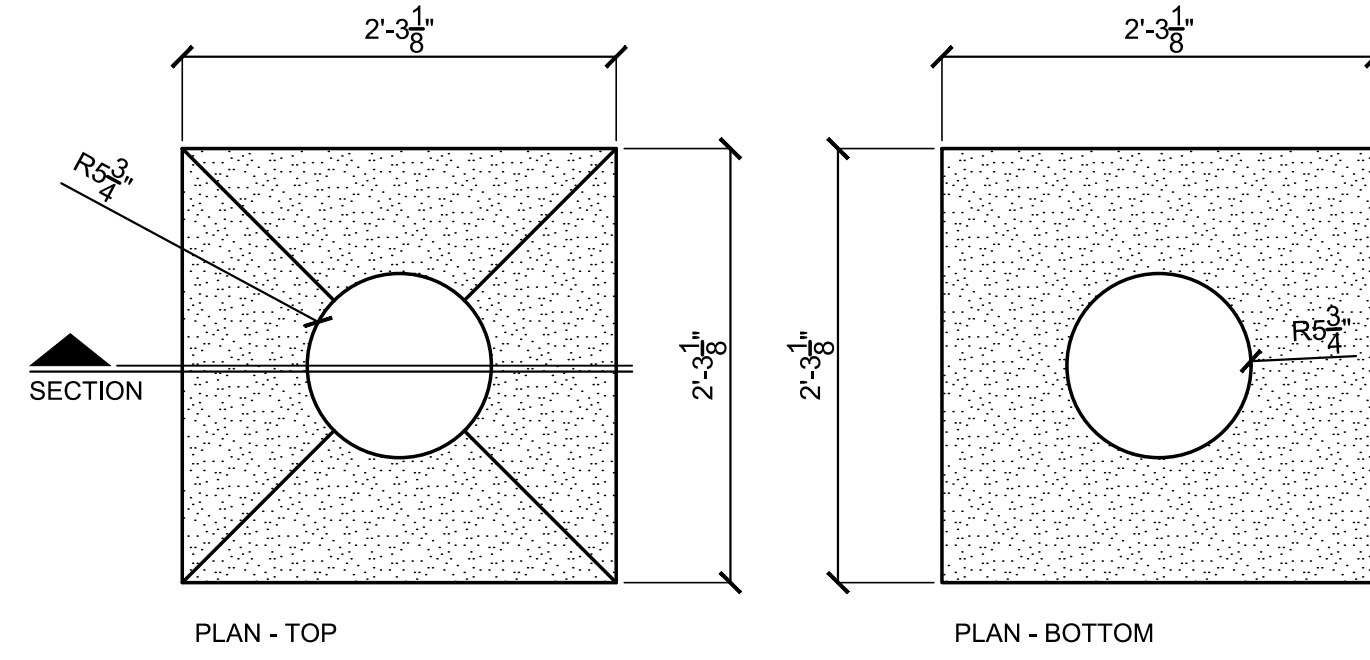
STANDARD CAP



END CAP

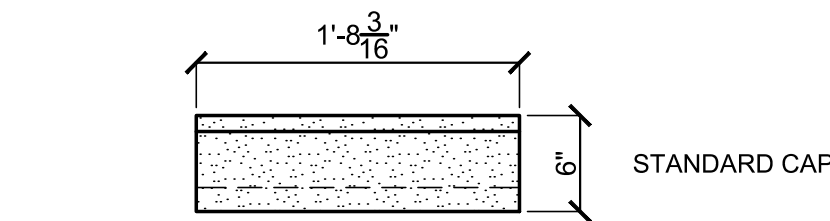


3 HEADWALL COPING
SCALE: NOT TO SCALE

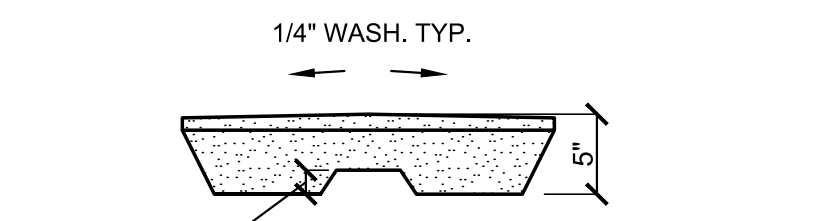


PLAN - TOP

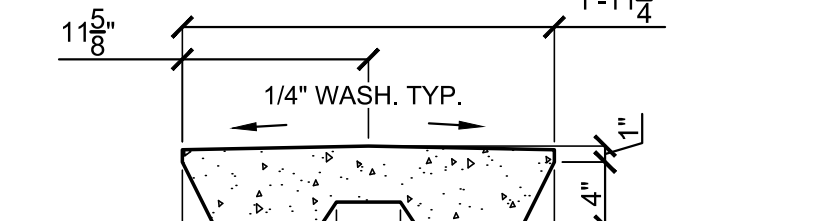
PLAN - BOTTOM



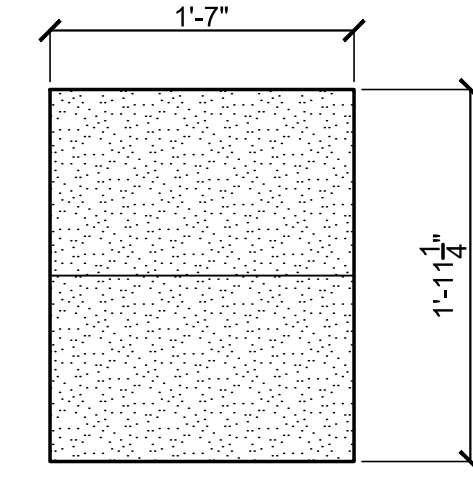
FRONT ELEVATION



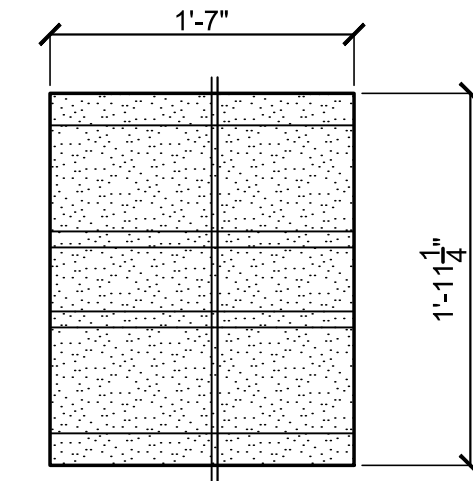
SIDE ELEVATION



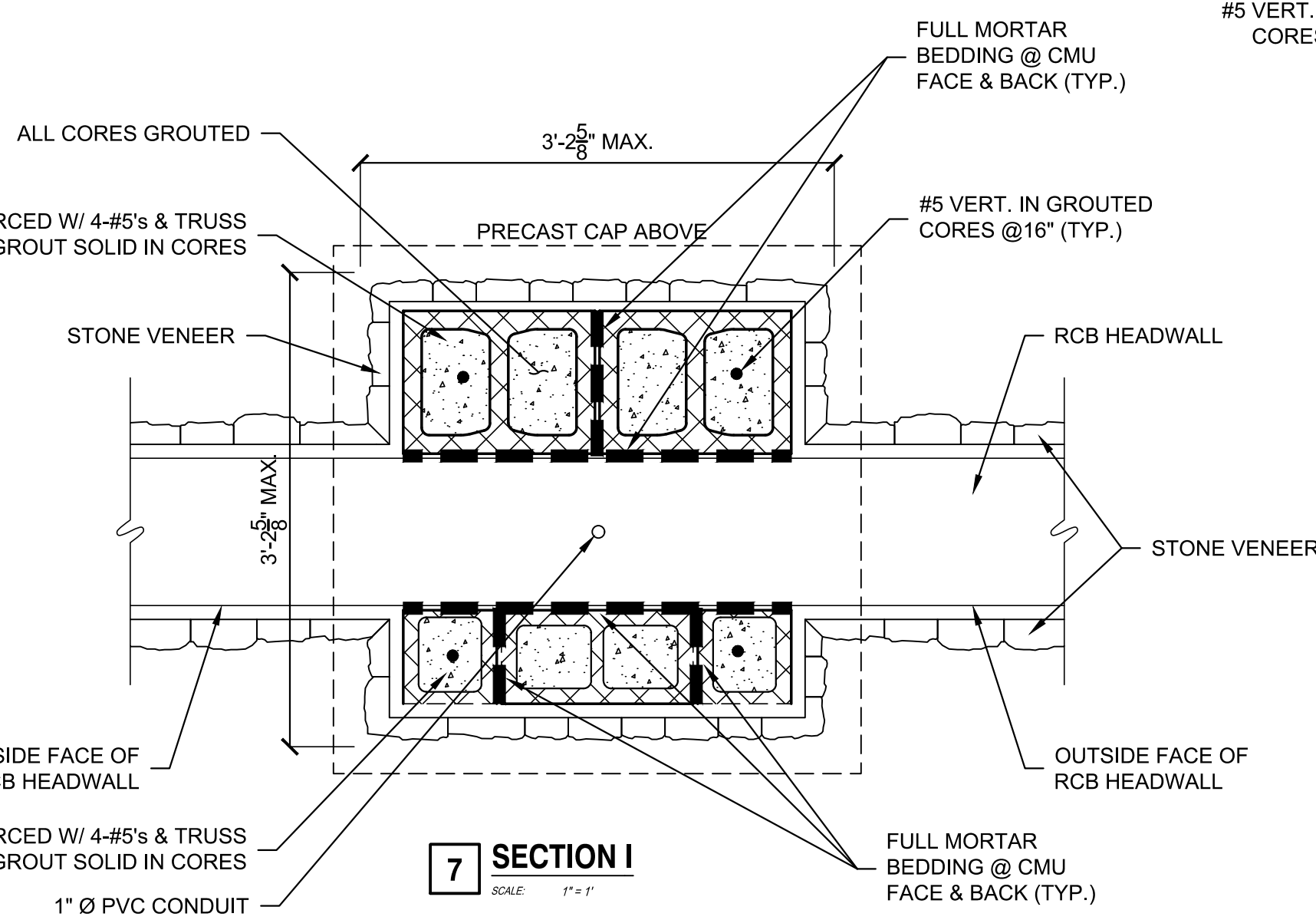
SECTION



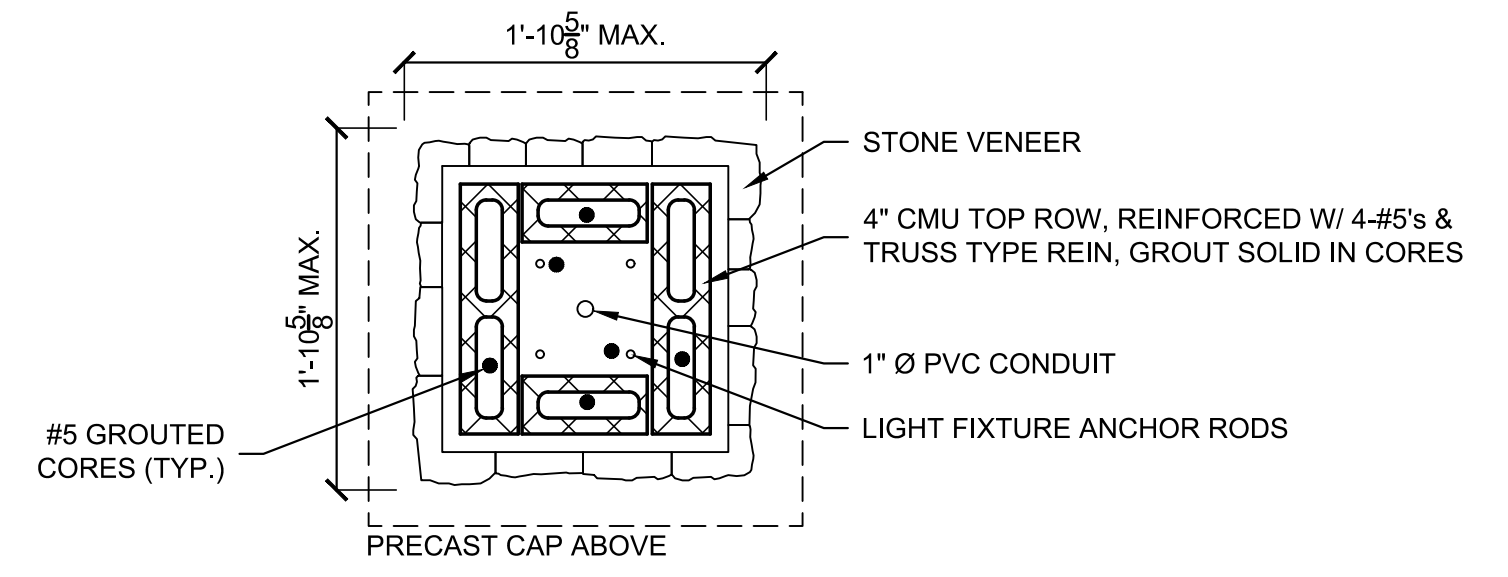
PLAN - TOP



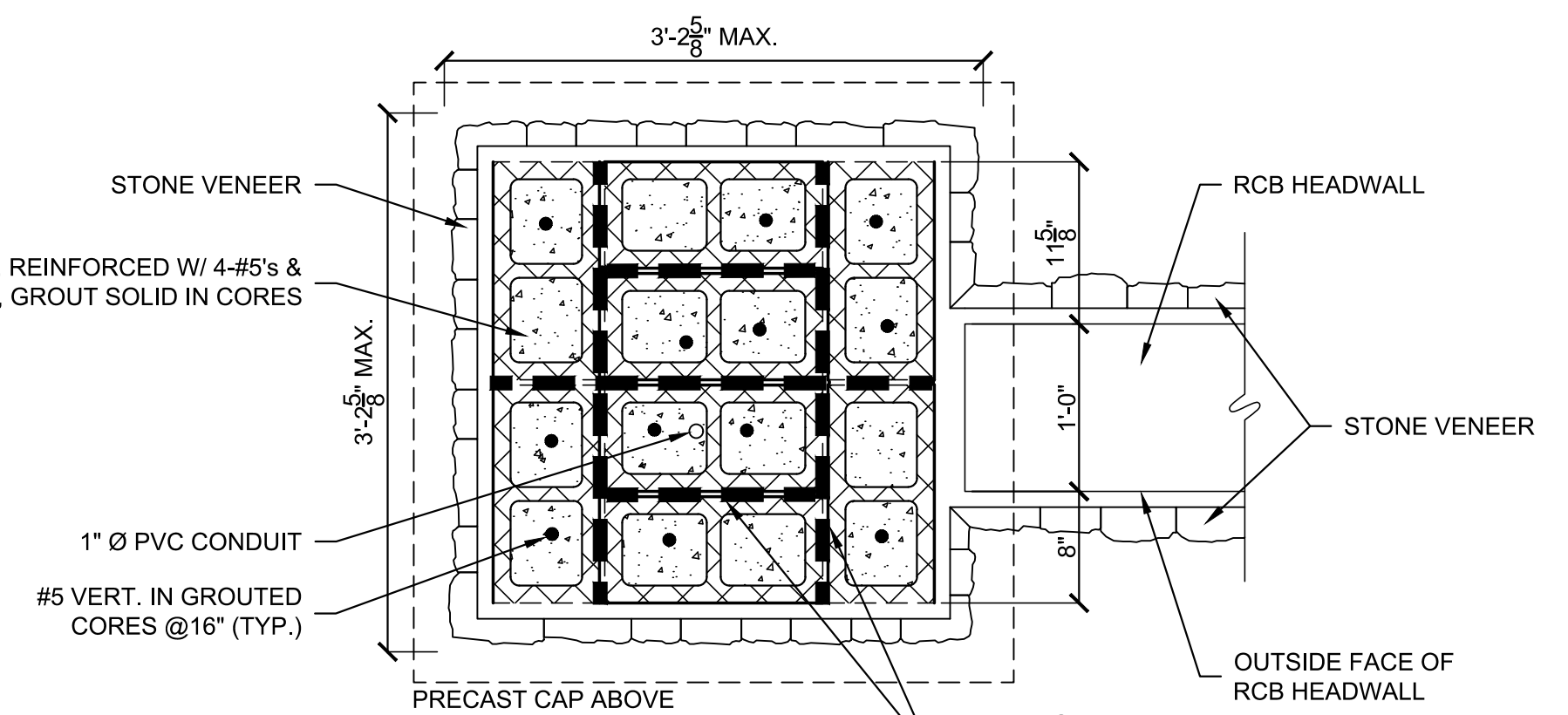
PLAN - BOTTOM



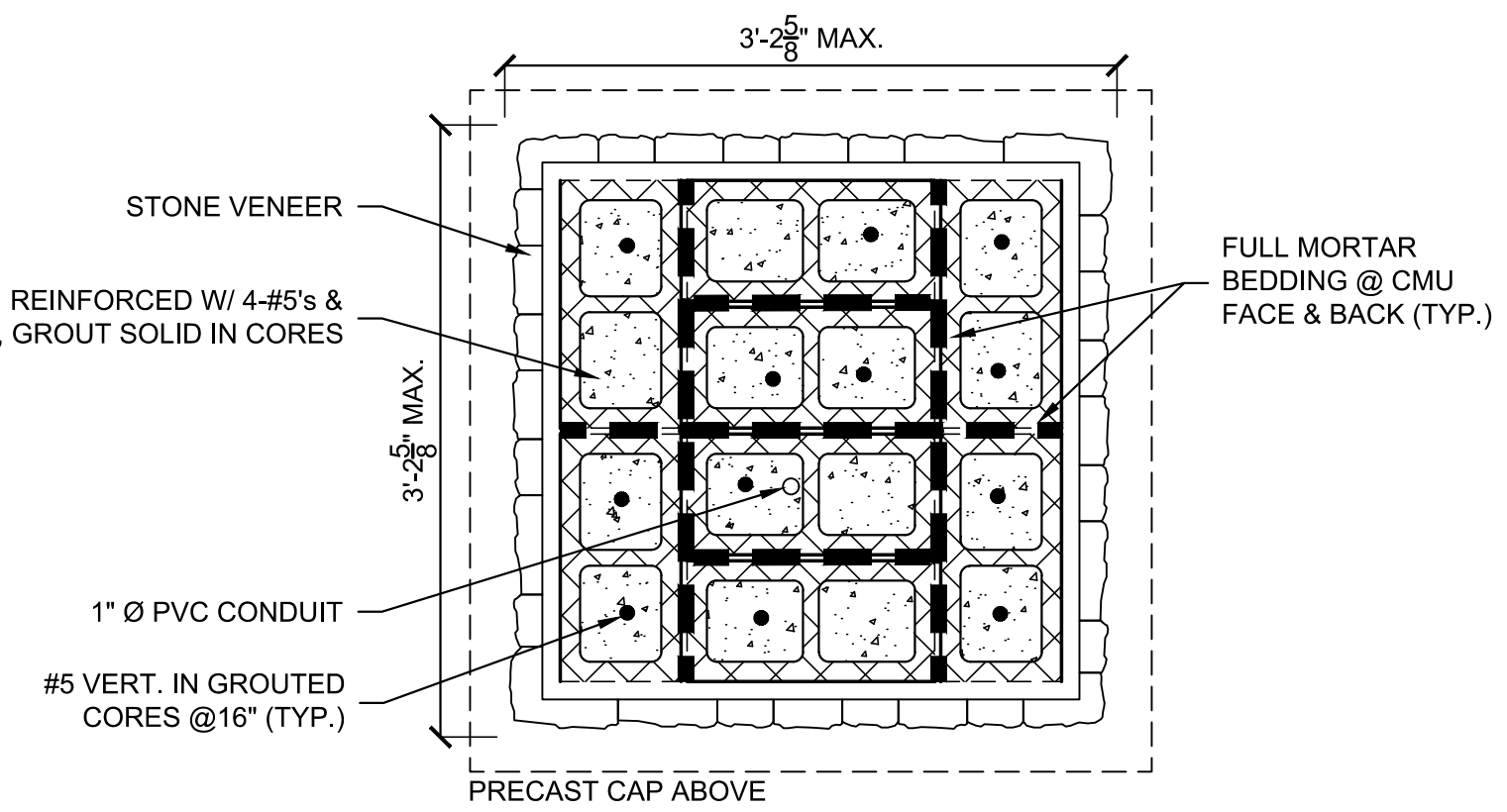
7 SECTION I
SCALE: 1" = 1'



4 SECTION F
SCALE: 1" = 1'



5 SECTION G
SCALE: 1" = 1'



6 SECTION H
SCALE: 1" = 1'

GENERAL NOTES:

- PRECAST CONCRETE**
ARCHITECTURAL PRECAST CONCRETE PIECES SHALL BE CONSTRUCTED IN 'WHITE' COLOR, OBTAINABLE FROM ARCHITECTURAL CAST STONE INC., 1918 N. WABASH, WICHITA, KANSAS, 67214 (OR APPROVED EQUAL). MORTAR JOINTS BETWEEN INDIVIDUAL PRECAST UNITS SHALL BE OF THE SAME COLOR AS PRECAST CONCRETE AND SHALL BE FLUSH TO PROVIDE A SEAMLESS JOINT.
- WATER SEALANT**
MANUFACTURER: PK PROFESSIONAL @ WATER SEALANT
PHONE: 1.800.676.7346
TYPE: PER MANUFACTURERS RECOMMENDATION FOR EACH APPLICATION TYPE
NOTE: APPLY WATER SEALANT TO ALL STONE MASONRY AND PRECAST CONCRETE CAPS AND COPING PER MANUFACTURERS SPECIFICATIONS (TYP.)

©2019 MKEC Engineering All Rights Reserved
www.mkec.com
These drawings and their contents, including, but not limited to, all concepts, designs, & ideas are the exclusive property of MKEC Engineering (MKEC), and may not be used or reproduced in any way without the express consent of MKEC.

CAP & COLUMN DETAILS

PROJECT NO.	472-85452	
DATE	AUGUST 2019	
SCALE	AS SHOWN	
DESIGNED	DML	
DRAWN	DML	
CHECKED	RR	
NO.	REVISION	DATE