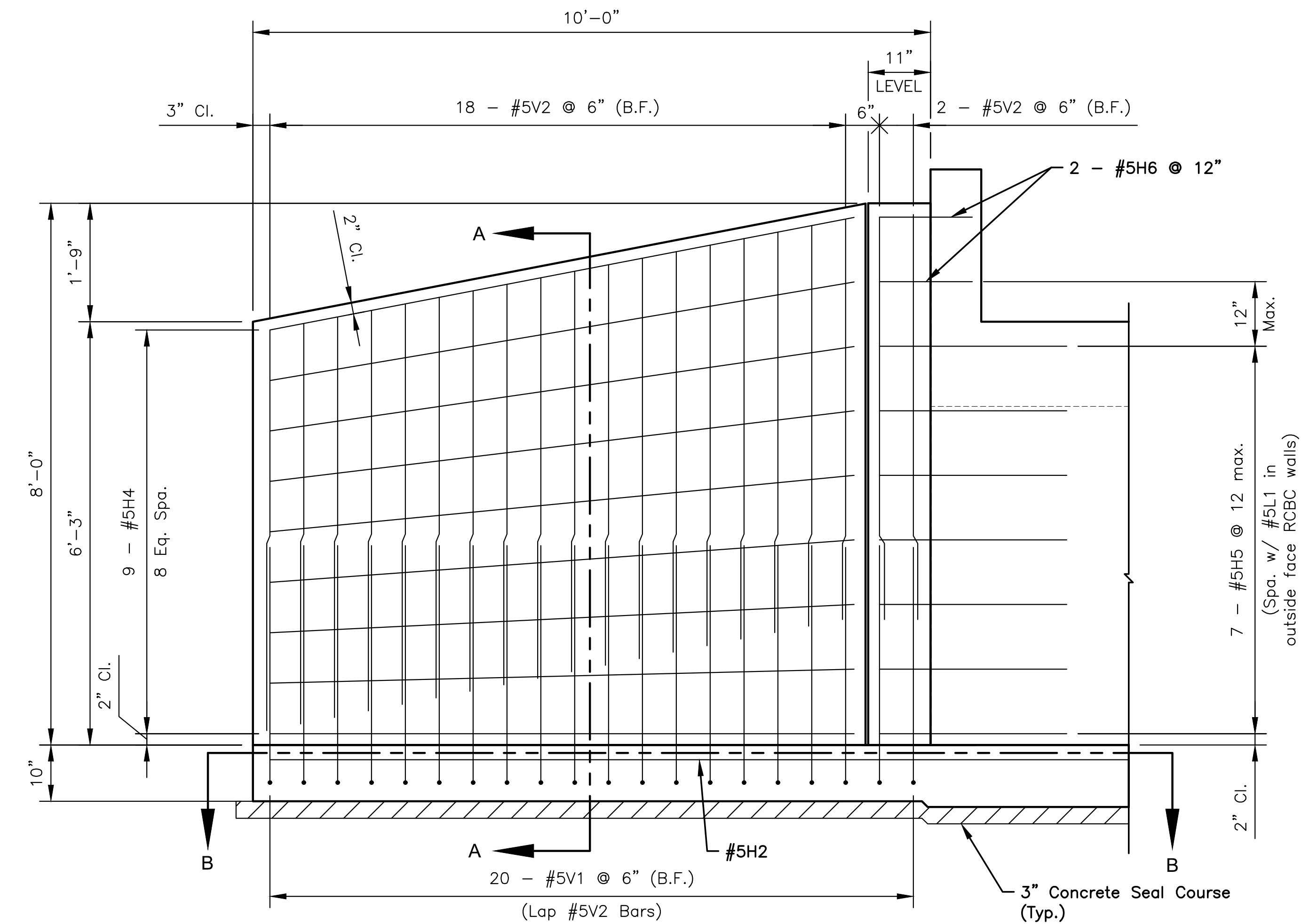
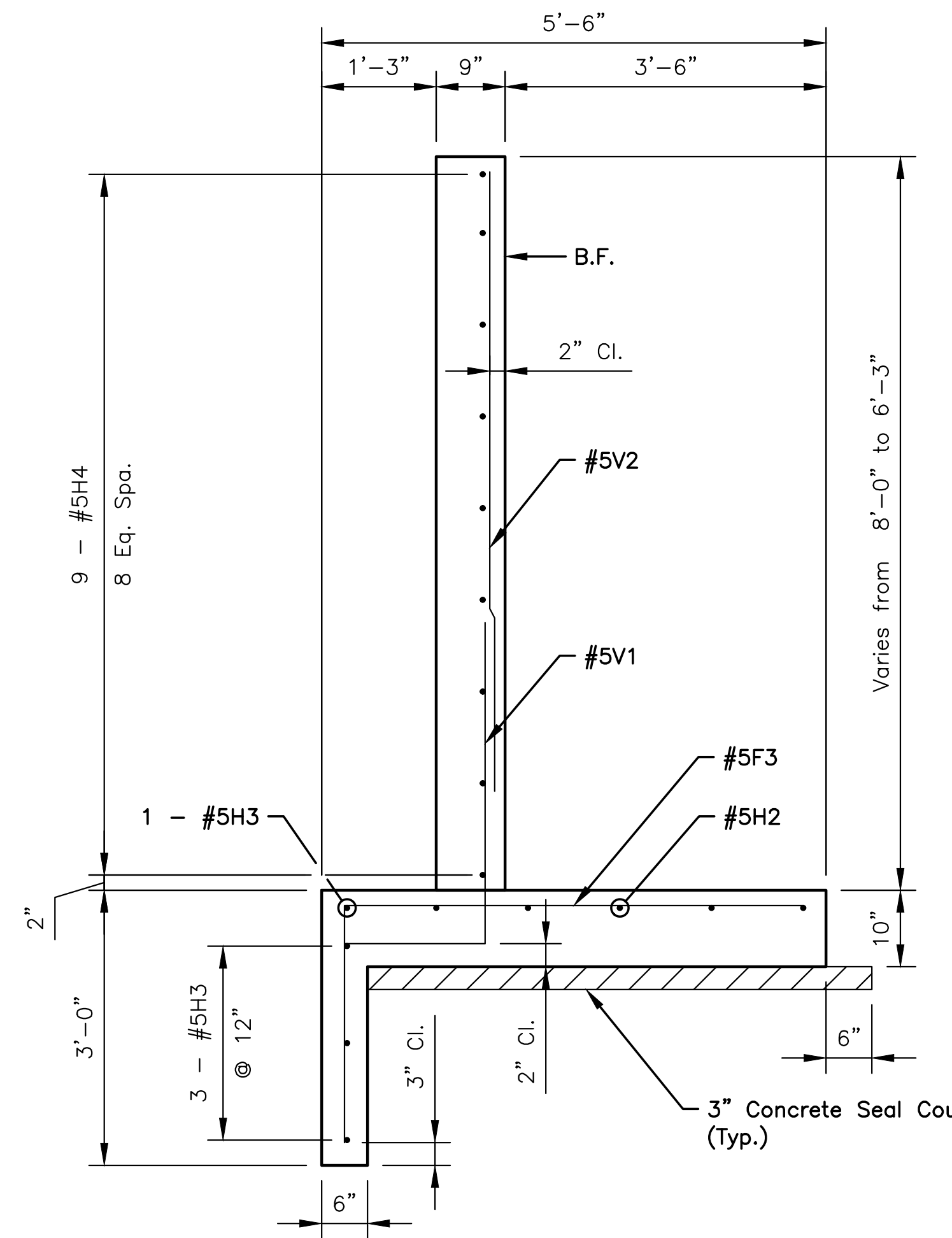


PLOTED: Friday, July 26, 2019 @ 09:22AM

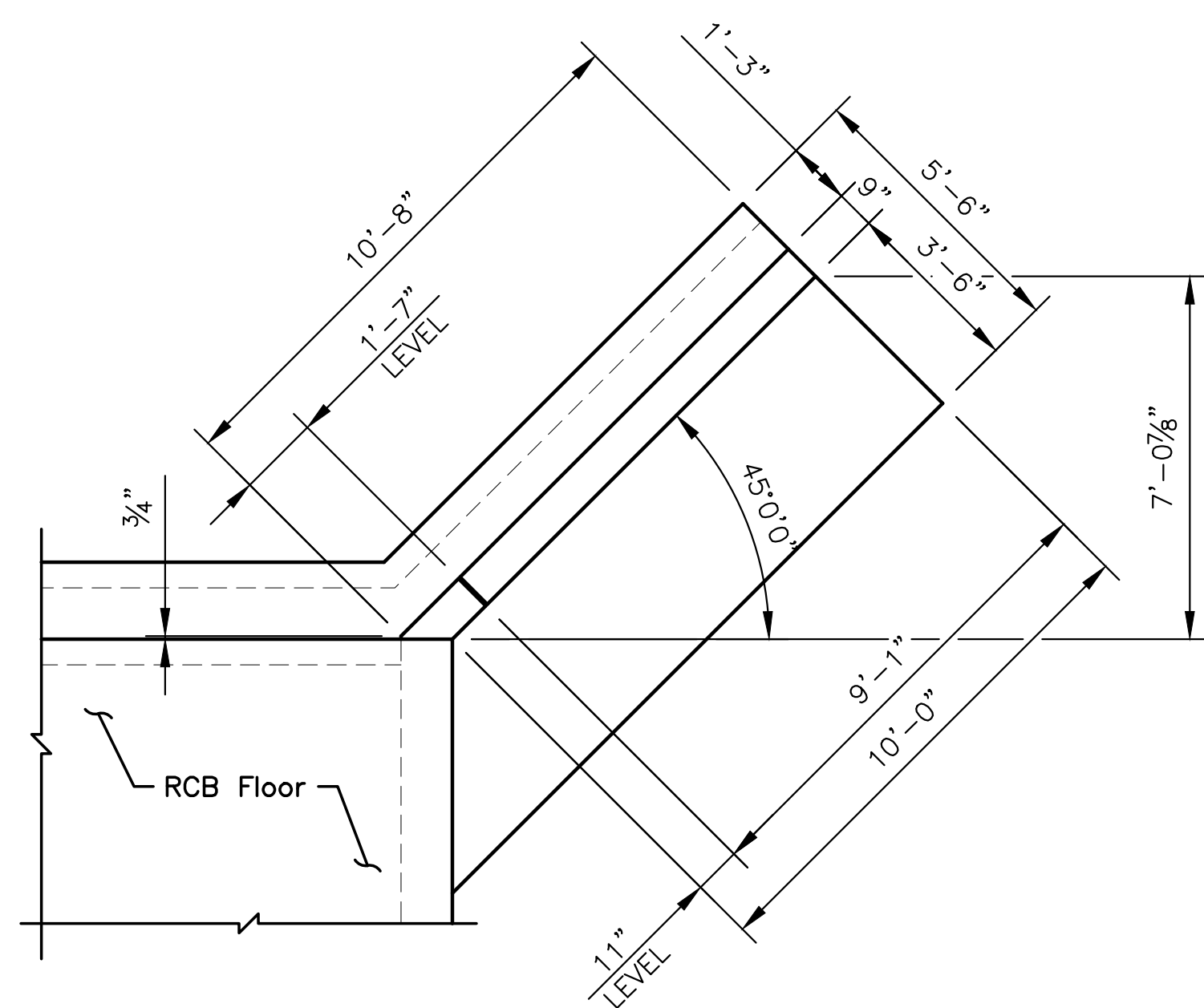
J:\PROJECTS\2019\1801010315_COW_2ND ST. BRIDGE AT BROOKSIDE\180315 CAD\SHOTS\05 CIVIL\BRIDGE\180315-BR03.DWG



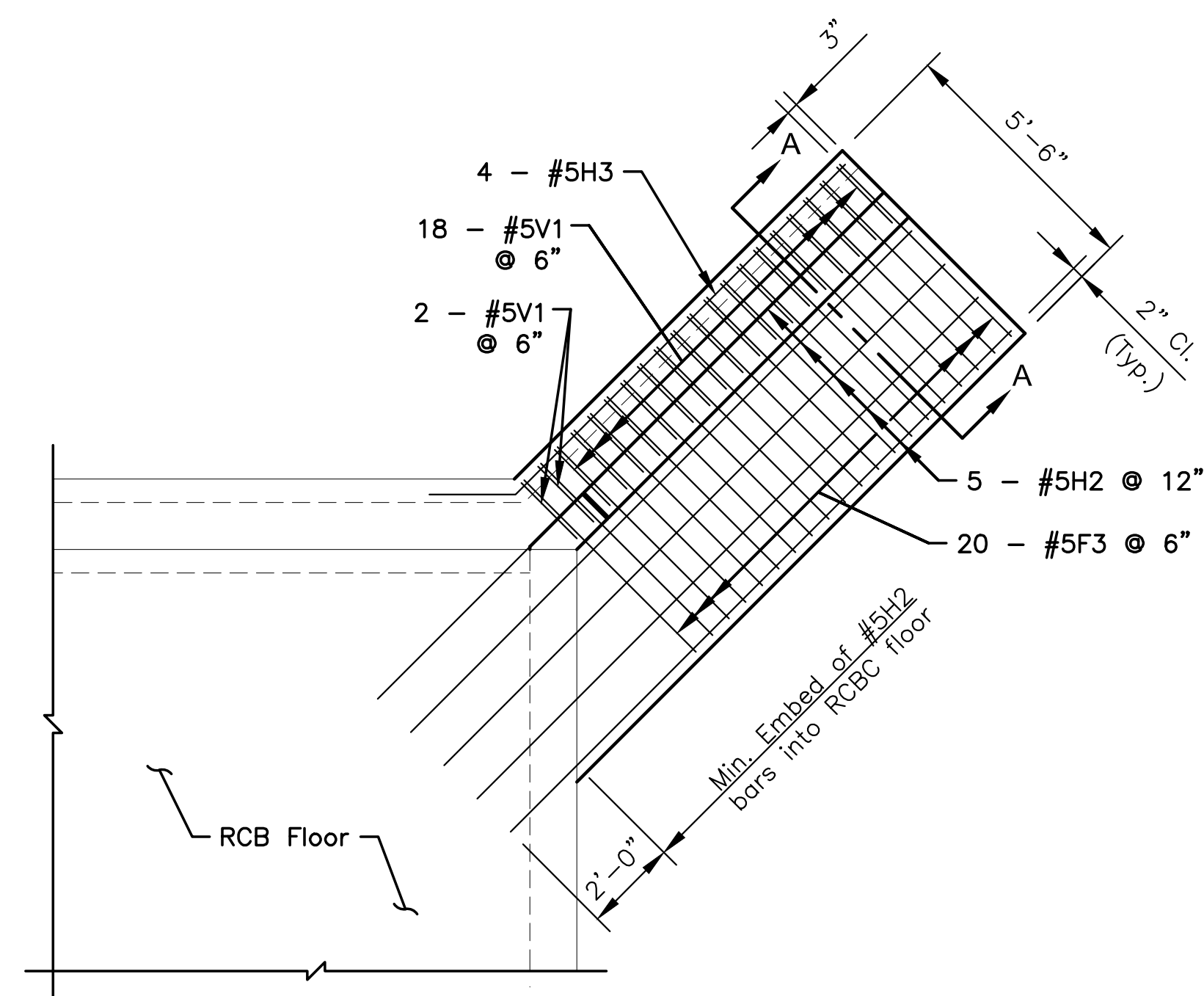
WINGWALL ELEVATION
(Back Face Shown)



SECTION A-A



WING DIMENSIONS (TYP.)



Note: See Wingwall Joint Detail for additional Dimension.

SECTION B-B
(PLAN OF FOOTING)

WINGWALL GENERAL NOTES

DESIGN SPECIFICATION: AASHTO LRFD Bridge Design Specifications, 8th Edition
DESIGN LOADING: HL-93

UNIT STRESSES: Grade 4.0 Concrete $f'c = 4,000$ p.s.i.
Reinforcing Steel: $f_y = 60,000$ p.s.i.

CONCRETE: Grade 4.0 Concrete shall be used throughout. Bevel all exposed edges with a 3/4 inch triangular moulding. Prior to casting concrete against a previous casting, all concrete joint surfaces shall have a brush sandblast, power wash, and water soaked prior to casting.

REINFORCING: All reinforcing shall conform to ASTM A615, Grade 60. All dimensions relative to reinforcing steel shall be to centerline of bar unless otherwise noted.

EXCAVATION: Class III Excavation for RCB Bridges shall be considered subsidiary to the bid item "Pipe, SWS, RCBC, (3-12'x5')", see "Bridge Excavation" sheet.

SEAL COURSE: A Seal Course is required. The Seal Course shall be unreinforced Concrete (Commercial Grade) to a minimum depth of 3 inches or as determined by the Engineer. Concrete for the seal course shall be considered subsidiary to the bid item "Pipe, SWS, RCBC, (3-12'x5')".

QUANTITIES: Wingwall Quantities include all quantities outside the neat lines of the box, excluding the hubguard.

BACKFILL MATERIAL: Use granular Backfill material meeting the requirements of SB-1, SB-2, SCA-2, SCA-3 or SCA-5. Backfill all wings to limits shown on the "RCB Auxiliary Sheet".

FILTER FABRIC: Separate in-situ material from granular backfill with approved filter Fabric complying with Section 1710 of the KDOT Standard Specifications.

GRANULAR BACKFILL (WINGWALLS): See the "Auxiliary Details" sheet.



CONSTRUCTION PLANS FOR
2ND STREET BRIDGE AT BROOKSIDE
WICHITA, KS

©2019 MKEC Engineering All Rights Reserved
www.mkec.com
These drawings and their contents, including, but not limited to, all concepts, designs, & ideas are the exclusive property of MKEC Engineering (MKEC), and may not be used or reproduced in any way without the express consent of MKEC.

FLARED WINGWALL
(SHEET 1 OF 2)

PROJECT NO. 472-85435

DATE JULY 2019

SCALE NTS

DESIGNED J.T.H. DRAWN J.D.H. CHECKED J.T.H.

NO.	REVISION	DATE

SHEET NO.