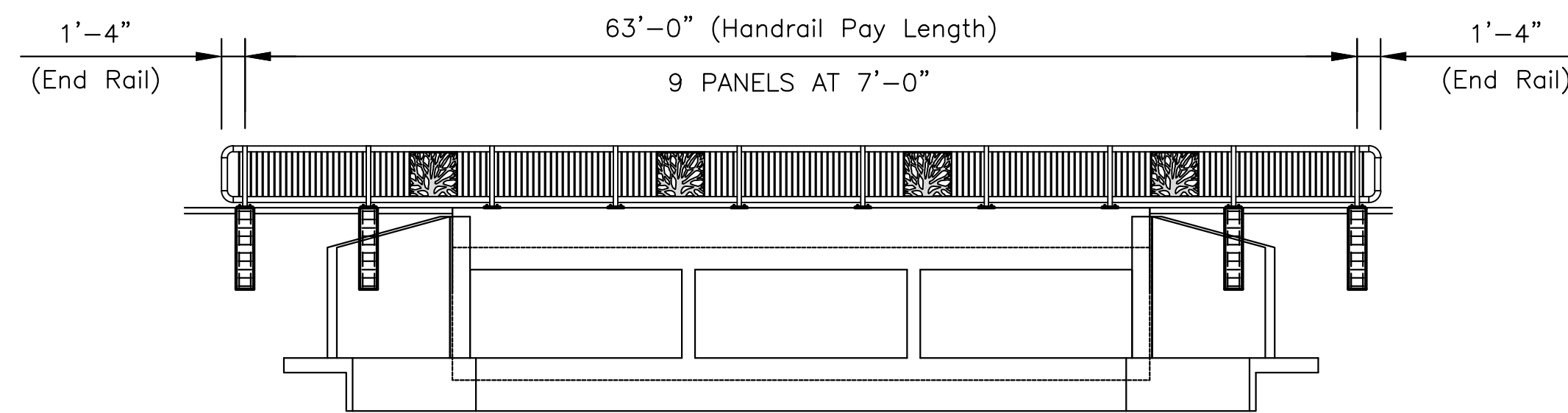
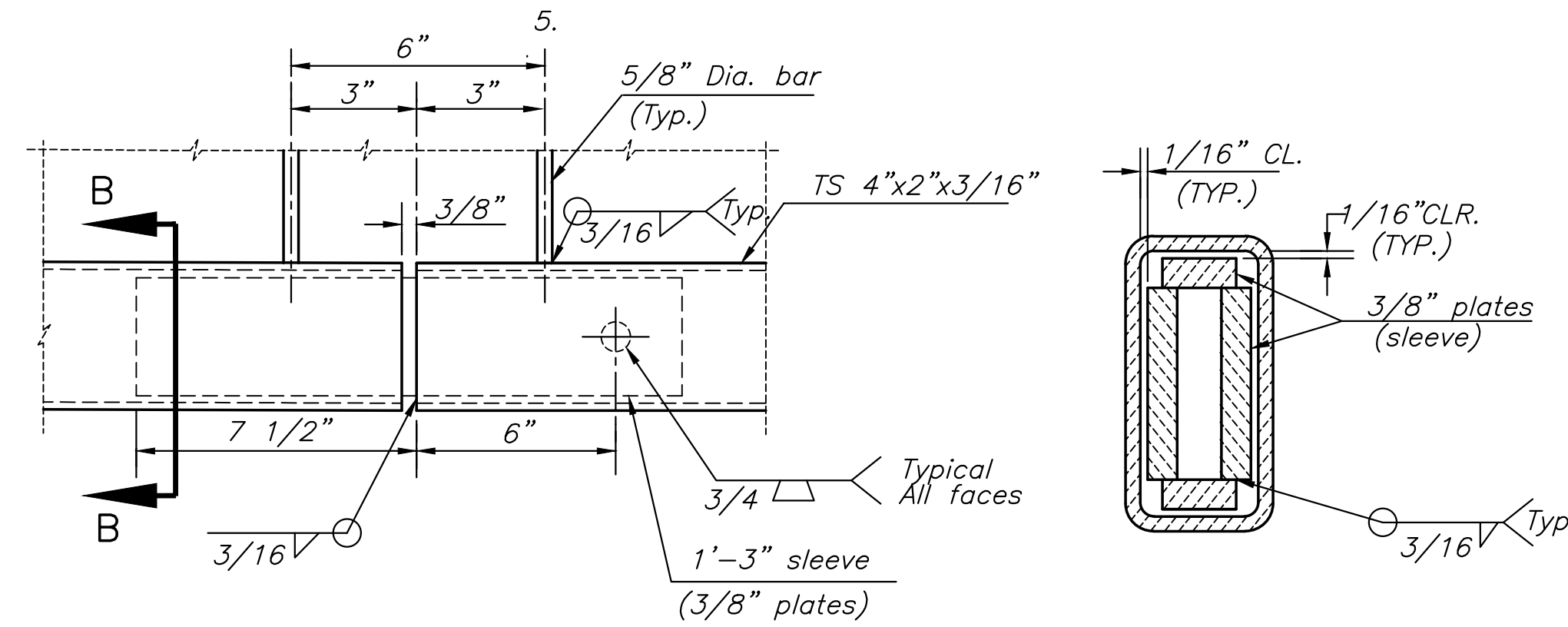


PLOTED: Friday, July 26, 2019 @ 09:23AM

J:\PROJECTS\2018\1801010315_COW_2ND ST. BRIDGE AT BROOKSIDE\180315 CAD\SHS\05 CIVIL\BRIDGE\180315-HANDRAIL.DWG



3 - 12'x5' RCBC
STA. 10+00.00
NORTH AND SOUTH END
ELEVATION

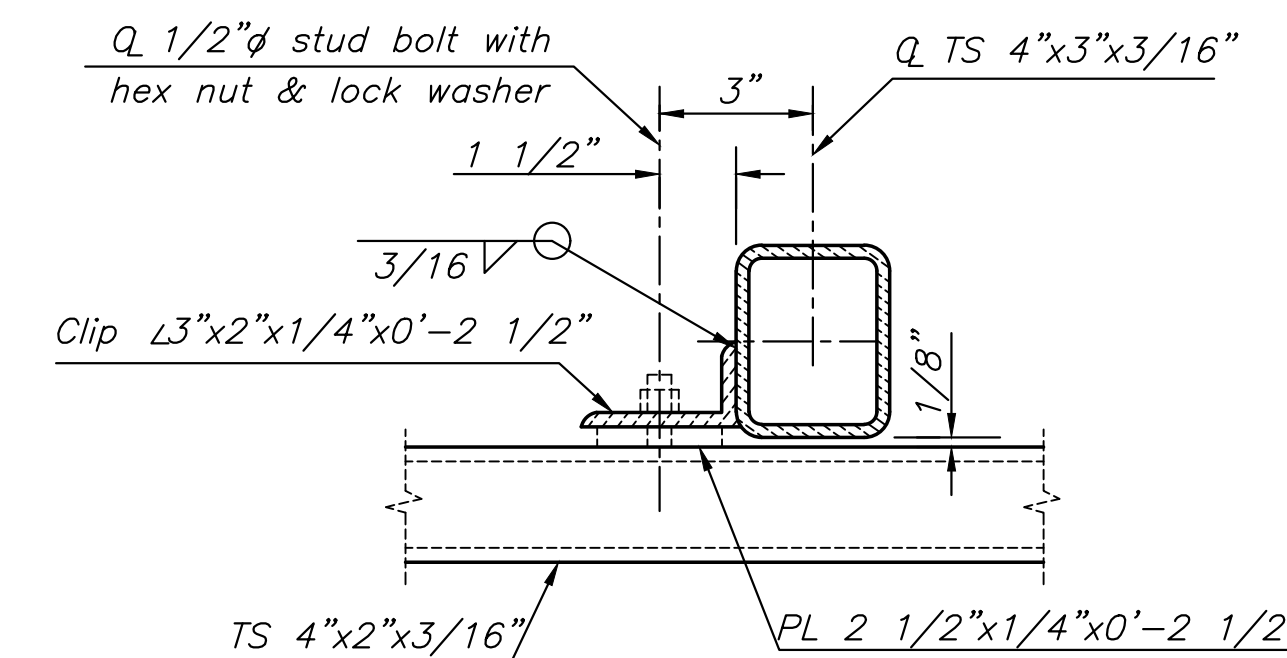


SLEEVE DETAIL

No scale
(bottom rail shown, top rail similar)

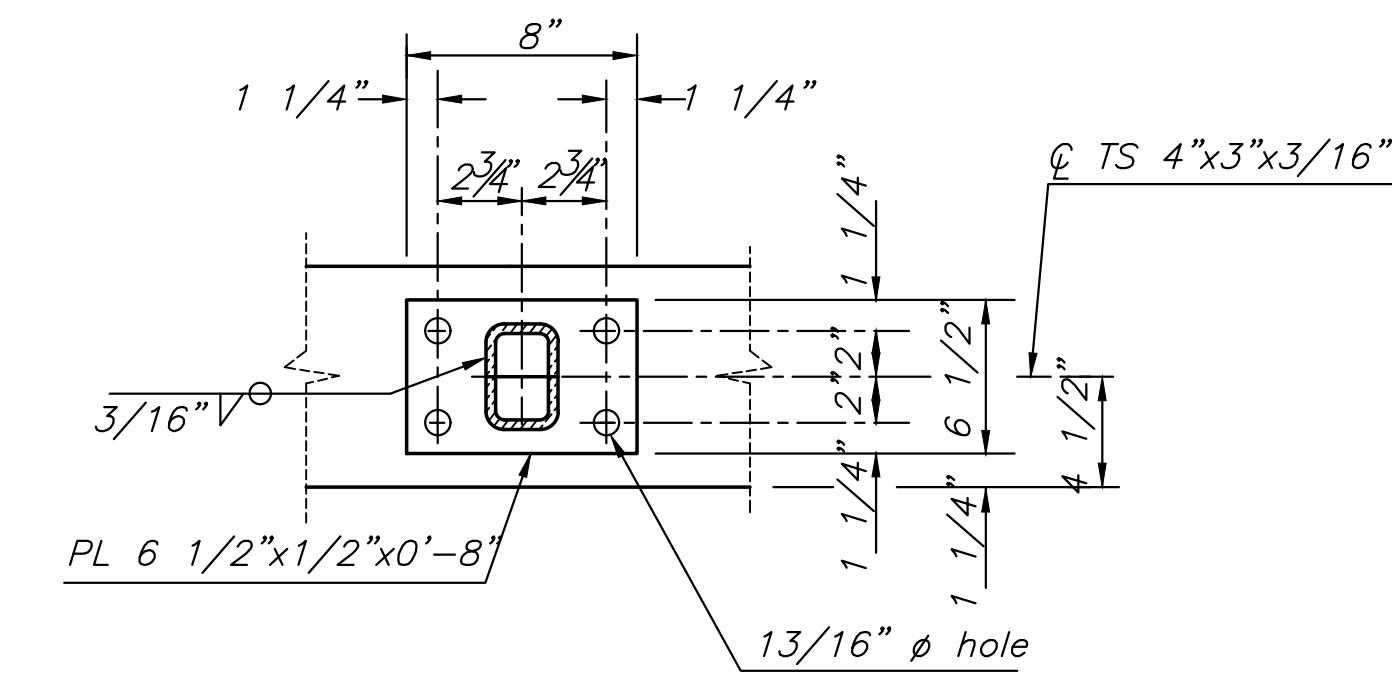
SECTION B-B

No scale



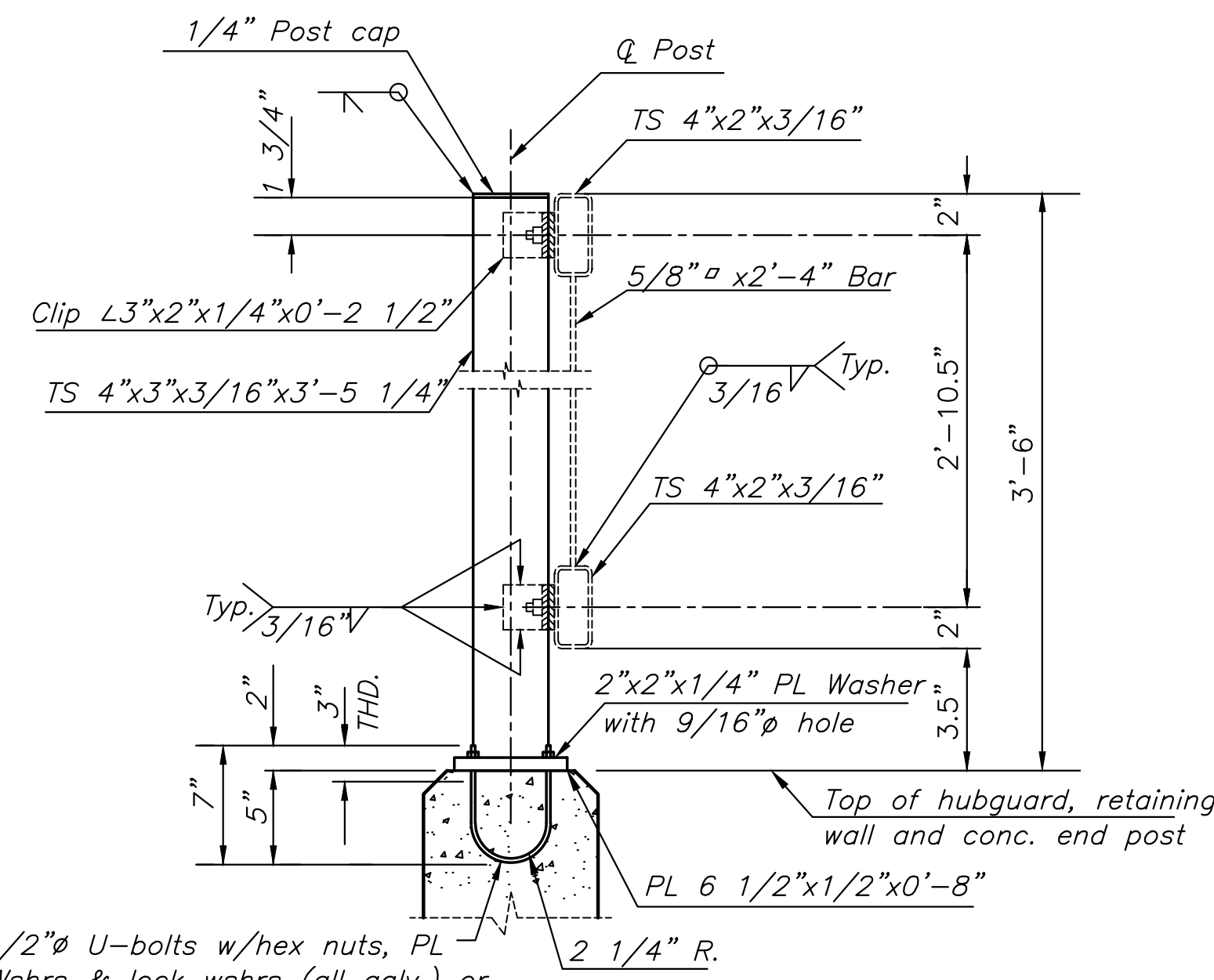
RAIL CONNECTION DETAIL

No scale



BASE PLATE DETAIL

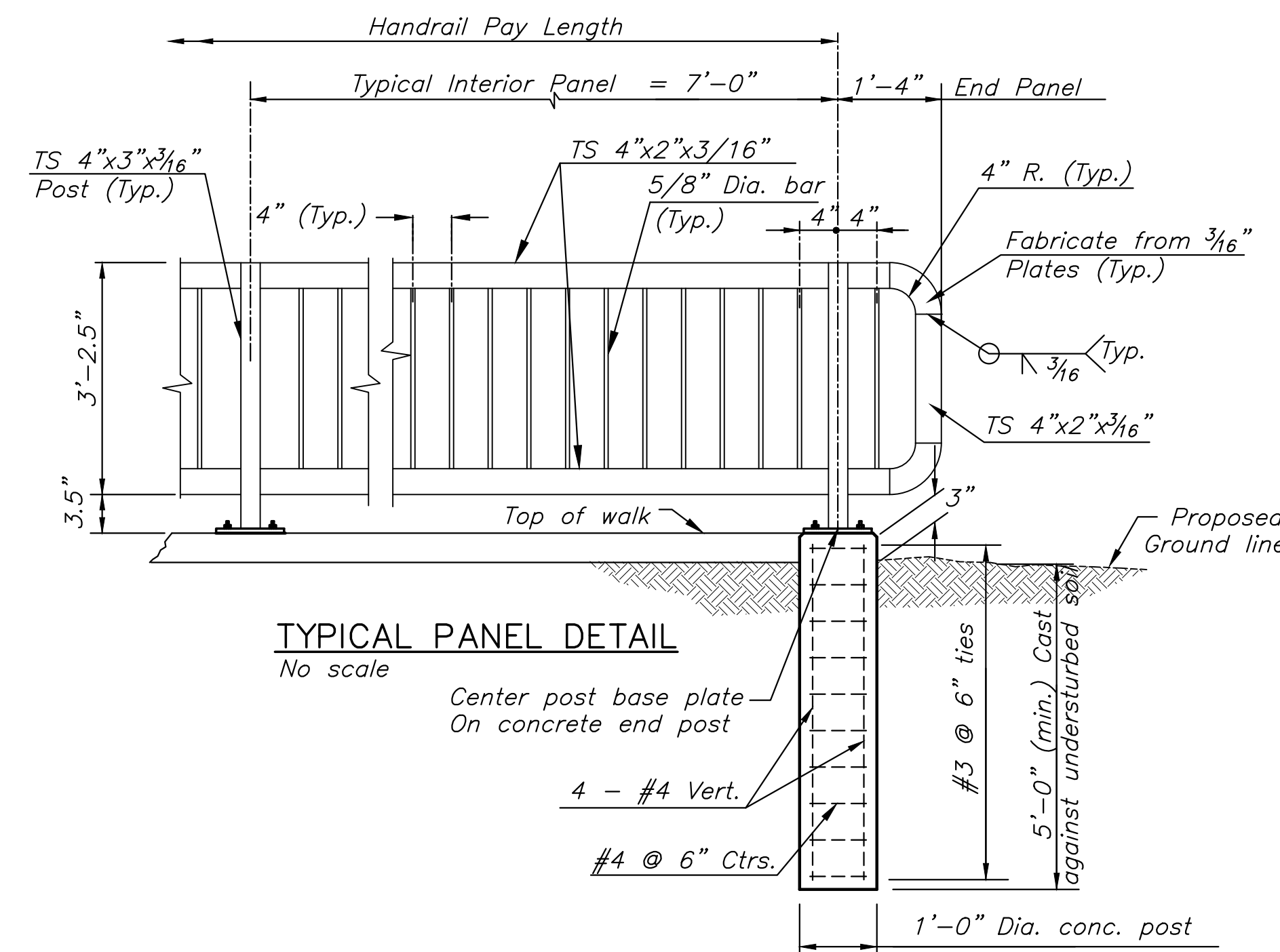
No scale



TYPICAL RAIL SECTION

No scale

1/2" U-bolts w/hex nuts, PL Wshrs & lock wshrs (all galv.) or Adhesive Anchoring System, 1/2" dia. x 4 1/2" min. embedment. Use the manufacturer's recommended installation system. The Anchoring System details, load capacity and installation instructions shall be provided to the Engineer for approval prior to installation.



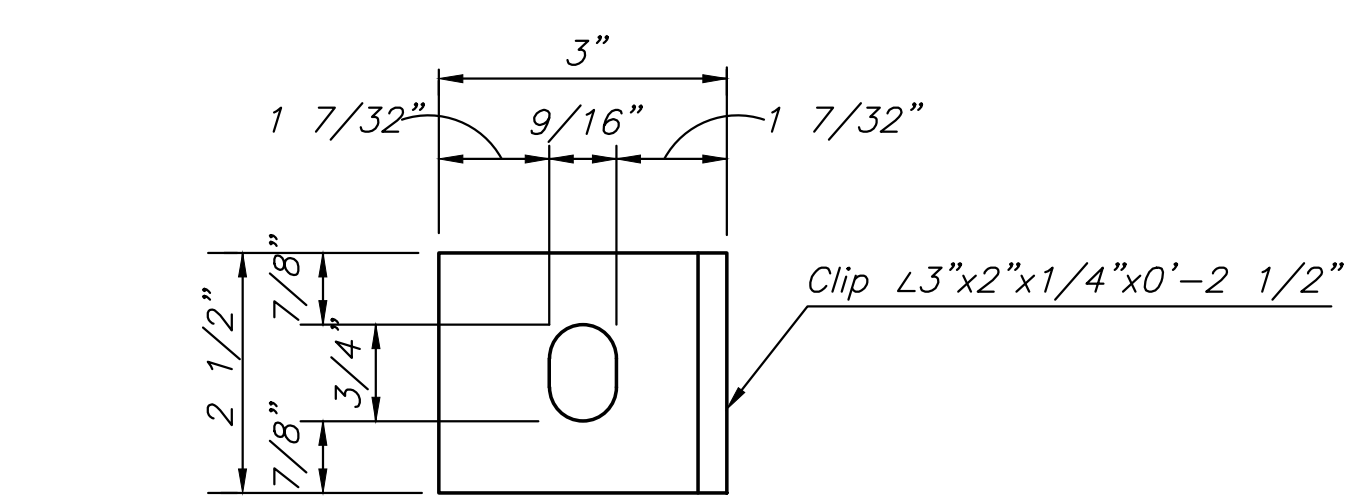
TYPICAL PANEL DETAIL

No scale

CONCRETE POST DETAIL

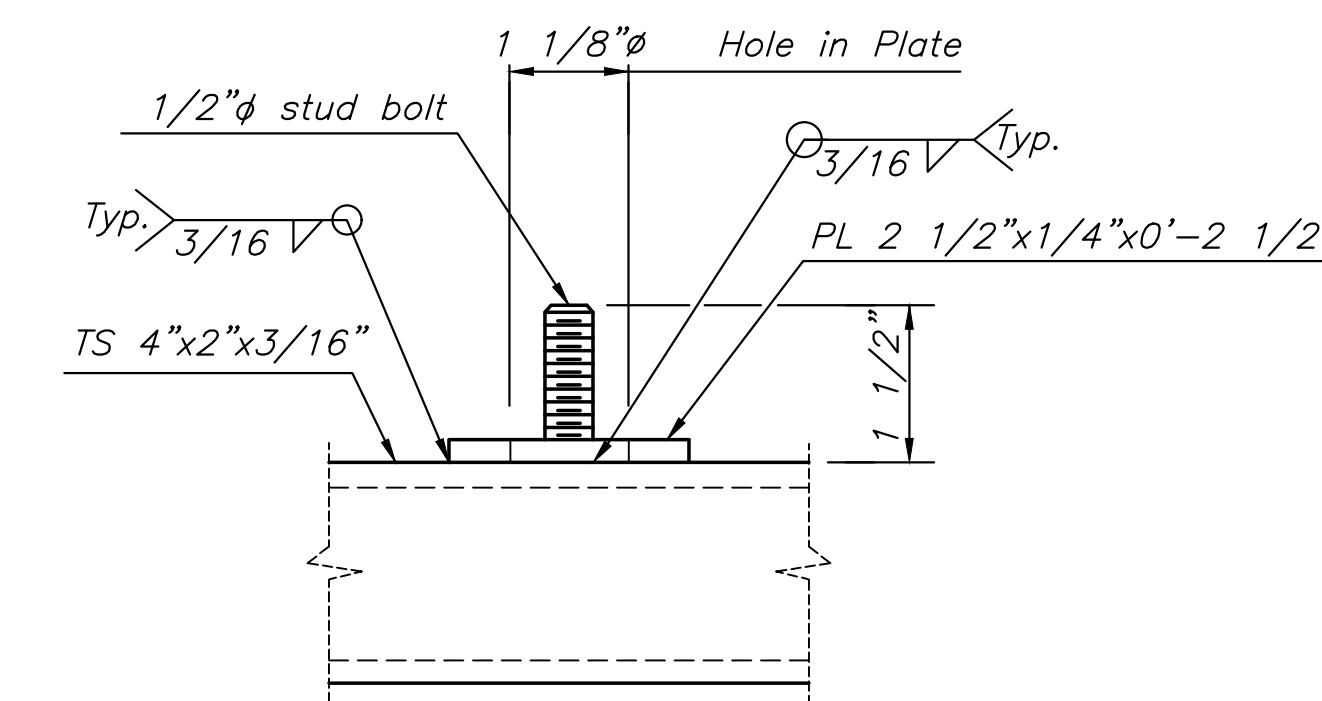
No scale

Concrete Footing shall be *Subsidiary* to "Handrail (Metal) (3'-6")". Locate concrete post where specified on plans



CLIP DETAIL

No scale



STUD BOLT DETAIL

No scale

HANDRAIL NOTES:

- The rail members shall conform to ASTM designation A36 or equivalent.
- Rail shall be fabricated in lengths to include a minimum of two and a maximum of three panels. Posts shall be set vertical. Shims may be used between concrete and base plates of posts.
- All parts of handrail shall be painted. The primer coat shall conform to the inorganic Zinc system. Surface preparation shall be in accordance with that for structural steel. The finish coat shall be in accordance with water-borne acrylic finish coat. All materials, equipment and labor necessary for the installation of the handrail shall be *subsidiary* to the bid item.
- Handrail shall be painted Sherwin Williams color SW 6461 (Isle of Pines) or approved equal. The contractor shall submit color chart for approval by the City.
- Rail shall be paid for as "Handrail (Metal)(3'-6)".



CONSTRUCTION PLANS FOR
2ND STREET BRIDGE AT BROOKSIDE
WICHITA, KS

©2019 MKEC Engineering All Rights Reserved www.mkec.com
These drawings and their contents, including, but not limited to, all concepts, designs, & ideas are the exclusive property of MKEC Engineering (MKEC), and may not be used or reproduced in any way without the express consent of MKEC.

PEDESTRIAN HANDRAIL DETAILS

PROJECT NO.	472-85435
DATE	JULY 2019
SCALE	N.T.S.
DESIGNED	XXX
DRAWN	JDH
CHECKED	XXX

NO.	REVISION	DATE

SHEET NO.