

PLOTED: Friday, July 26, 2019 @ 09:32AM

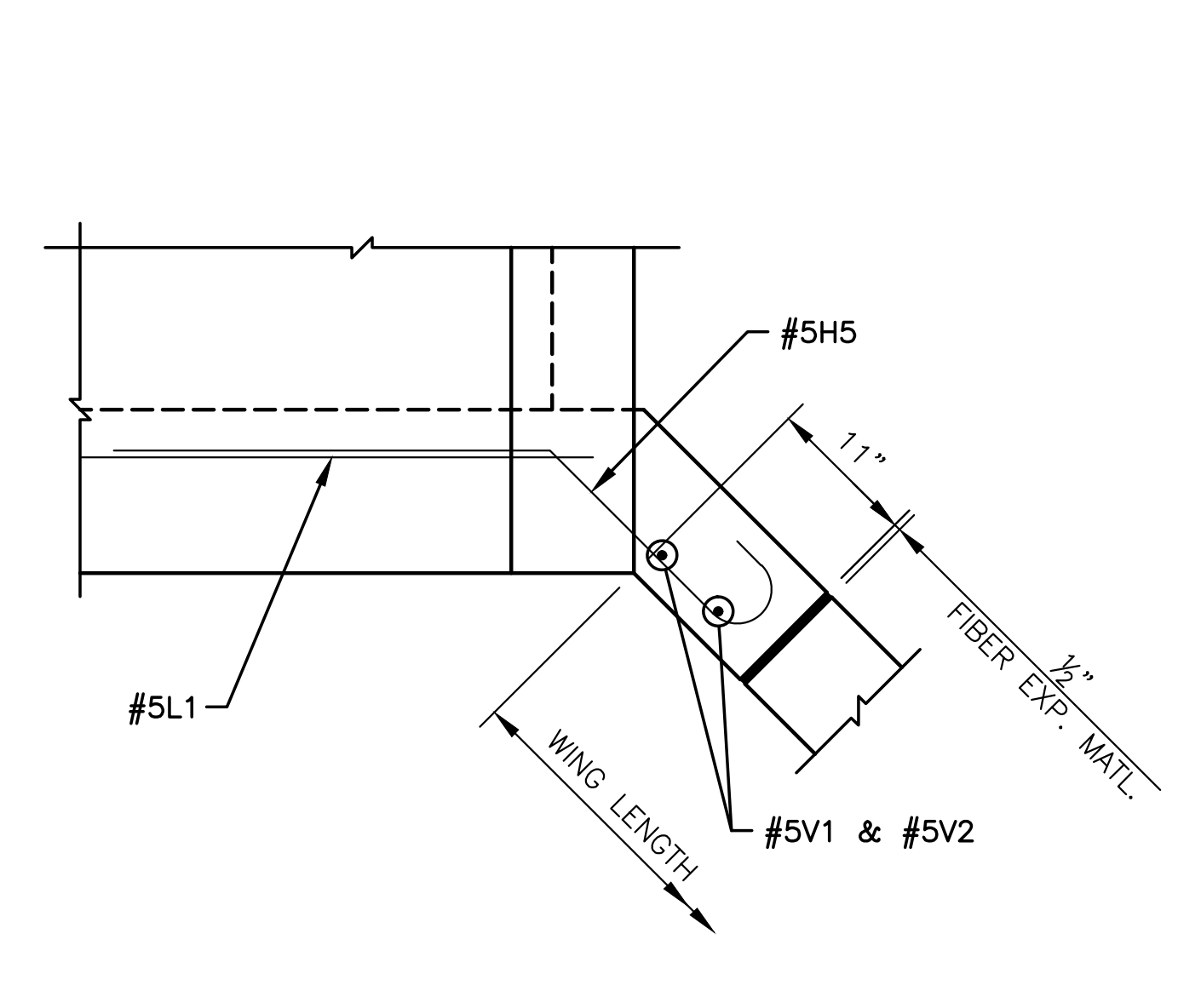
J:\PROJECTS\2019\1801010316_COW_DOUGLAS ST. BRIDGE AT BROOKSIDE\180316 CAD\SHOTS\06 CIVIL\BRIDGE\18316-BR03.DWG

©2019 MKEC Engineering All Rights Reserved www.mkec.com
These drawings and their contents, including, but not limited to, all concepts, designs, & ideas are the exclusive property of MKEC Engineering (MKEC), and may not be used or reproduced in any way without the express consent of MKEC.

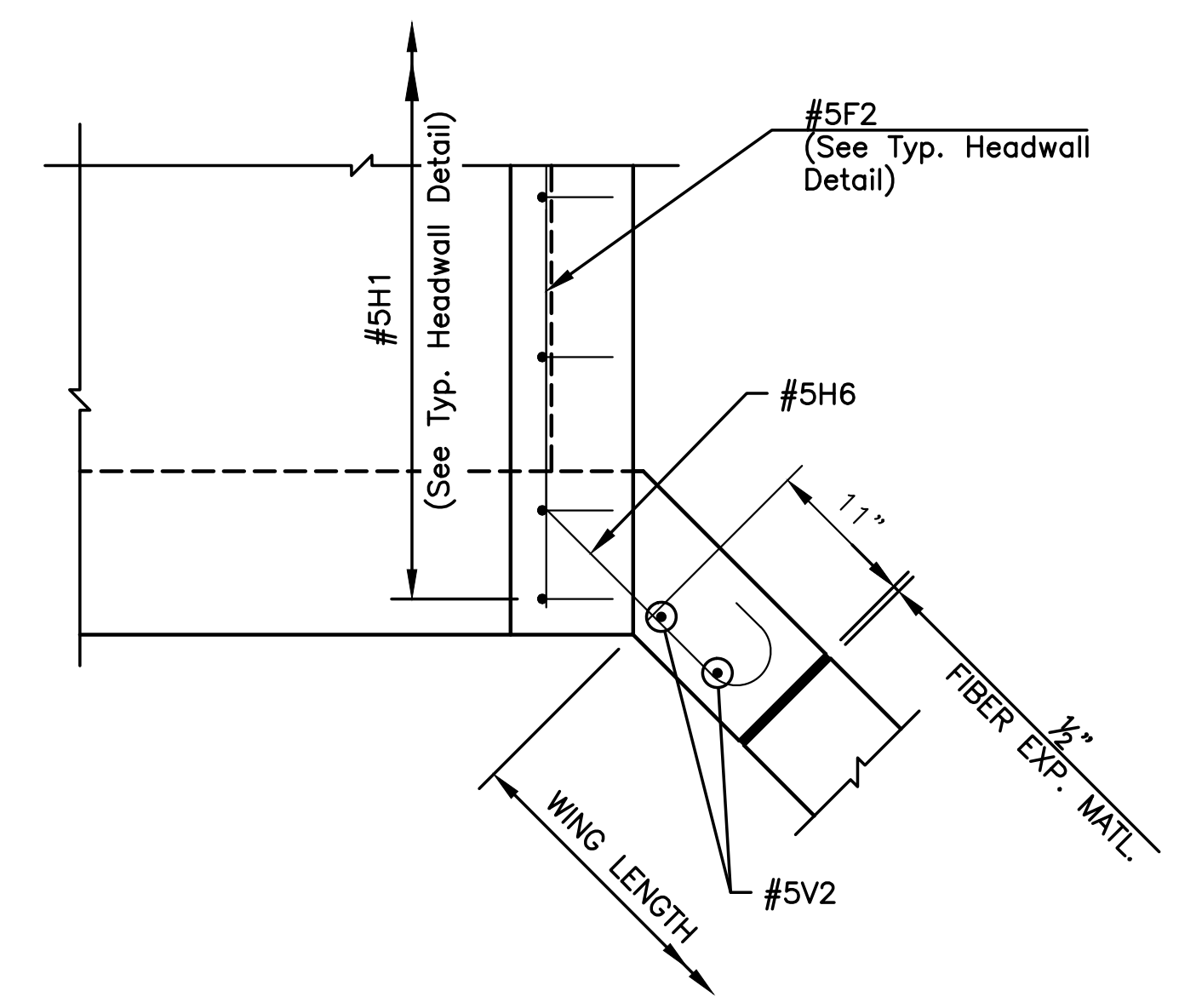
FLARED WINGWALL (SHEET 3 OF 3)

PROJECT NO.	472-85436
DATE	JULY 2019
SCALE	N.T.S.
DESIGNED	J.T.H.
DRAWN	J.D.H.
CHECKED	J.T.H.

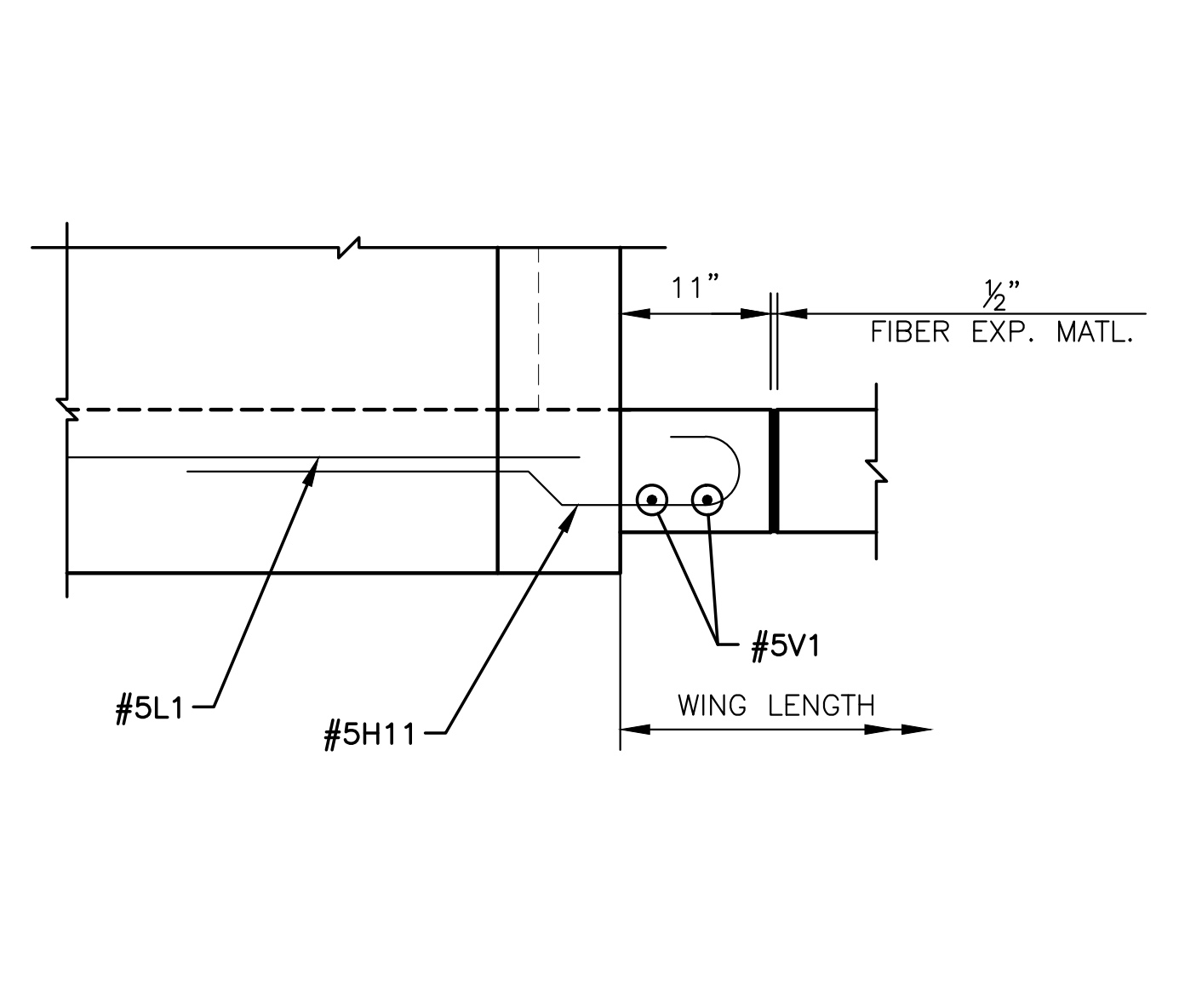
NO.	REVISION	DATE



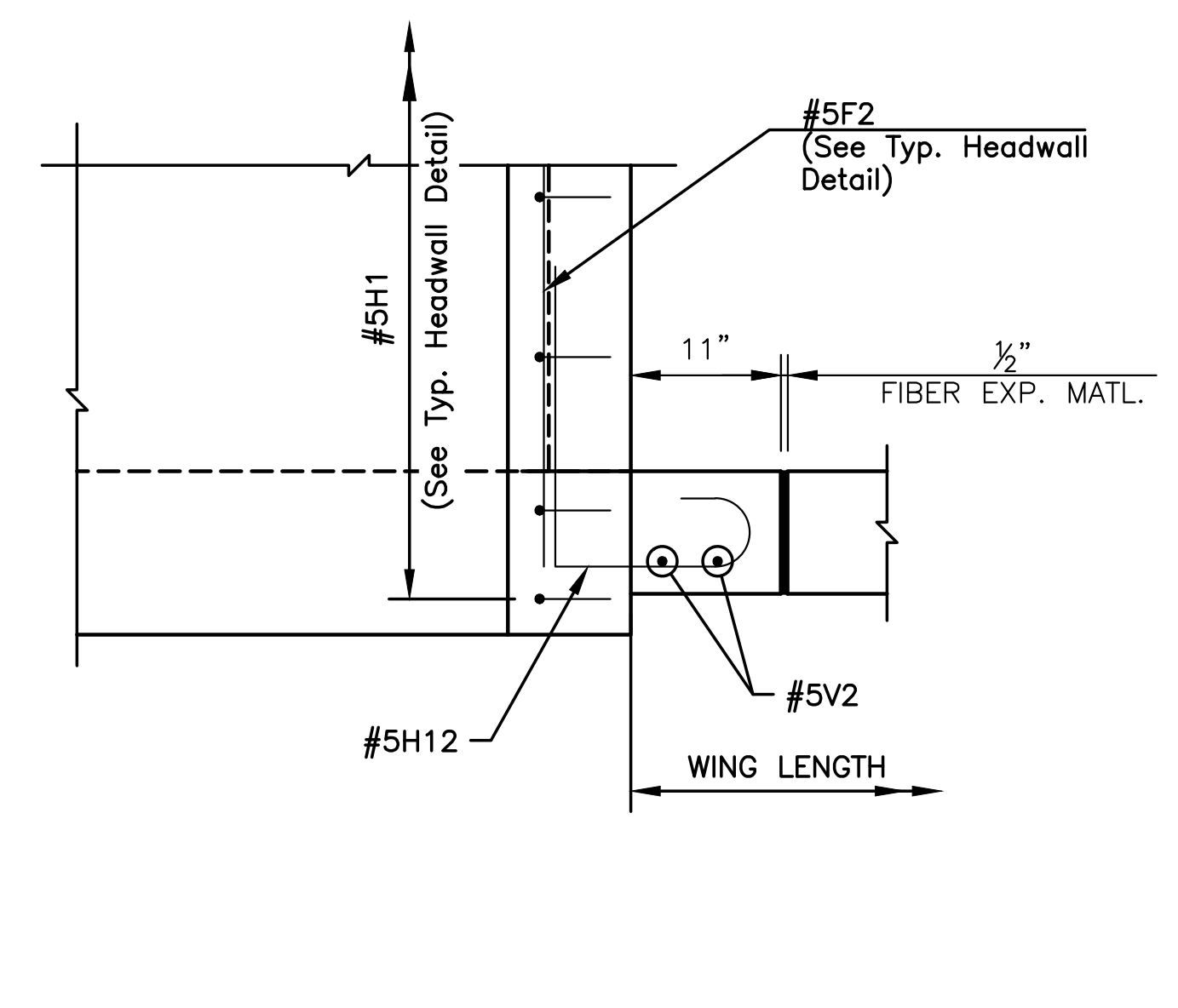
WING WALL JOINT DETAIL BELOW TOP SLAB
(PLAN VIEW @ Wingwall)
(Phase 2 - S.E. Wingwall and Phase 3 - both Wingwalls)



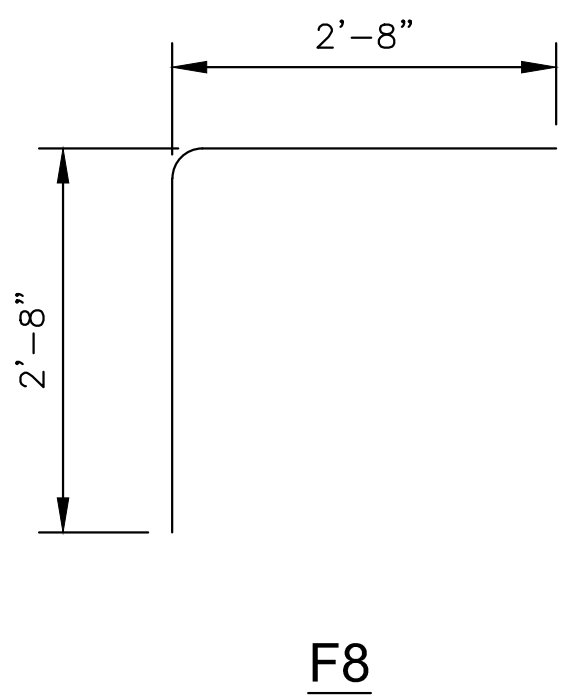
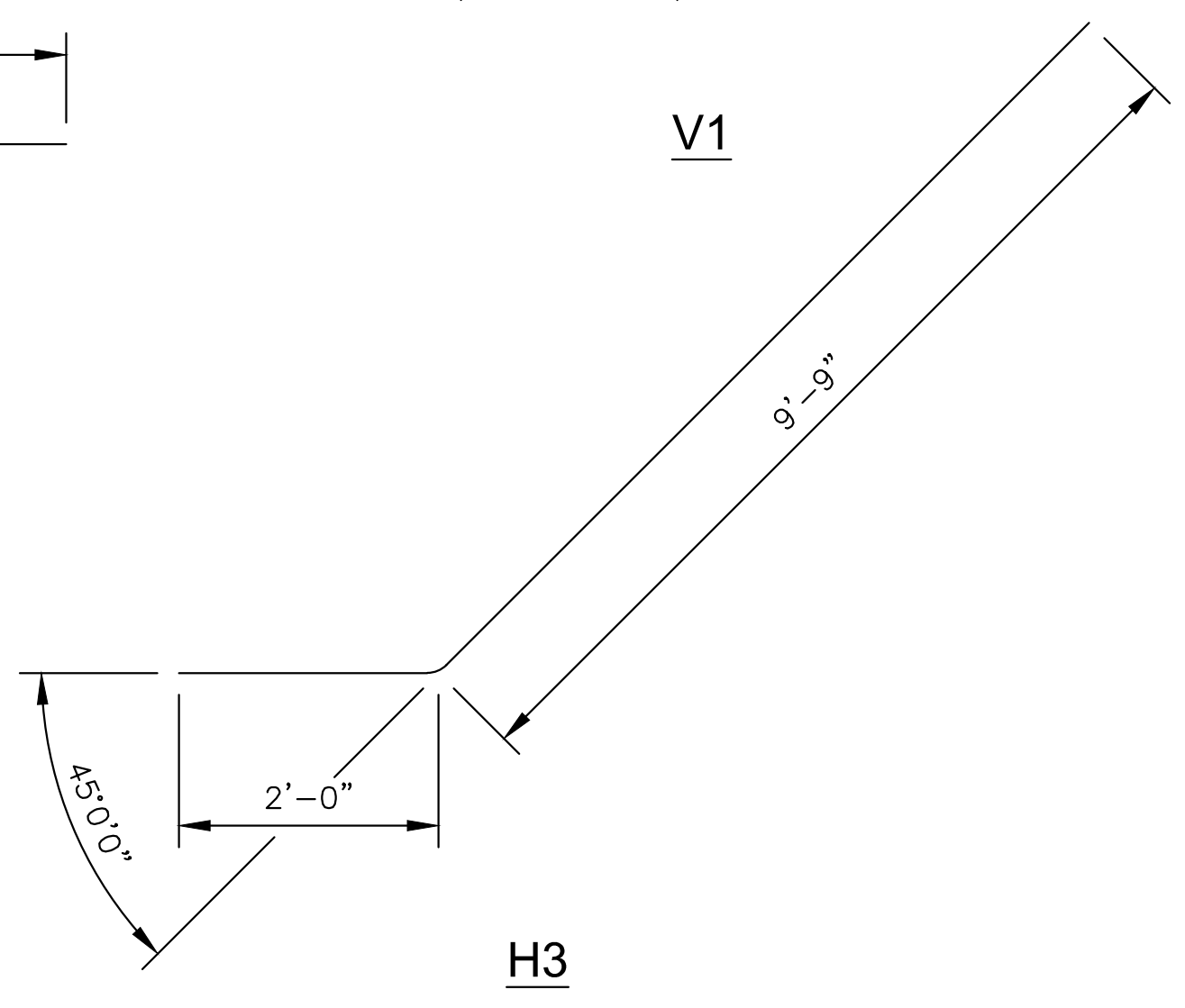
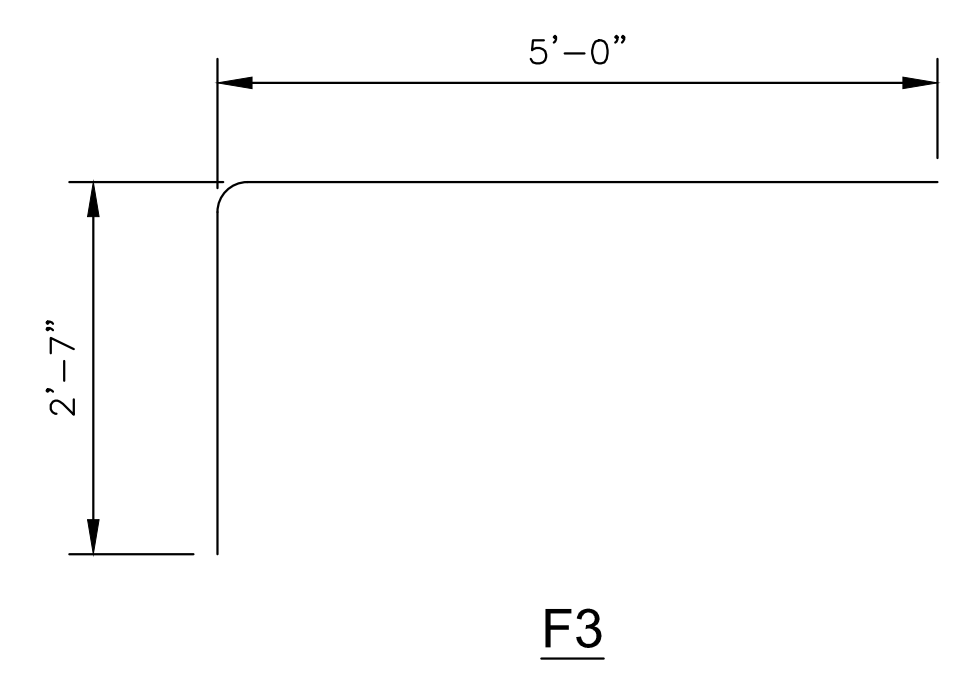
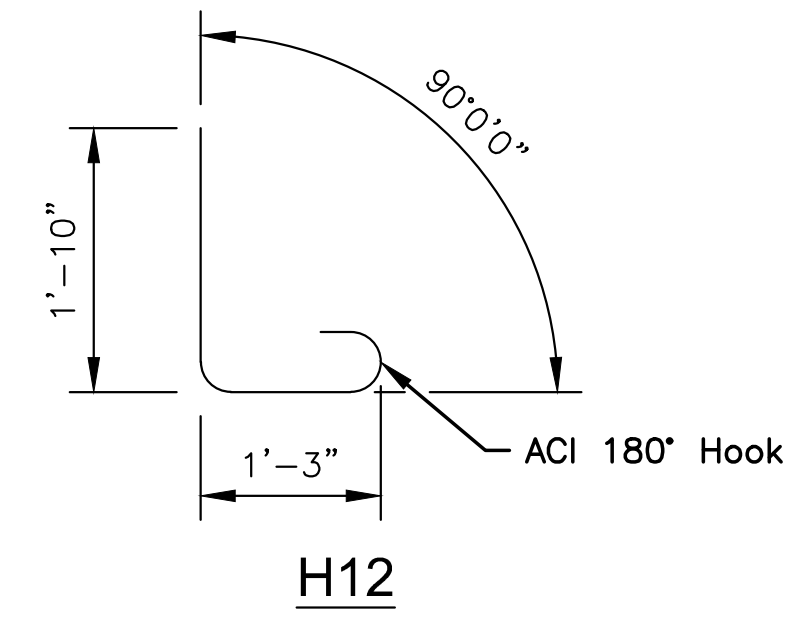
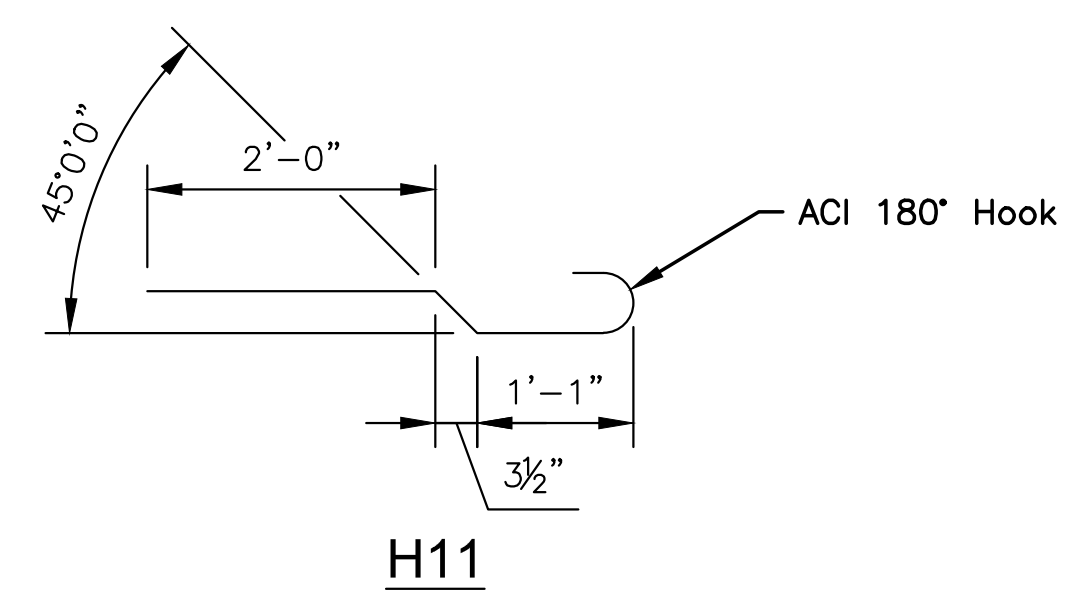
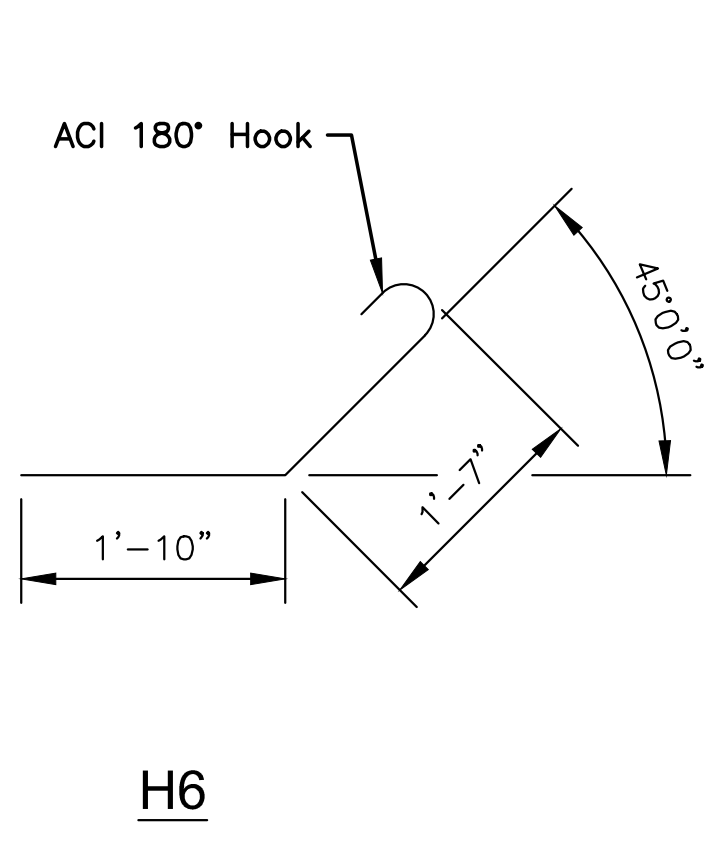
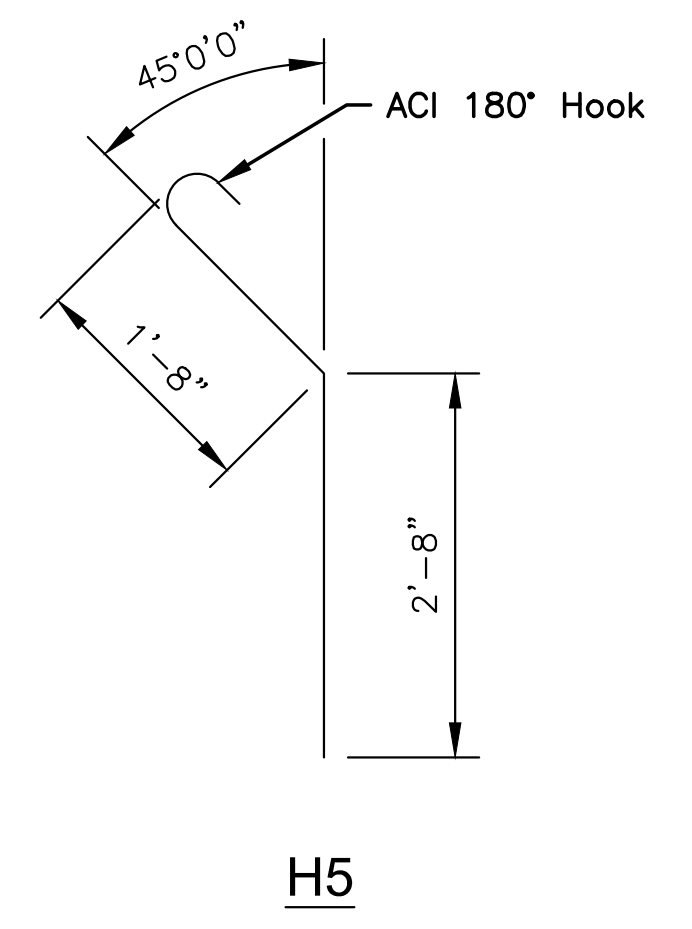
WING WALL JOINT DETAIL ABOVE TOP SLAB
(PLAN VIEW @ Wingwall)
(Phase 2 - S.E. Wingwall and Phase 3 - both Wingwalls)



WING WALL JOINT DETAIL BELOW TOP SLAB
(PLAN VIEW @ Wingwall)
(Phase 2 - S.W. Wingwall)



WING WALL JOINT DETAIL ABOVE TOP SLAB
(PLAN VIEW @ Wingwall)
(Phase 2 - S.W. Wingwall)



BAR BENDING DIAGRAMS

Note: All dimensions are out to out of bars.

FOR INFORMATION ONLY

BILL OF REINFORCING STEEL - PHASE 2 (Grade 60, Epoxy-Coated)									
Straight Bars					Bent Bars				
Mark	Size	No.	Length	Length Variation	Mark	Size	No.	Length	Length Variation
F6	#5	2	5'-2"		F3	#5	60	7'-7"	
H2	#5	5	15'-1"		F8	#5	4	5'-4"	
H4	#5	9	8'-9"		H3	#5	4	11'-9"	
H7	#5	2	22'-10"		H5	#5	7	4'-11"	
H8	#5	4	20'-6"		H6	#5	2	4'-0"	
H9	#5	3	19'-6"		H11	#5	7	4'-1"	
H10	#5	9	19'-10" AVG.	19'-8" TO 20'-0"	H12	#5	2	3'-8"	
V2	#5	22	6'-0"		V1	#5	62	5'-2"	
V4	#5	40	6'-1" AVG.	4'-4" TO 7'-10"					

FOR INFORMATION ONLY

BILL OF REINFORCING STEEL - PHASE 3 (Grade 60, Epoxy-Coated)							
Straight Bars				Bent Bars			
Mark	Size	No.	Length	Mark	Size	No.	Length
H2	#5	10	15'-1"	F3	#5	40	7'-7"
H4	#5	18	8'-9"	H3	#5	8	11'-9"
V2	#5	40	6'-0"	H5	#5	14	4'-11"
				H6	#5	4	4'-0"
				V1	#5	40	5'-2"