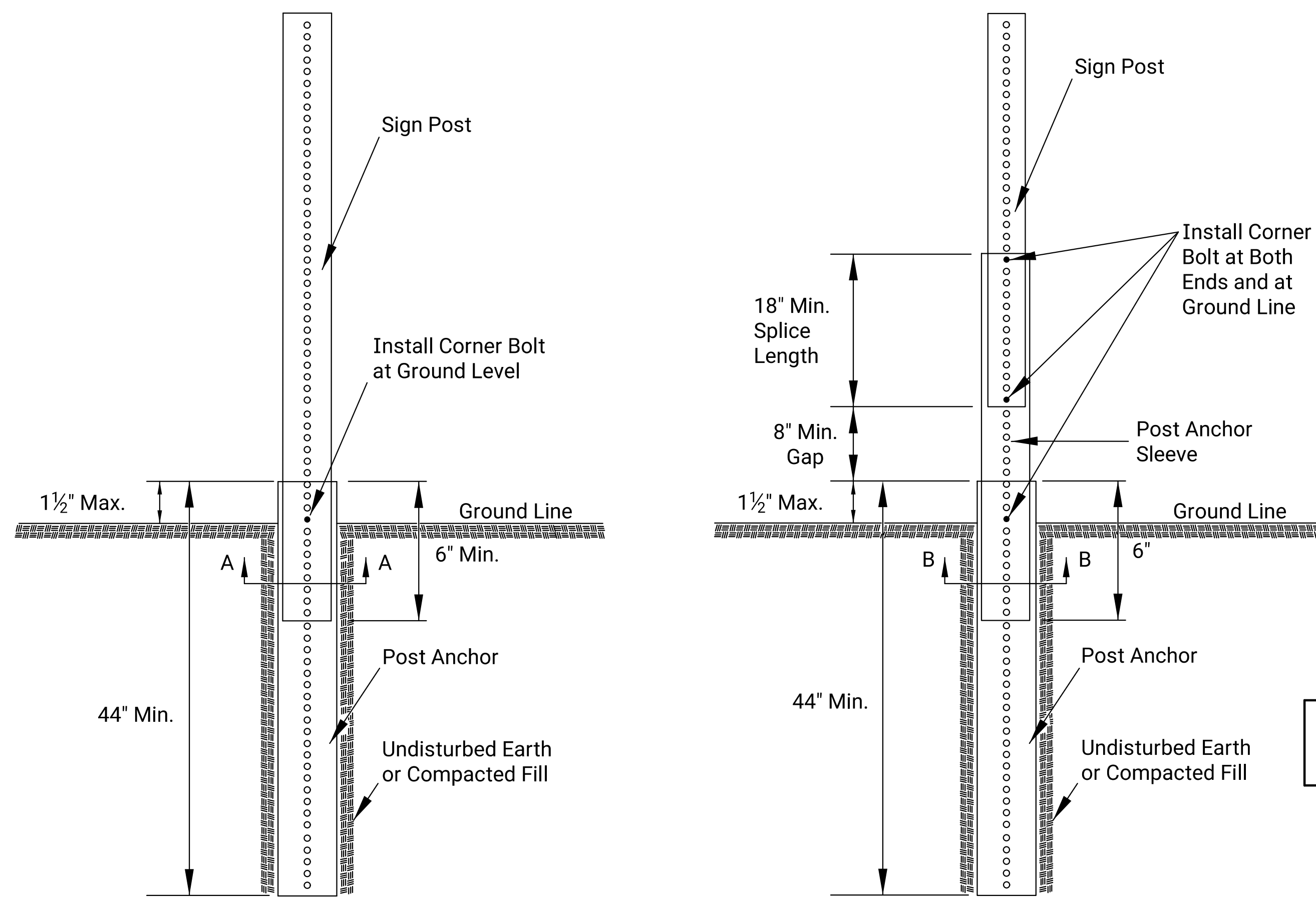


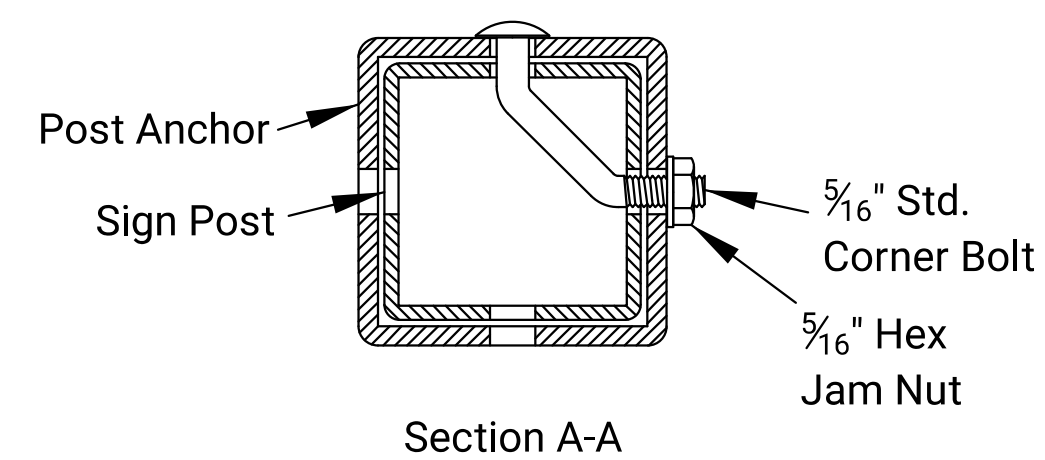
STATE	PROJECT NO.	YEAR	SHEET NO.	TOTAL SHEETS
KANSAS	87 N-0684-01	2019	103	109

### PERFORATED SQUARE STEEL TUBE (P.S.S.T.) POST SETUP

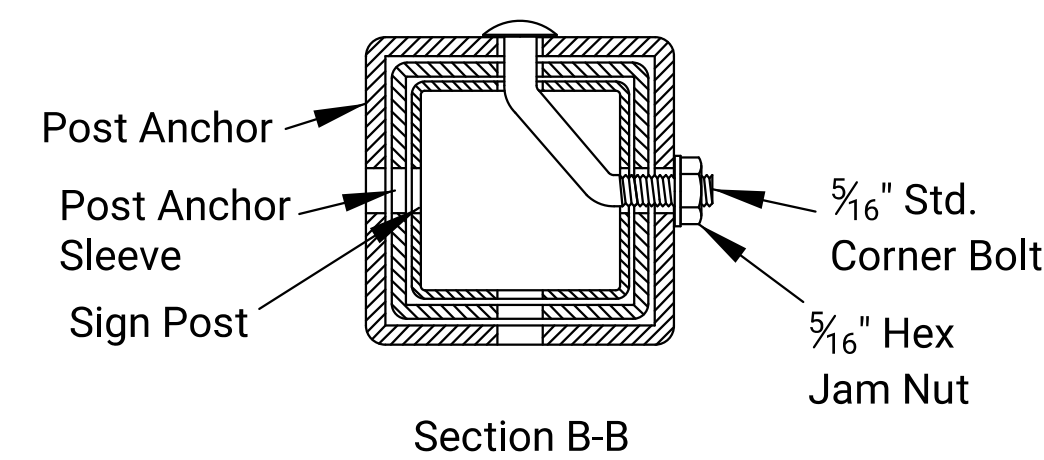


P.S.S.T. Detail

Telescoping P.S.S.T. Detail



Section A-A

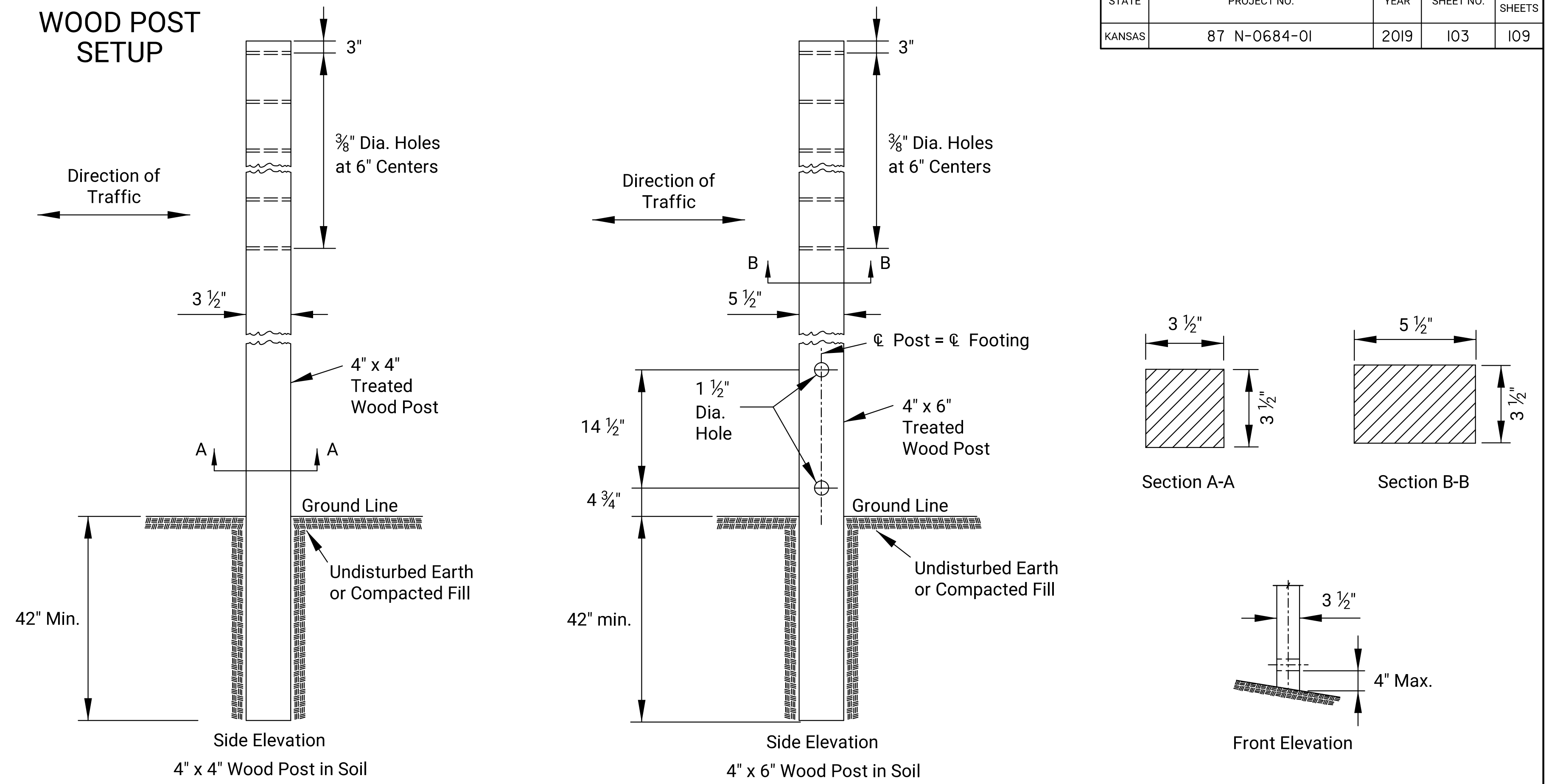


Section B-B

Details for 2", 2 1/4", or 2 1/2" sign posts

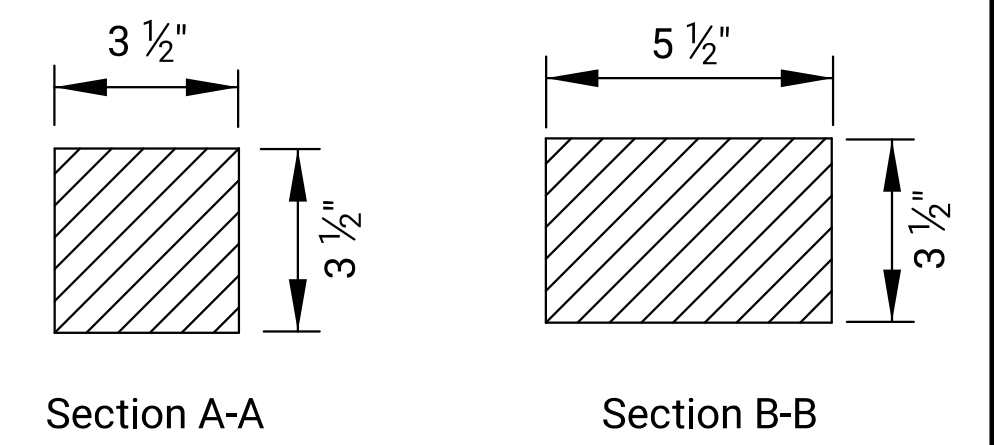
Place bolts in the same corner along each sign post.

### WOOD POST SETUP



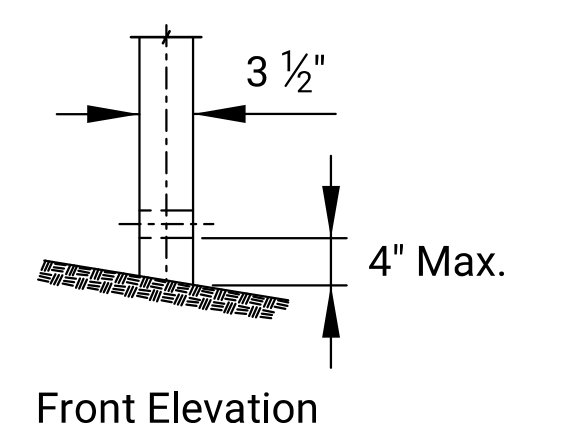
Side Elevation  
4" x 4" Wood Post in Soil

Side Elevation  
4" x 6" Wood Post in Soil



Section A-A

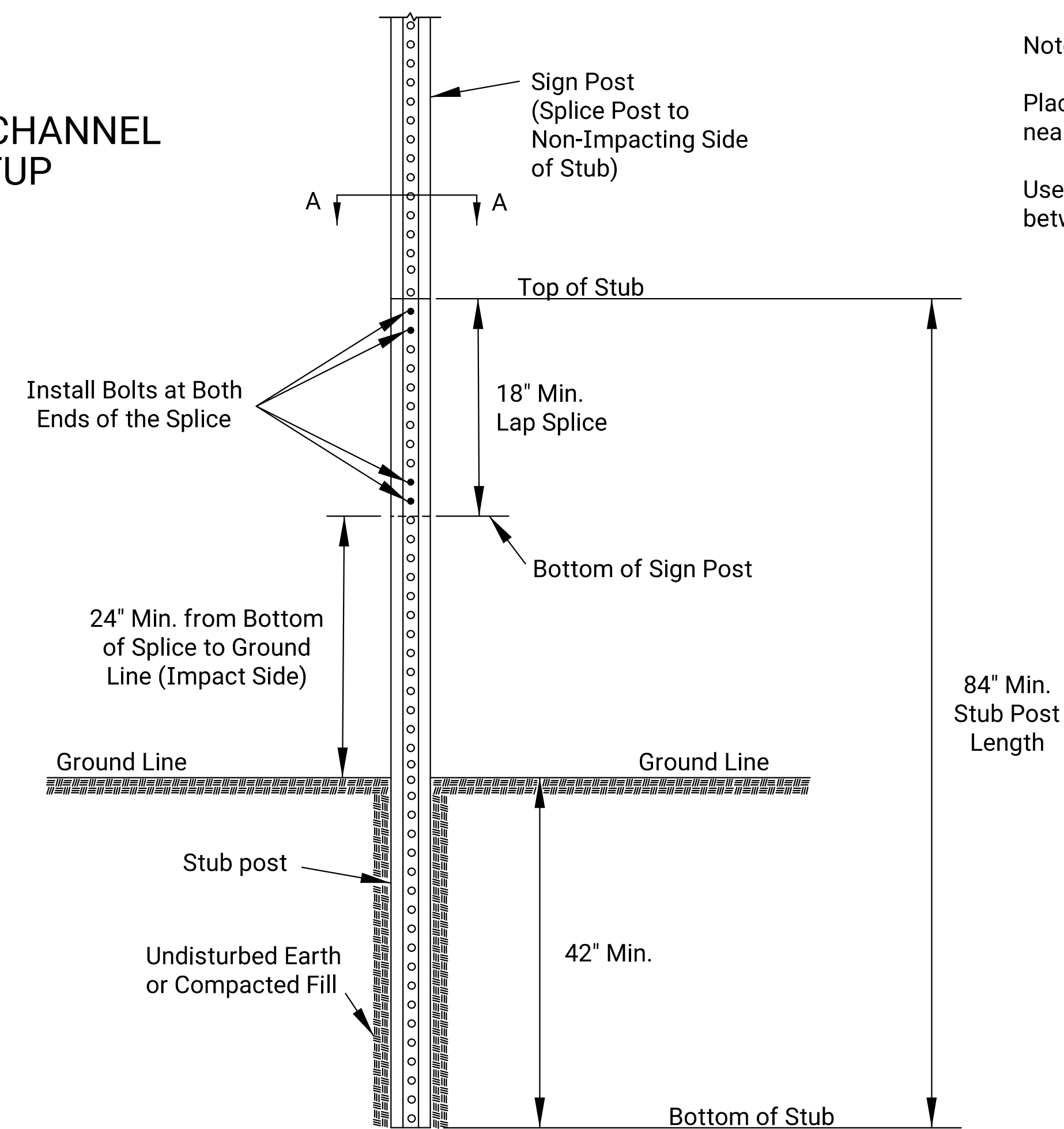
Section B-B



Front Elevation

See TE710 for Additional Details and Requirements

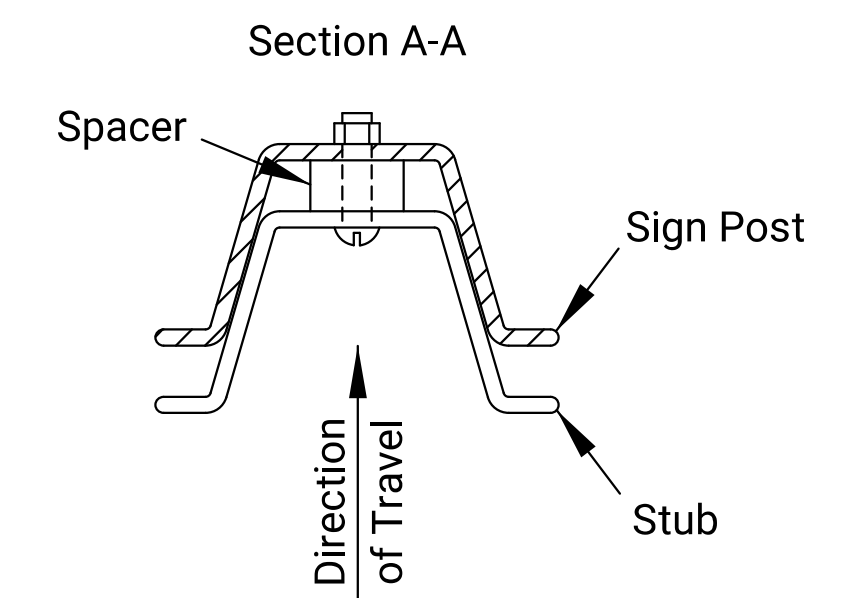
### 3 LB/F U-CHANNEL SETUP



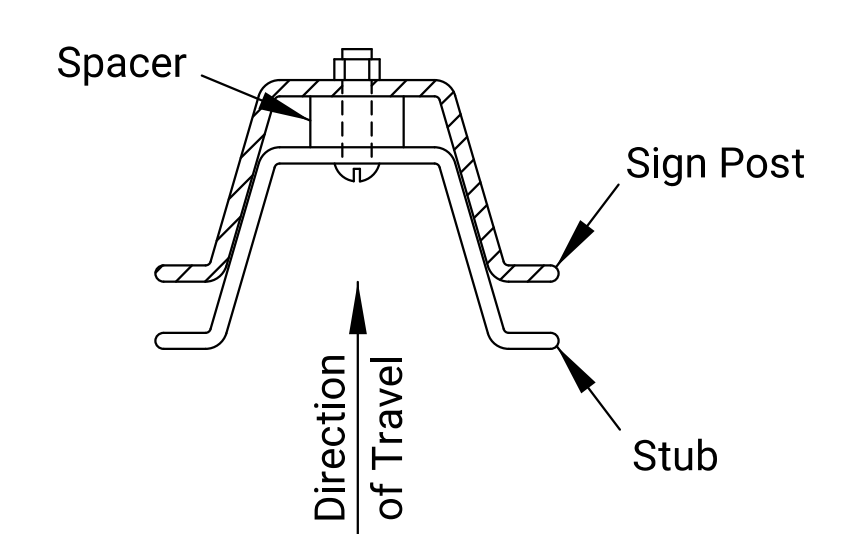
Notes:

Place two bolts at both ends of the splice through the holes nearest the ends of the splice.

Use manufacturer recommended spacers over the bolts between the spliced pieces of U-Channel.



Section A-A



Section B-B

3					
2					
1					
NO.	DATE	REVISIONS	BY	APPD.	

**KANSAS DEPARTMENT OF TRANSPORTATION**

**TRAFFIC CONTROL SIGN POSTS**

TE712

FHWA APPROVAL	06/01/15	APPD	Kristina Pyle
DESIGNED	B.A.H.	DETAILED	R.W.B.
QUANTITIES	TRACED	QUAN. CK.	TRACE CK.