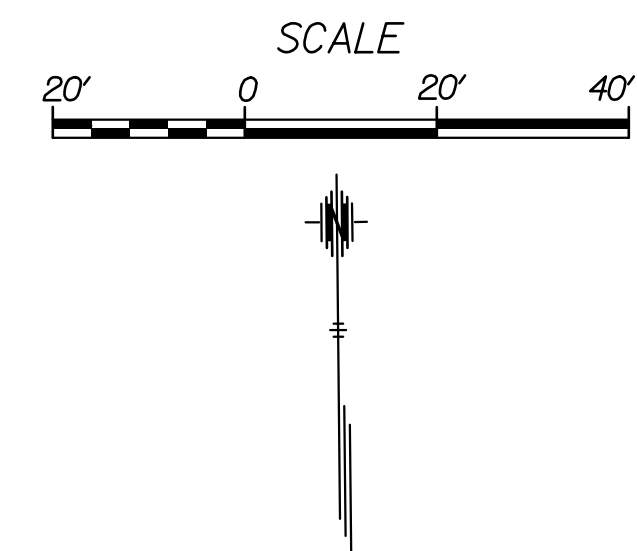


STATE	PROJECT NO.	YEAR	SHEET NO.	TOTAL SHEETS
KANSAS	87 N-0684-01	2019	44	109



NOTE: DEVICE AND CONDUIT SYMBOLOLOGY ON PLAN SHEET IS NOT SHOWN TO SCALE FOR PLAN CLARITY. DO NOT SCALE LOCATIONS FROM PLAN SHEET.

GENERAL NOTES

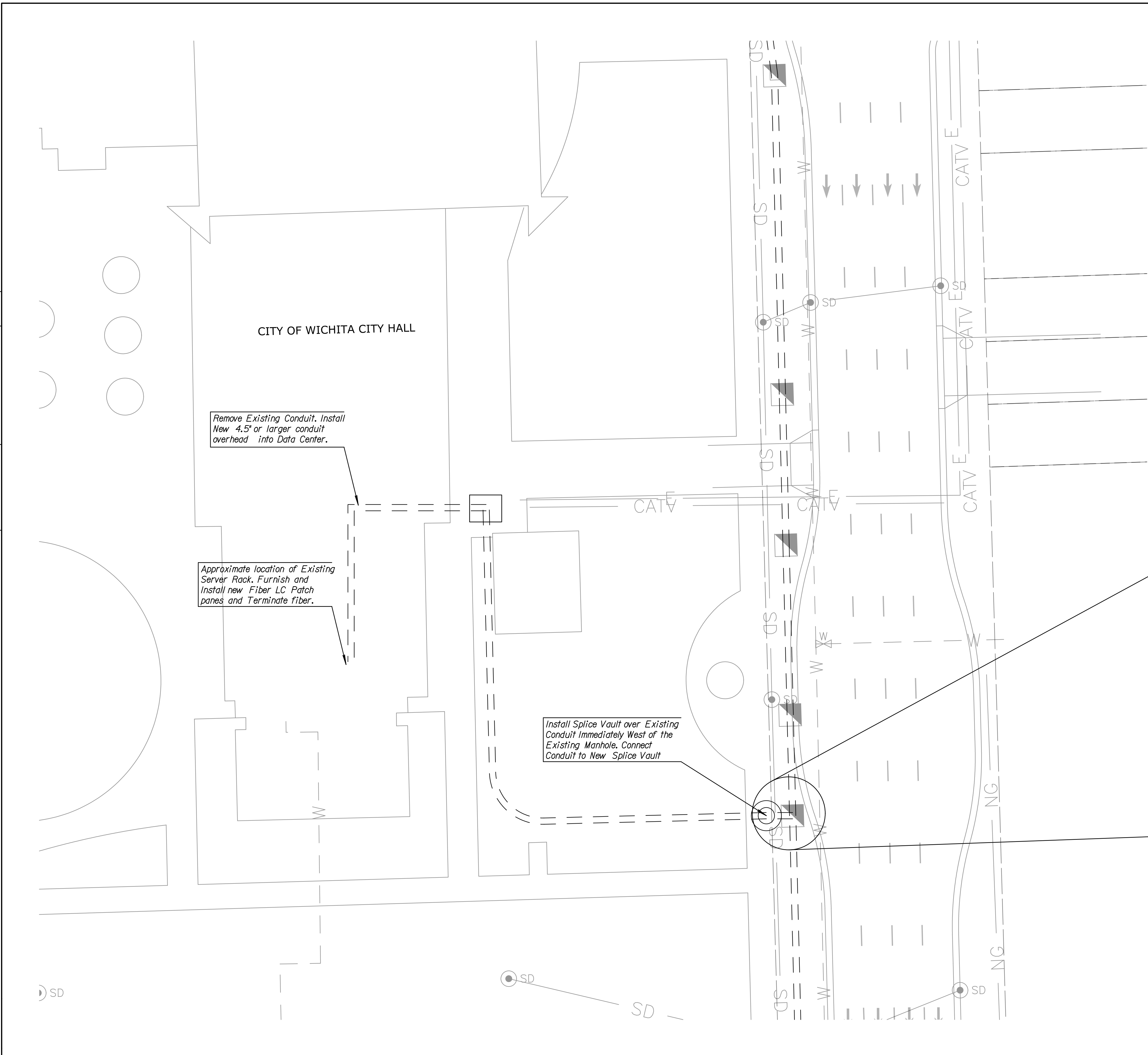
1. CONNECTION TO BUILDING SHALL BE PAID FOR BY THE BID ITEM "INTELLIGENT TRANSPORTATION SYSTEM (LSUM)" AND INCLUDE ALL LABOR, MATERIAL AND EQUIPMENT NECESSARY TO CONNECT FIBER TO BUILDING.
2. ALL FIBERS SHALL BE TERMINATED INTO FDU. FIBER SPLICING AND TERMINATION AT BUILDINGS IS NOT SPECIFICALLY QUANTIFIED AND SHALL BE SUBSIDIARY TO OTHER ITEMS OF THE CONTRACT.
3. FOR ACCESS, CONTACT JOHN HAWKINSON (316-303-8133) OR KEVIN NORMAN (316-268-4590).
4. EXISTING FEATURES AND UTILITIES ARE SHOWN FROM AVAILABLE INFORMATION AND SHOULD BE CONSIDERED APPROXIMATE ONLY. IT IS THE RESPONSIBILITY OF THE CONTRACTOR TO VERIFY UTILITIES AND THEIR EXACT LOCATION PRIOR TO CONSTRUCTION.
5. CONTRACTOR SHALL PROVIDE SHOP DRAWINGS AND DETAILS ON HOW THE CONNECTION TO THE BUILDING WILL OCCUR. THIS PLAN SHALL BE APPROVED BY THE ENGINEER AND BUILDING REPRESENTATIVE PRIOR TO FIBER INSTALLATION.
6. INSTALLATION SHALL MEET APPLICABLE BUILDING CODES.

Use Existing 6C Cable(s) as pull wire for new fabric innerduct and fiber. Install New Fiber using Fiber Innerduct through Existing 3" conduit



DATE	BY

Drawn By : Road
 Plotted : 7/23/2019
 File : c:\transystems\pw_local\transyscorp-pw\1ccbankaid0643930\C-FBR-DET-902.dgn



Remove Existing Conduit. Install New 4.5" or larger conduit overhead into Data Center.

Approximate location of Existing Server Rack. Furnish and Install new Fiber LC Patch panes and Terminate fiber.

Install Splice Vault over Existing Conduit Immediately West of the Existing Manhole. Connect Conduit to New Splice Vault

KANSAS DEPARTMENT OF TRANSPORTATION
 BLDG 4
 WICHITA CITY HALL
 BUILDING CONNECTION