

W < ROUTE A > E

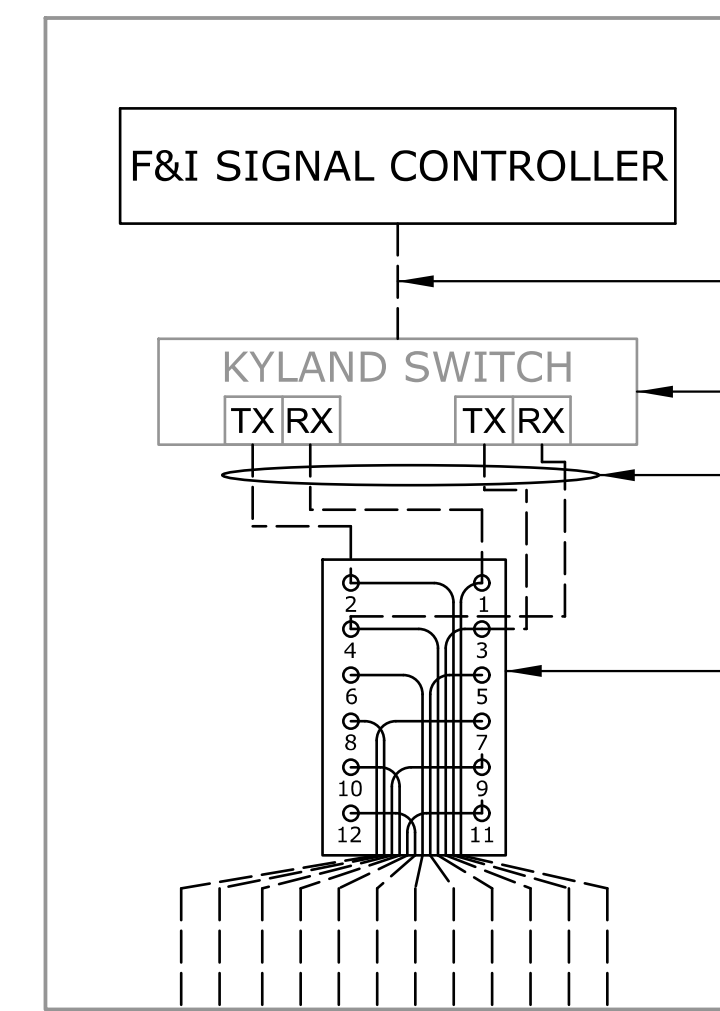
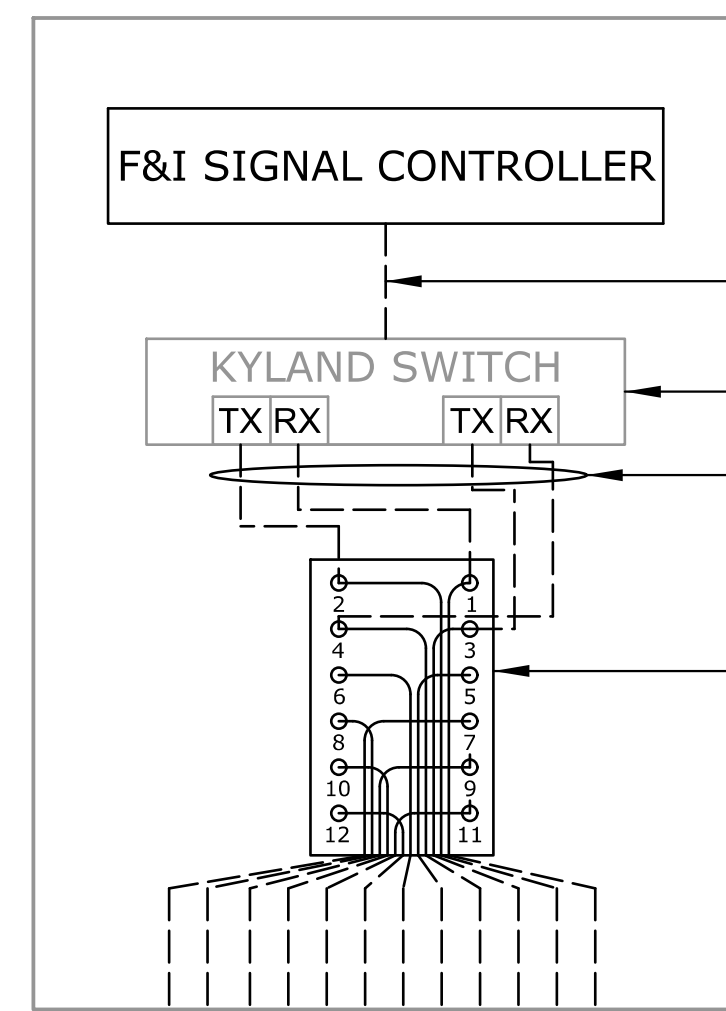
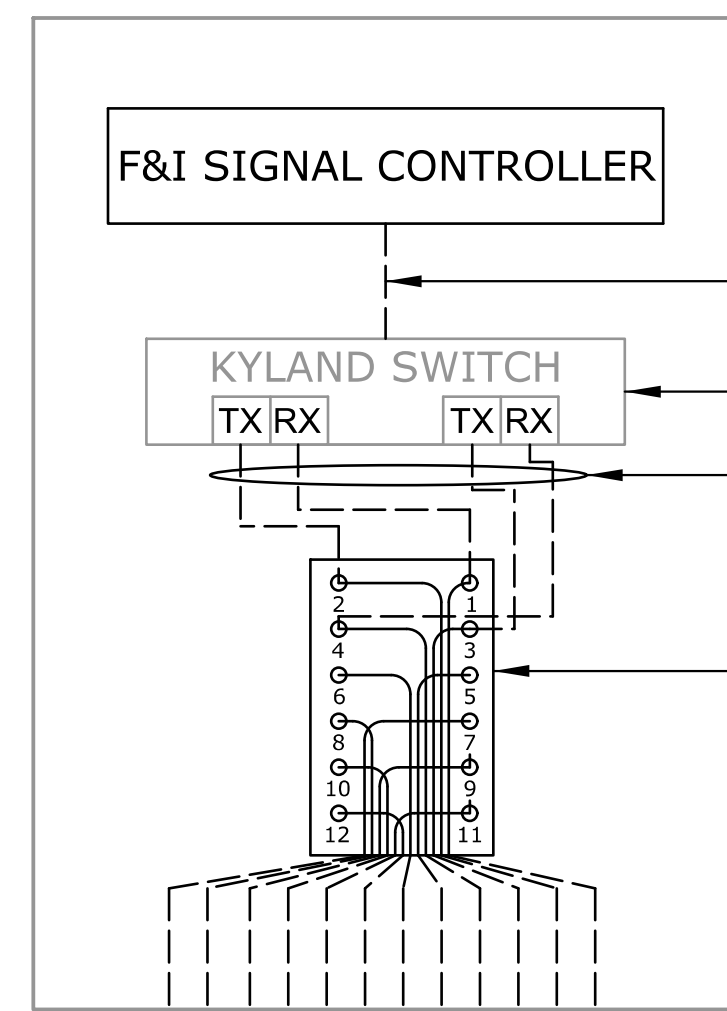
STATE	PROJECT NO.	YEAR	SHEET NO.	TOTAL SHEETS
KANSAS	87 N-0684-01	2019	56	109

DATE	BY	REFERENCES NOTED	REFERENCES CHECKED

SIGNAL 16
INTRUST PED.

SIGNAL 17
PED. NEAR MEAD

SIGNAL 18
WATERMAN & WASHINGTON



F&I 12 SMFO
PRETERMINATED PIGTAIL

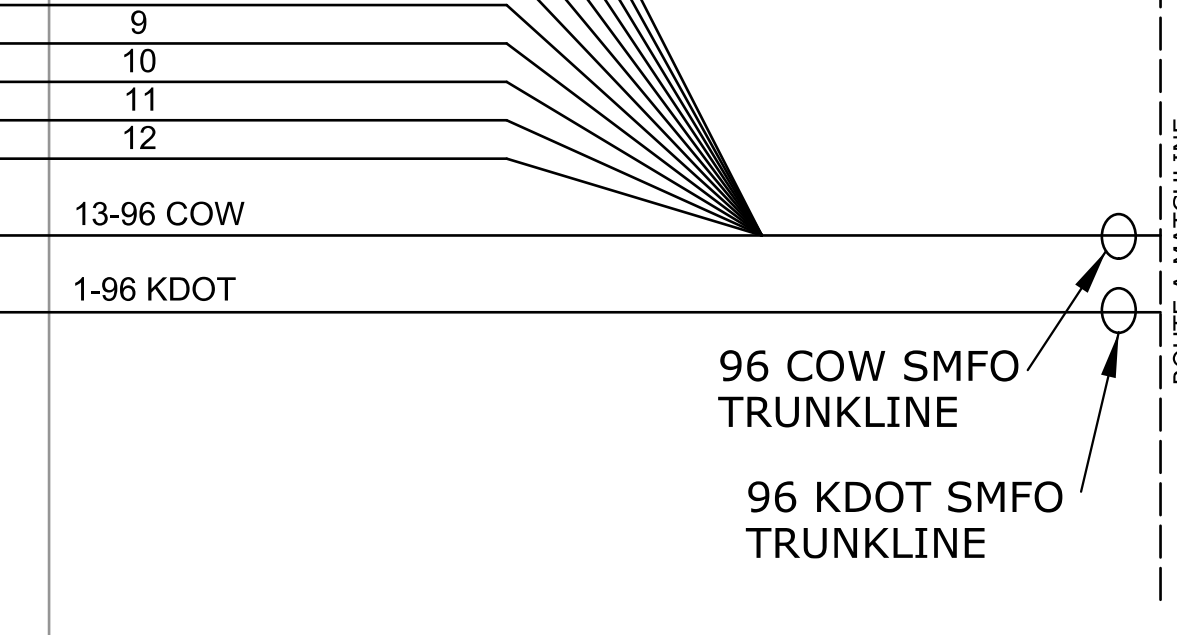
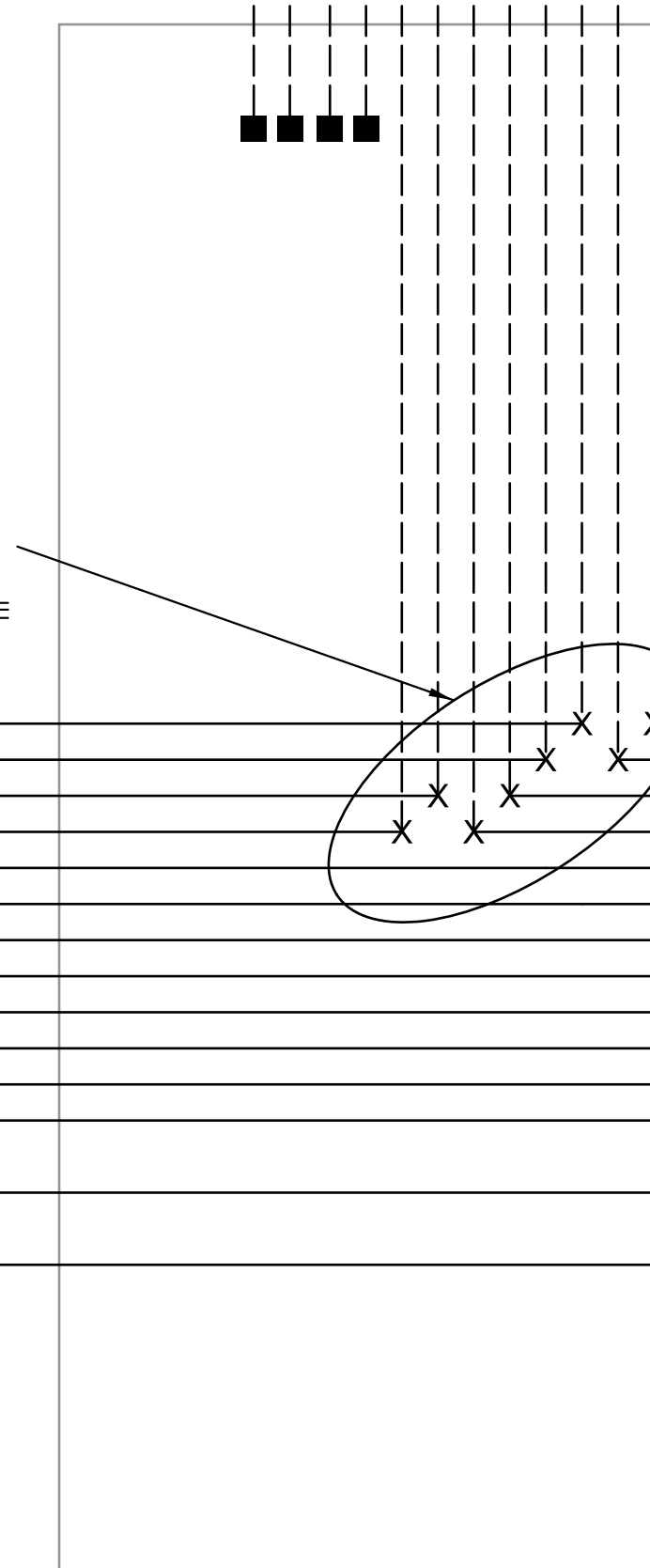
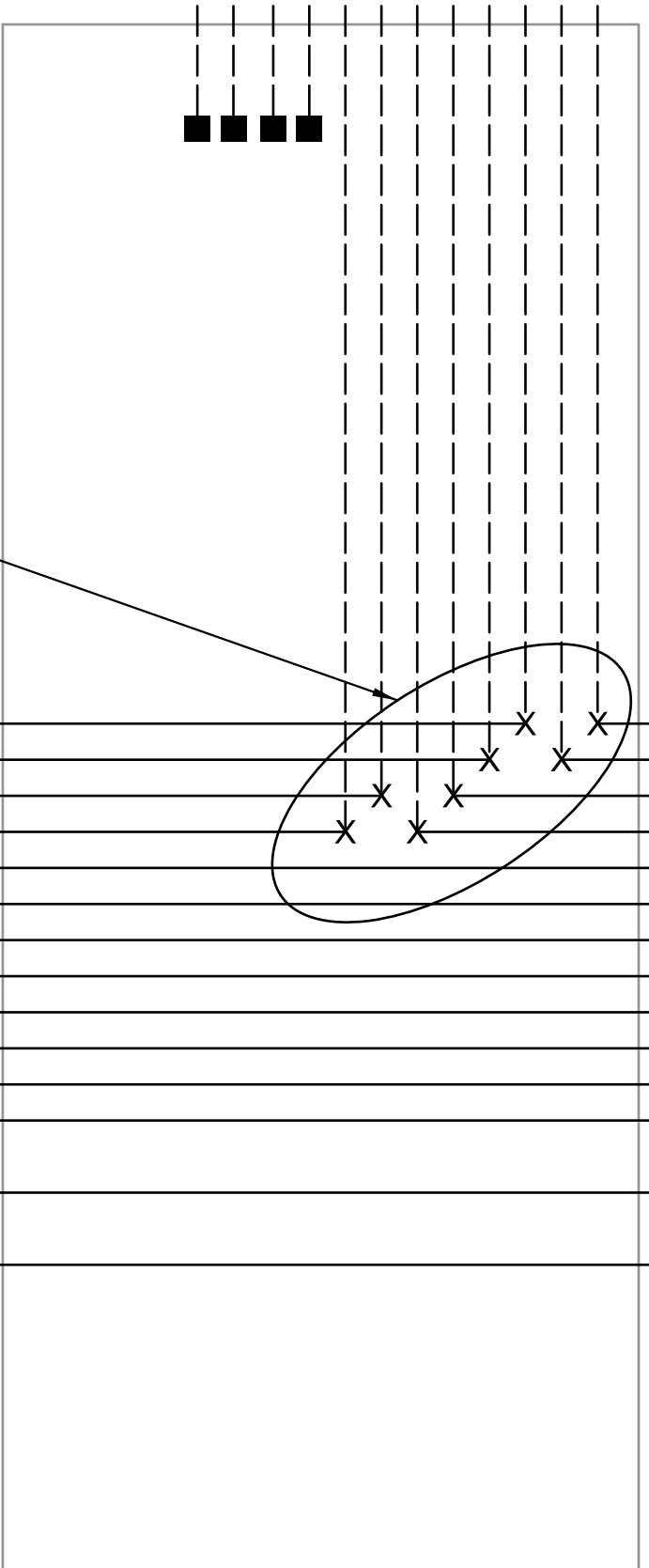
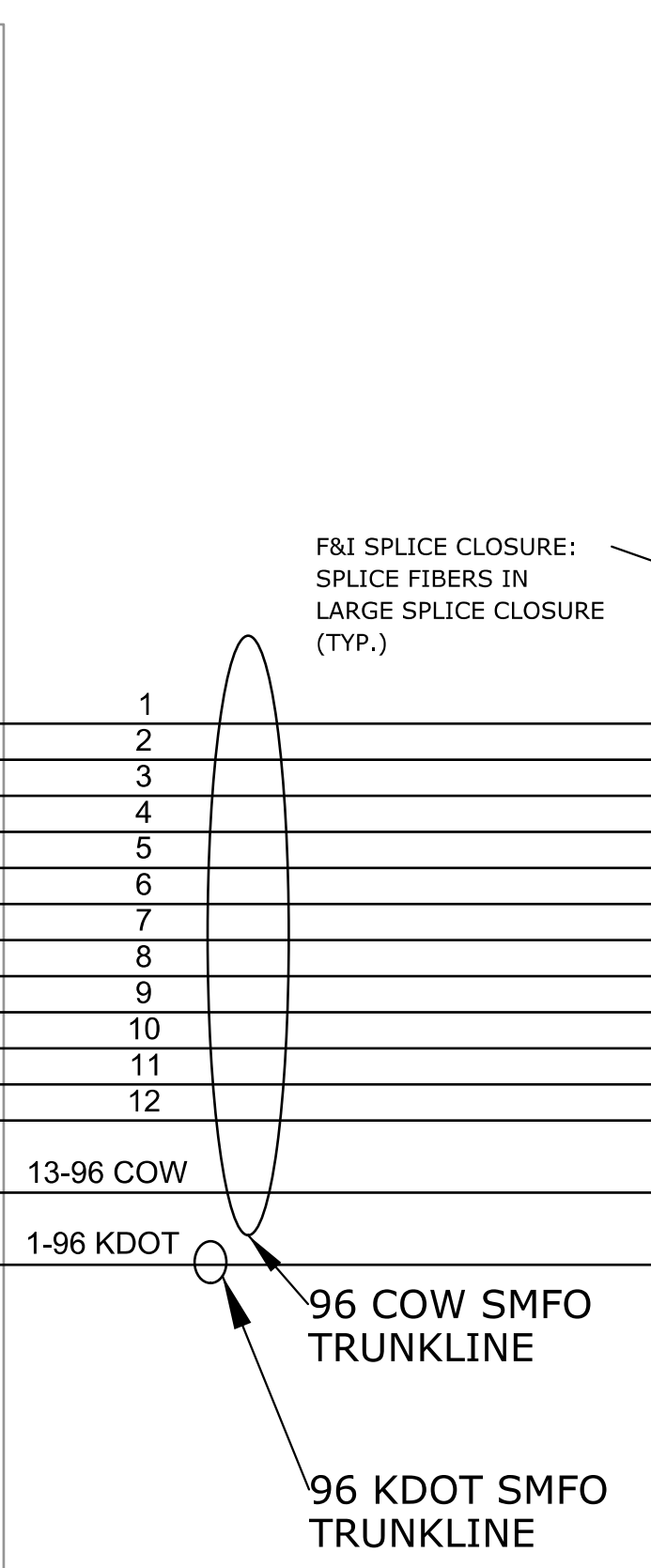
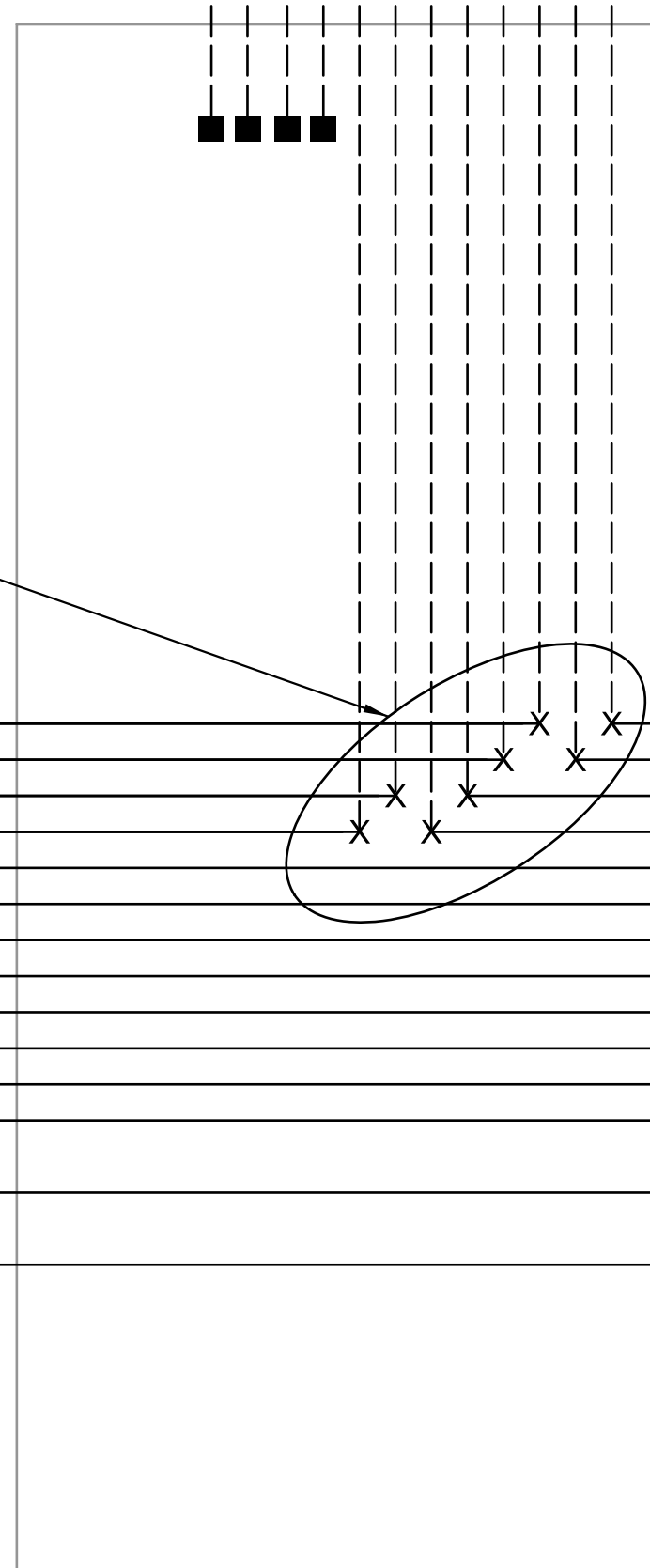
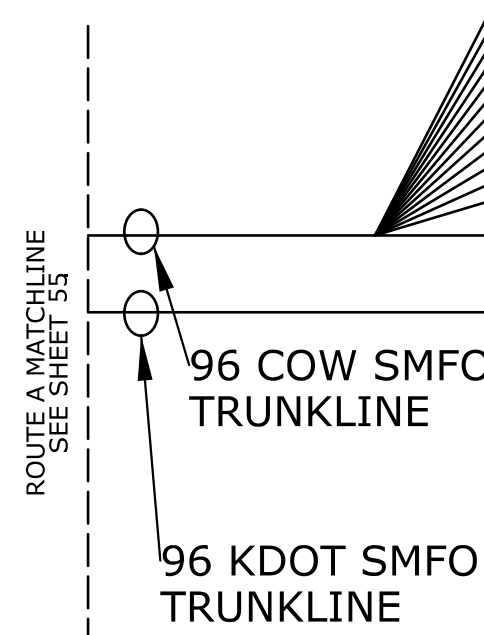
F&I 12 SMFO
PRETERMINATED PIGTAIL

F&I 12 SMFO
PRETERMINATED PIGTAIL

F&I SPLICE CLOSURE:
SPlice FIBERS IN
LARGE SPLICE CLOSURE
(TYP.)

F&I SPLICE CLOSURE:
SPlice FIBERS IN
LARGE SPLICE CLOSURE
(TYP.)

F&I SPLICE CLOSURE:
SPlice FIBERS IN
LARGE SPLICE CLOSURE
(TYP.)



Drawn By : Road
File : c:\transystems\pw_local\transyscorp-pw\ccbankaid0643930\C-ITS-FIBSCH-504.dgn

Plotted : 7/23/2019

KANSAS DEPARTMENT OF TRANSPORTATION

ROUTE A
FIBER OPTIC SCHEMATIC