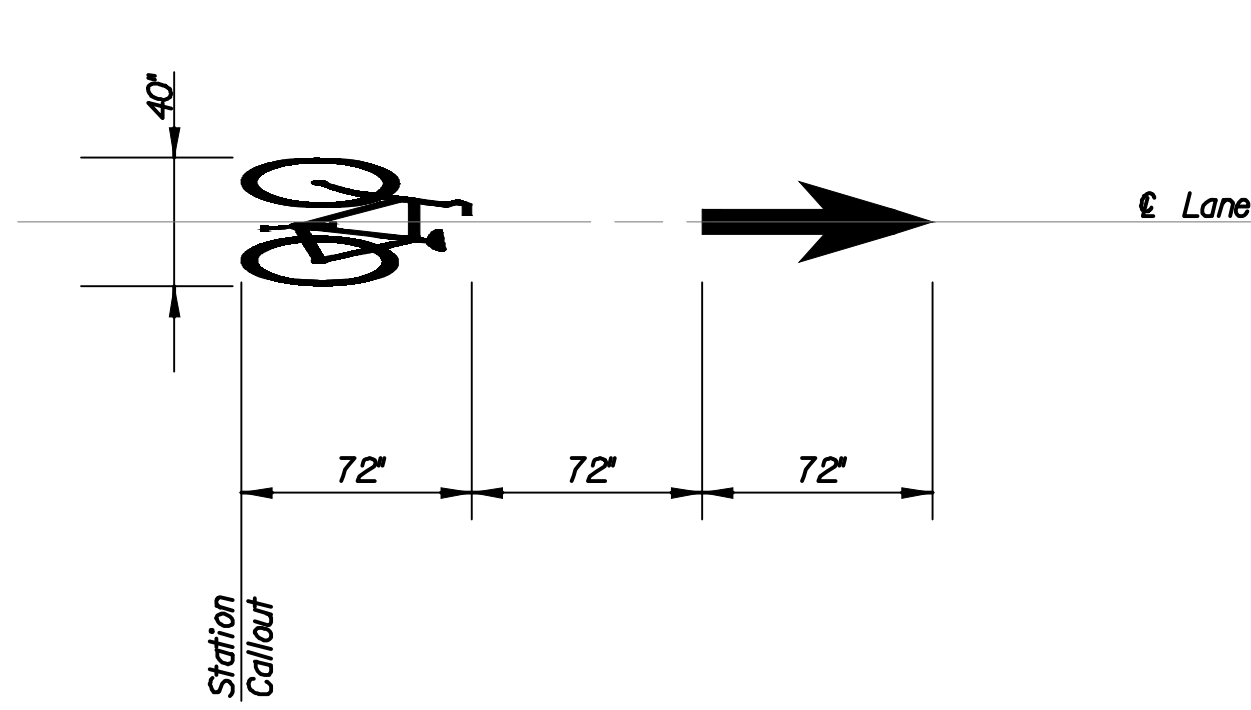
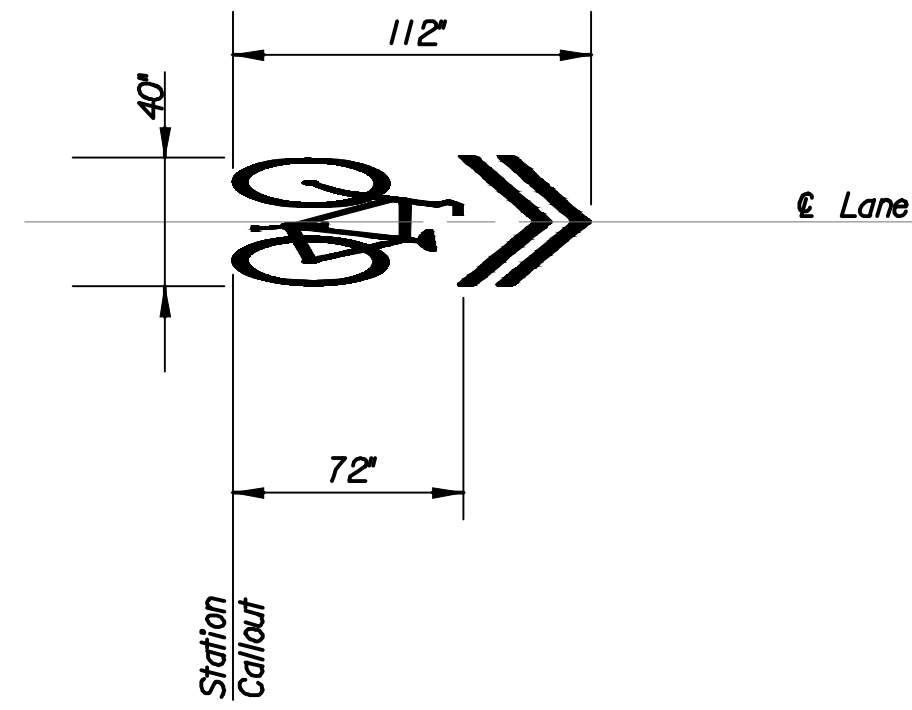




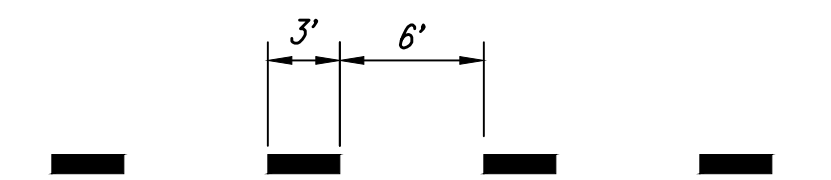
PAVING IMPROVEMENTS
 WACO AVENUE FROM DOUGLAS TO CENTRAL
 GARY JANZEN, P.E. - CITY ENGINEER
 CITY OF WICHITA PROJECT NO. 472-85496



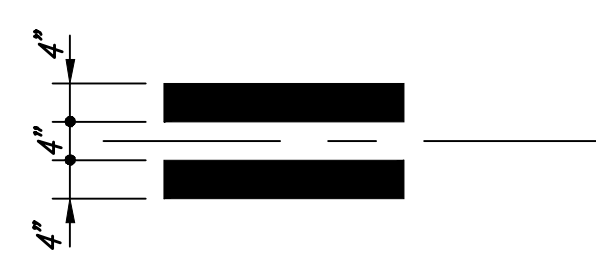
BIKE LANE DETAIL



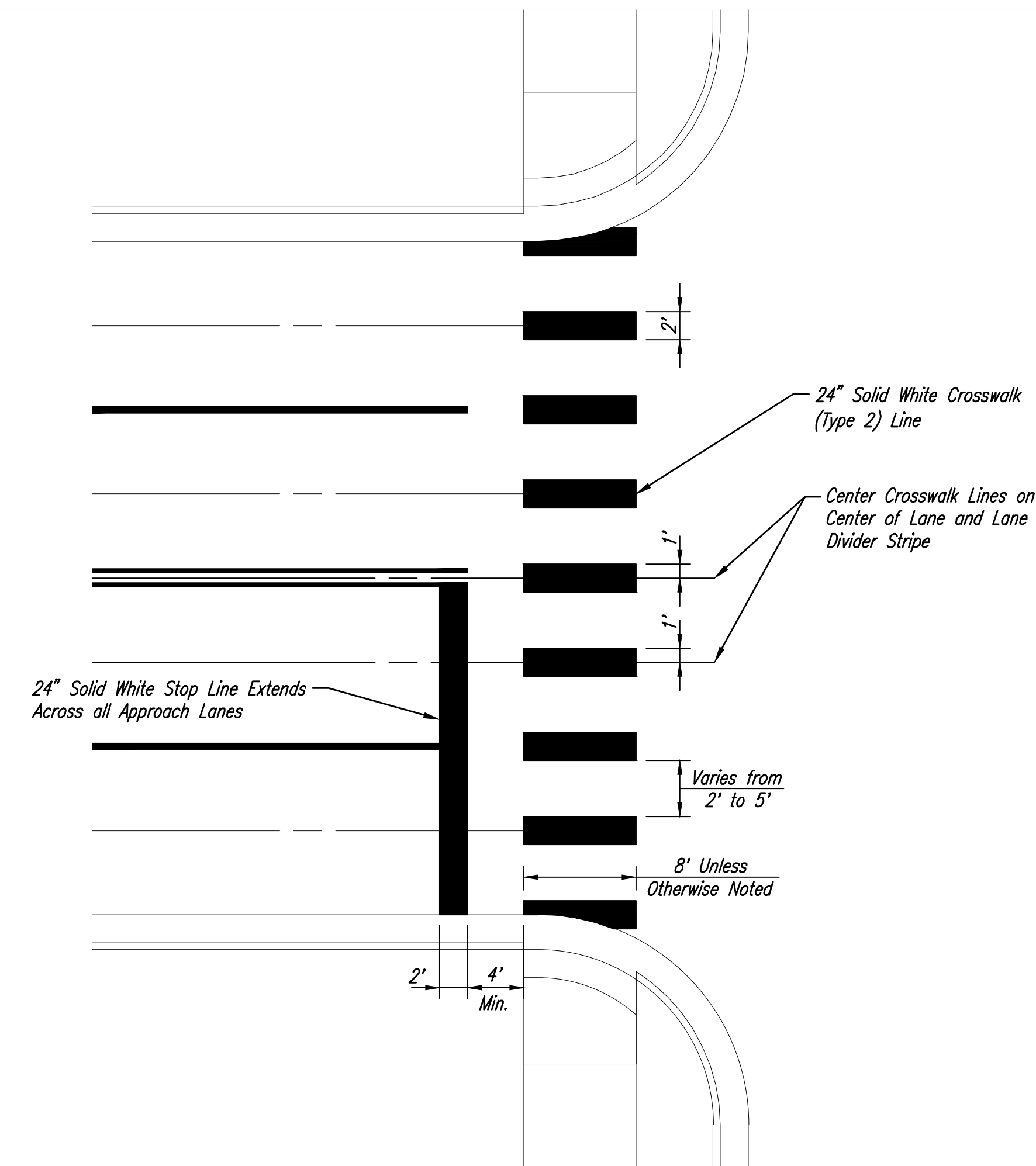
SHARED LANE DETAIL



6" DOTTED WHITE EXTENSION LINE DETAIL



4" SOLID DOUBLE YELLOW LINE DETAIL



CROSSWALK TYPE 2 DETAIL

SUMMARY OF PAVEMENT MARKINGS

LOCATION	6" SOLID WHITE EDGE LINE (L.F.)	6" DOTTED WHITE EXTENSION LINE (L.F.)	6" SOLID WHITE LANE LINE (L.F.)	8" SOLID WHITE LINE (L.F.)	12" SOLID WHITE CHEVRON LINE (L.F.)	24" SOLID WHITE TYPE 2 CROSSWALK LINE (L.F.)	24" SOLID WHITE STOP LINE (L.F.)	4" SOLID YELLOW DOUBLE LINE (L.F.)	4" SOLID YELLOW LINE (L.F.)	4" BROKEN YELLOW LINE (L.F.)	12" SOLID YELLOW DIAGONAL LINE (L.F.)	RIGHT TURN ARROW (EACH)	LEFT TURN ARROW (EACH)	BIKE LANE SYMBOL (EACH)	BIKE LANE ARROW (EACH)	SHARED LANE SYMBOL/ARROW (EACH)	SOLID GREEN BIKE LANE (S.F.)
Waco (Douglas to 1st)	1896	268	350			346	67	349	674	674		2	8	7	5	2	
Waco (1st to 2nd)	1147	1106	201			184	70	301	526	526			6	6	6		718
Waco (2nd to 3rd)	514	1036	200			168	57	300	546	546			6	6	6		2020
Waco (3rd to Central)	1358	442	100	42	32	168	60	391	362	362			7	6	6		
Waco (Central to End)			283			288	36					2	2				
1st st.	612	340	126			80	30	460			44		2	6	5	1	1032
TOTALS*	5527	1064	1260	42	32	1234	320	3602	2108	527	44	4	31	31	28	3	3770

* Totals reflect total material used.

Saved 6-7-2019 10:24:16 AM by CP
 Plot Scale: 1" = 7'-3" (2019) 1:44.45 PM by CARLOS PEREZ
 U:\Wichita-Civil\001817042\000MunTrans\Drawings\187042-006-37C-SIGNING & MARKING QUANTITIES

Issue:	
JOB NO.	187042-006
DATE	JUNE 2019
PM	BMM
DESIGNED BY	RJS, SAC
DRAWN BY	CP, BJS
CHECKED BY	BMM

SIGNING & MARKING QUANTITIES