



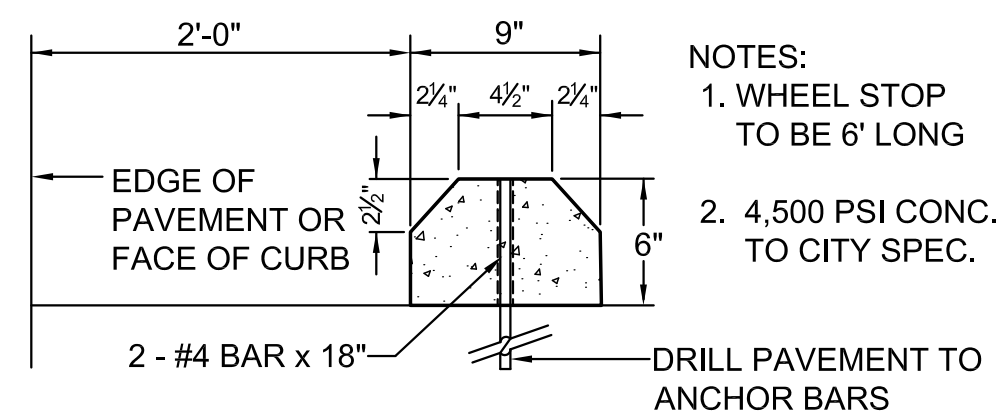
©2019 MKEC Engineering All Rights Reserved www.mkec.com
These drawings and their contents, including, but not limited to, all concepts, designs, & ideas are the exclusive property of MKEC Engineering (MKEC), and may not be used or reproduced in any way without the express consent of MKEC.

SITE DETAILS

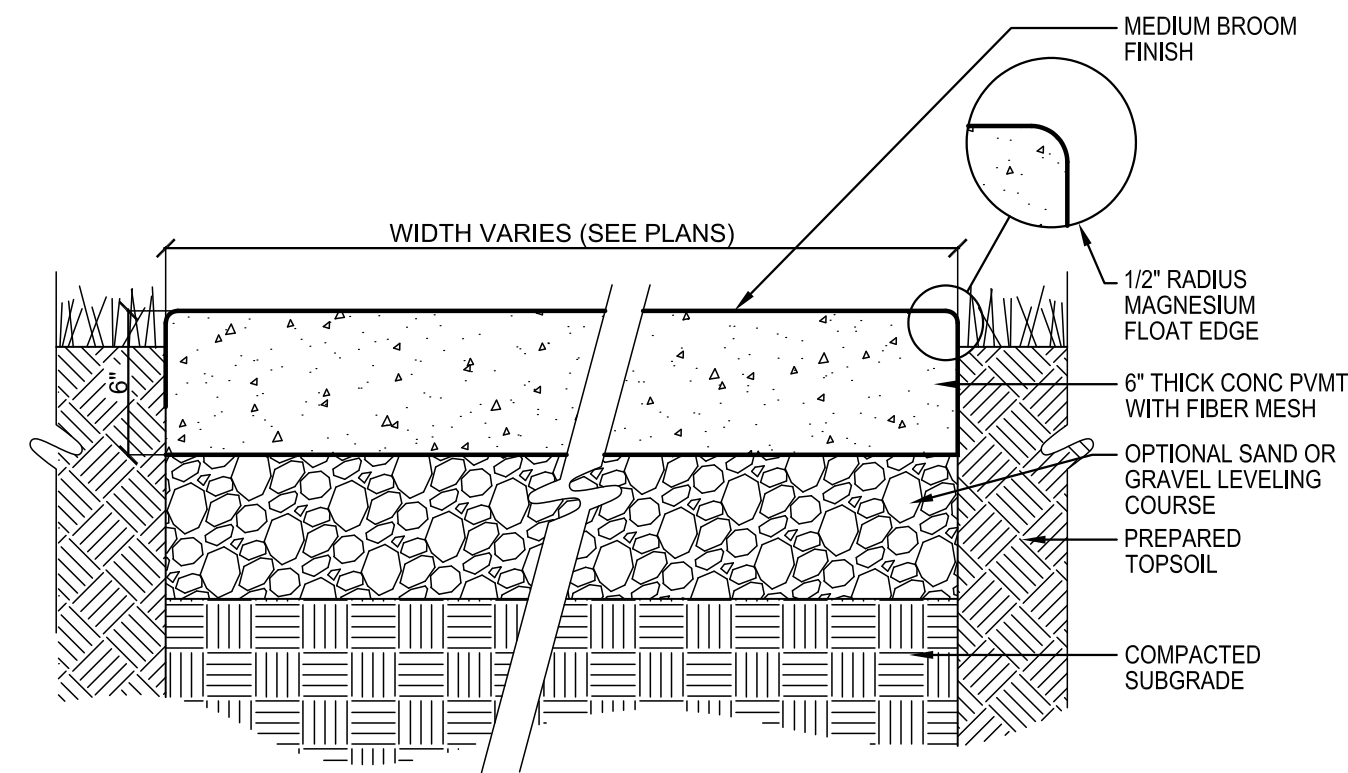
PROJECT NO.	1701010567
DATE	OCT. 16, 2019
SCALE	AS NOTED
DESIGNED	RKO
DRAWN	RKO
CHECKED	MAB

0	IFC	10-16-19
NO.	REVISION	DATE

SHEET NO.
04 OF 16

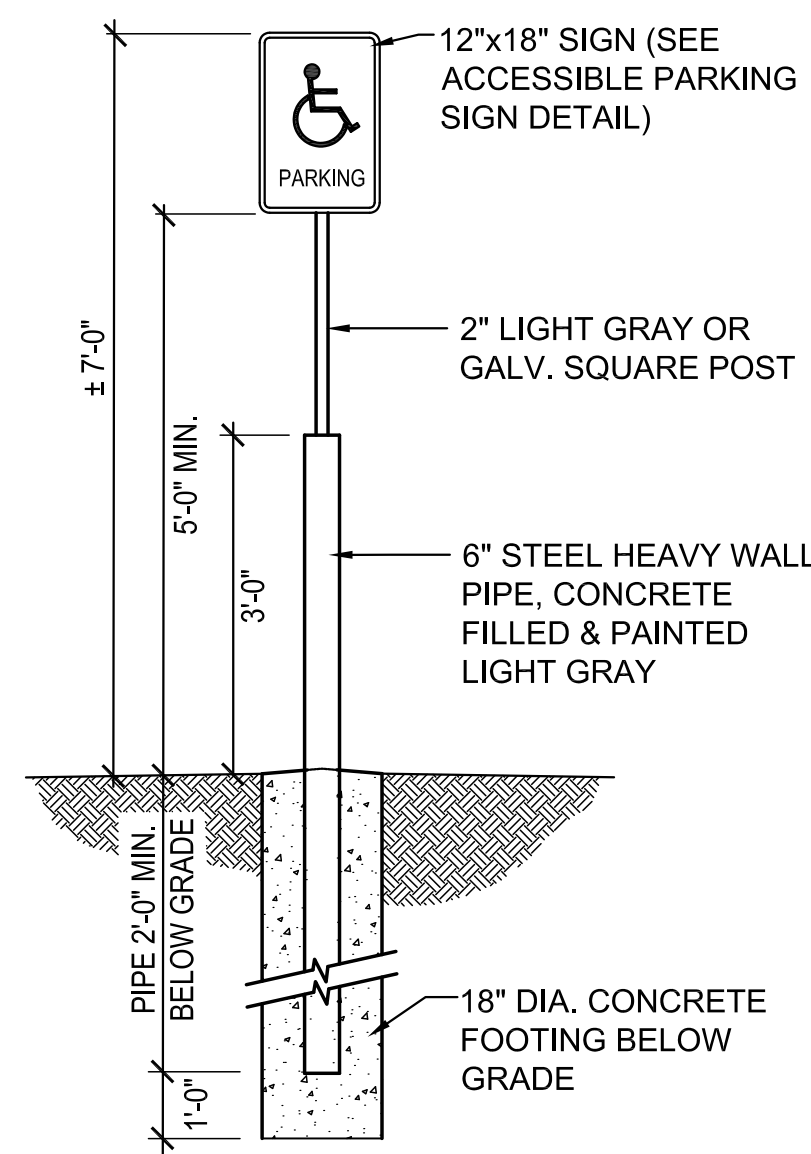


1 WHEEL STOP DETAIL
SCALE: 1-1/2" = 1'-0"

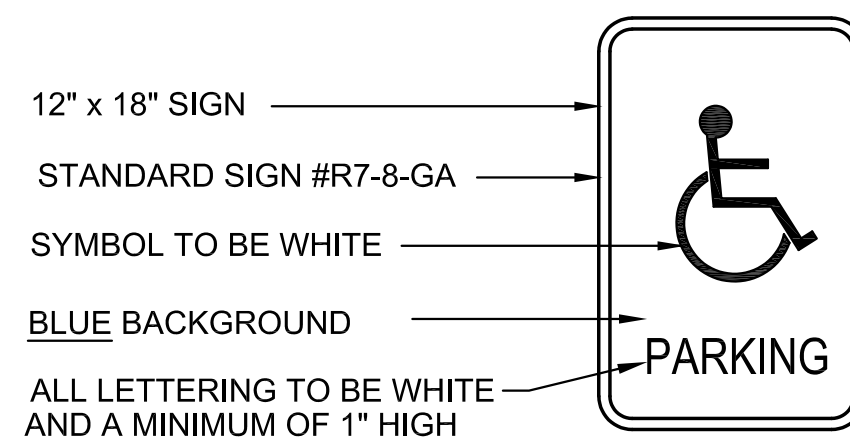


2 CONC. SIDEWALK
SCALE: NOT TO SCALE

GENERAL NOTE:
SIDEWALKS SHALL NOT EXCEED 5% SLOPE OR EXCEED A 2% GROSS SLOPE.

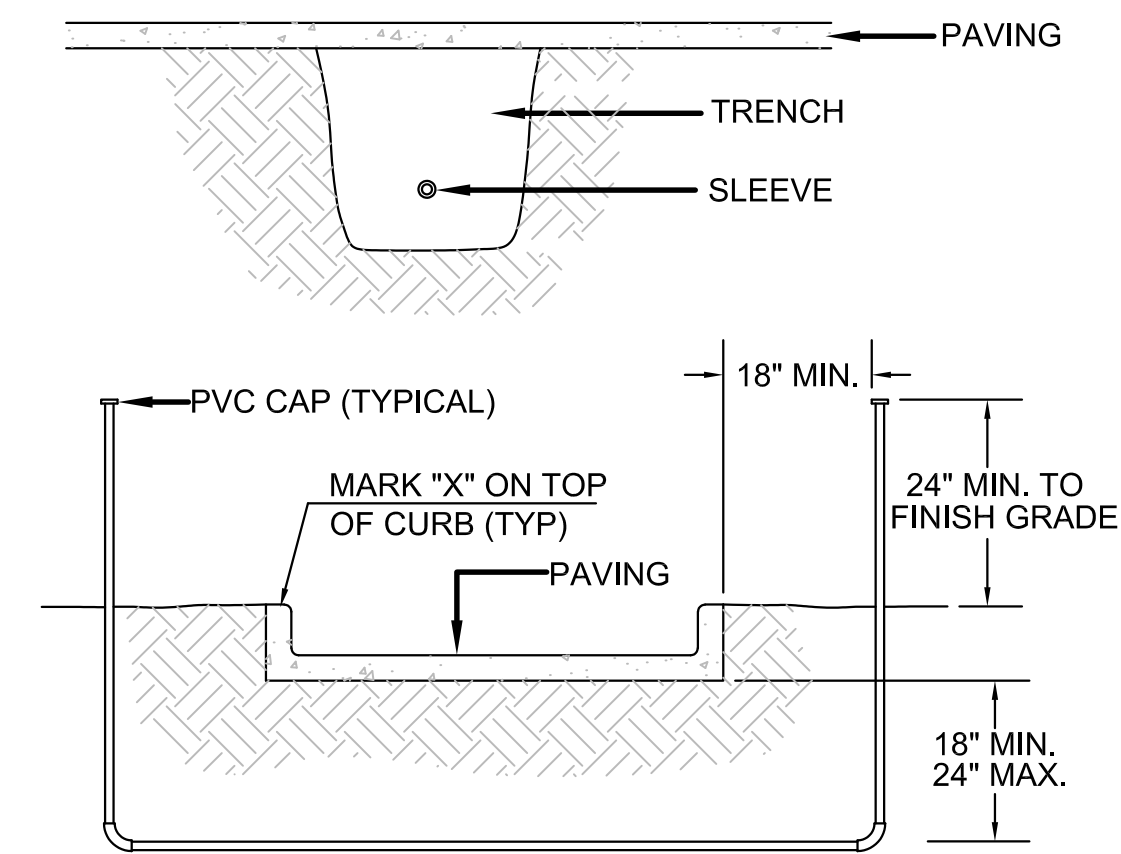


3 ACCESSIBLE SIGN MOUNTING
SCALE: NOT TO SCALE



4 ACCESSIBLE PARKING SIGN
SCALE: NOT TO SCALE

NOTES:
1. ALL SIGNS TO BE 0.080" THICK ALUMINUM
2. ALL SIGNS SHALL CONFORM WITH ALL CURRENT A.D.A., FEDERAL, STATE AND LOCAL CODES AND REGULATIONS.
3. ONE AT EACH ACCESSIBLE SPACE



NOTES:
1. ALL PVC IRRIGATION SLEEVES TO BE CLASS 200 PIPE.
2. ALL JOINTS TO BE SOLVENT WELDED AND WATERTIGHT.
3. EXTEND THE SLEEVE TO 24 INCHES MINIMUM ABOVE FINISH GRADE.
4. MECHANICALLY TAMP TO 95% PROCTOR.

5 SLEEVING DETAIL
SCALE: NOT TO SCALE