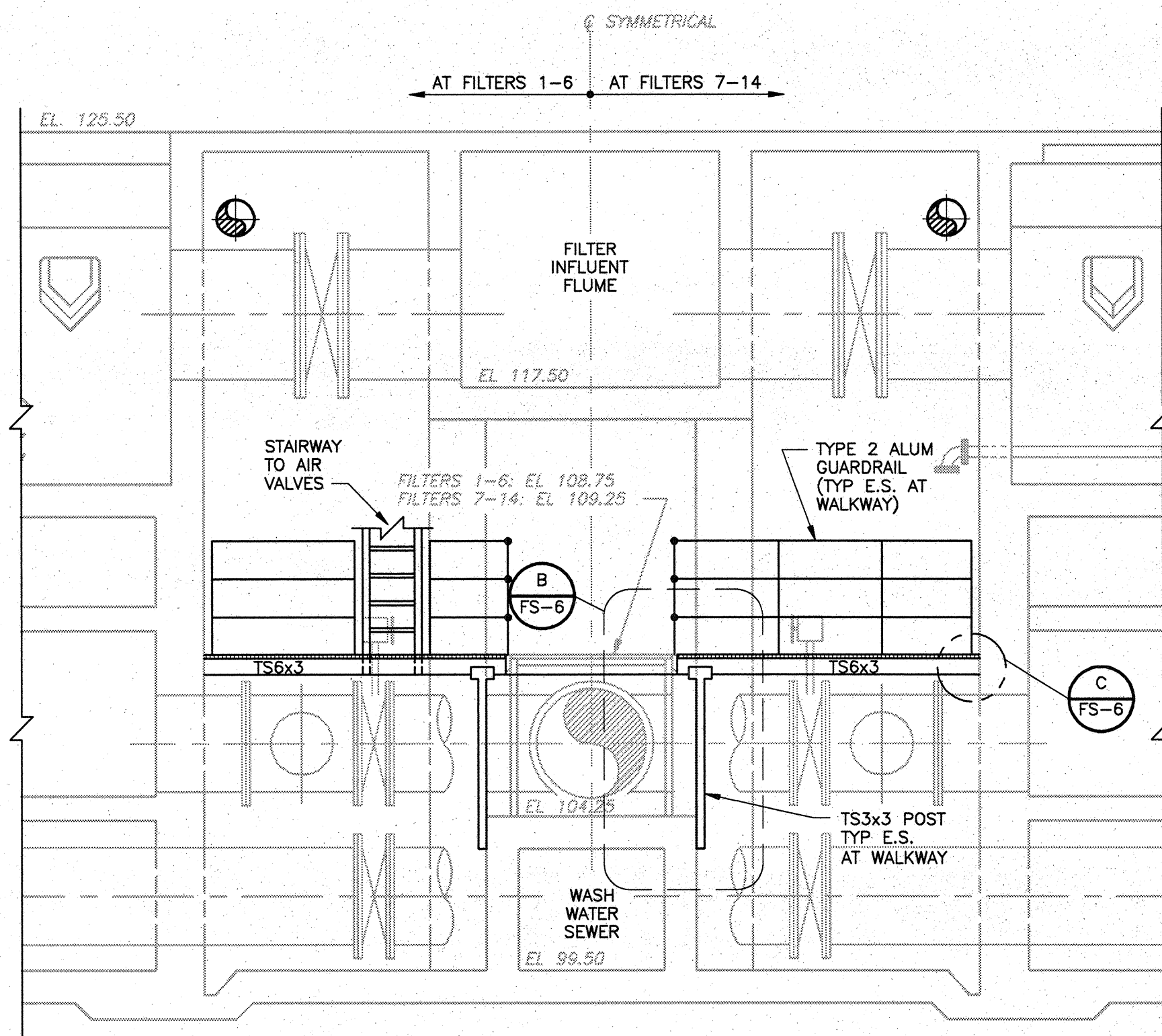
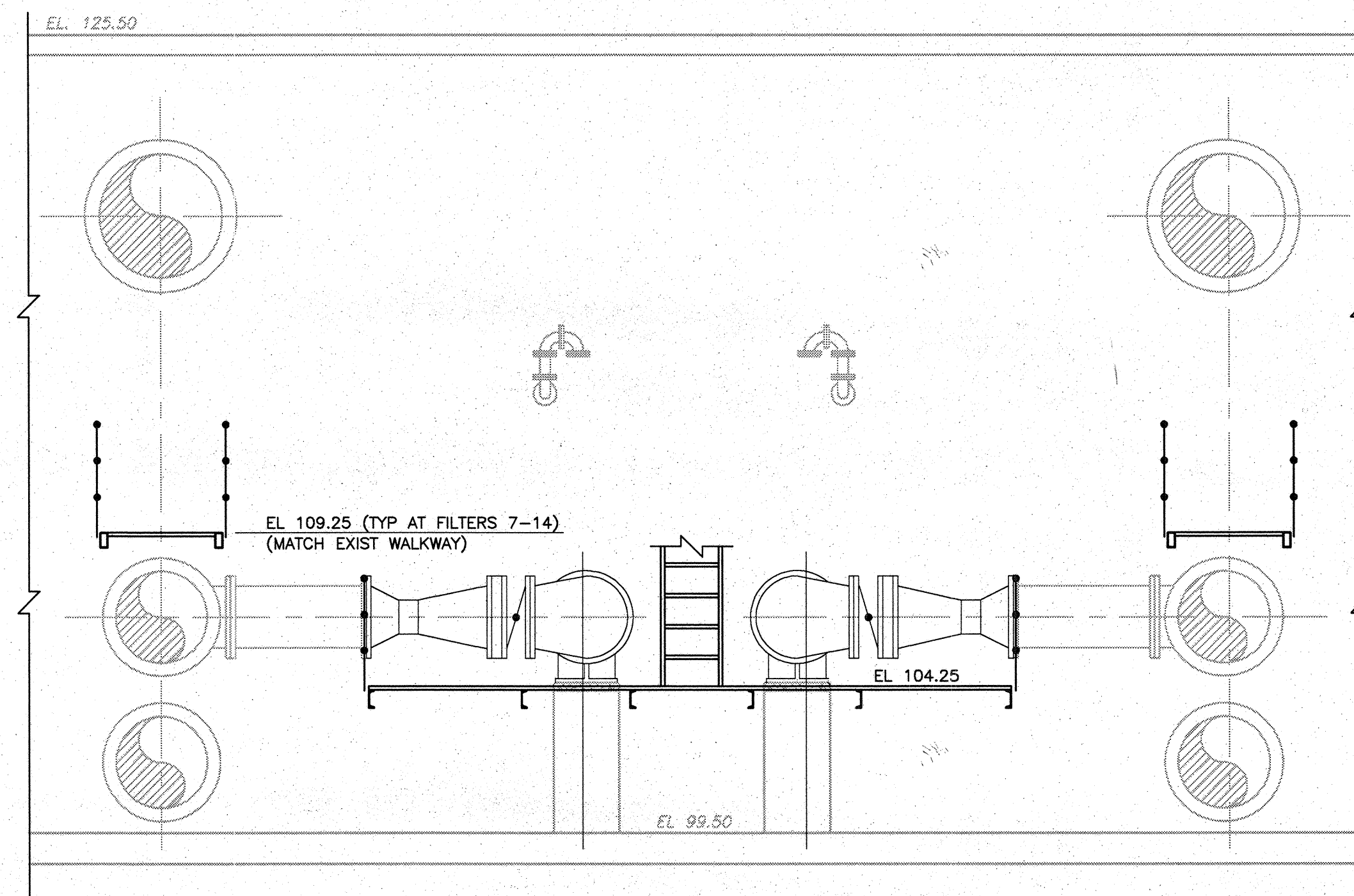


SECTION 1
1/4" = 1'-0" FS-3,4



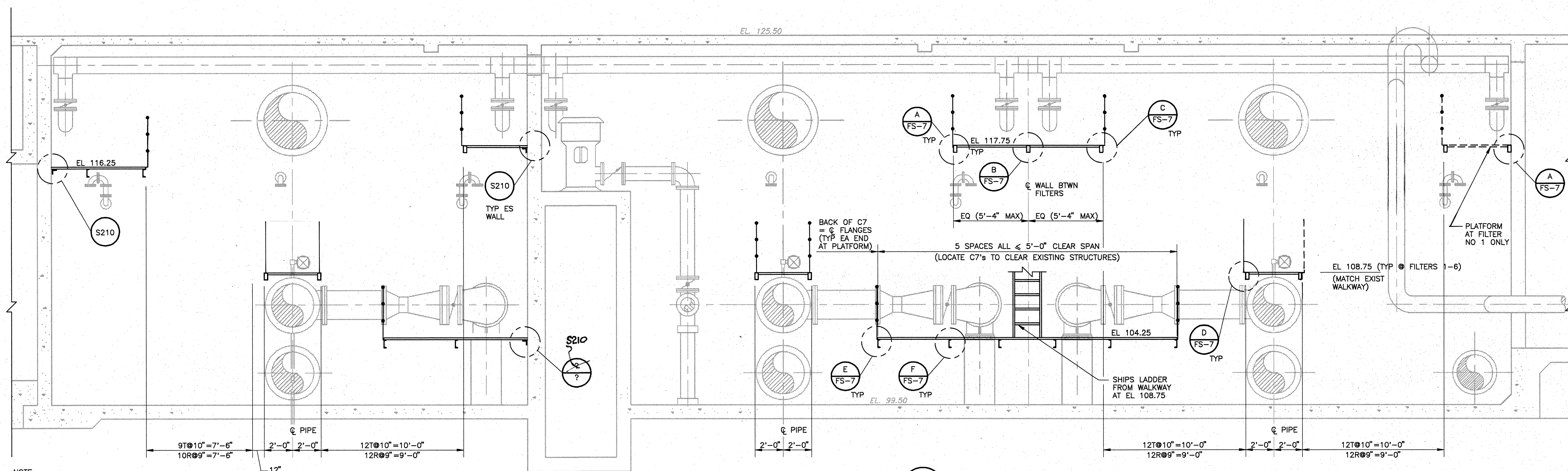
SECTION 2
1/4" = 1'-0" FS-3



SECTION 3
1/4" = 1'-0" FS-3

NOTES:
1. INSTALL NEW ALUM GUARDRAIL EACH SIDE ALONG EXISTING WALKWAY. SEE DETAIL S306.

NOTE:
STAIRS DELETED

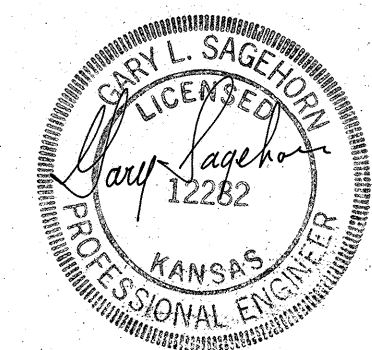


SECTION 4
1/4" = 1'-0" FS-3,4

NOTE:
1. DIMENSIONS AND ELEVATIONS OF ALL EXISTING STRUCTURES SHALL BE FIELD VERIFIED BY CONTRACTOR.

FOR REFERENCE ONLY

RECORD DRAWING



DESIGNED BY:	G. SAGEHORN
DRAWN BY:	T. VERWAY
SHEET CHK'D BY:	G. SAGEHORN
CROSS CHK'D BY:	G. SAGEHORN
APPROVED BY:	G. SAGEHORN
DATE:	OCTOBER 1992

CAMP DRESSER & MCKEE INC.
environmental engineers, scientists, planners, & management consultants
CDM

CITY OF WICHITA, KANSAS
WATER TREATMENT PLANT IMPROVEMENTS
PHASE IIB

FILTER PIPE GALLERY SECTIONS

PROJECT NO. 2395-118-DNF
SHEET NO. FS-5
SHEET 243 OF 293