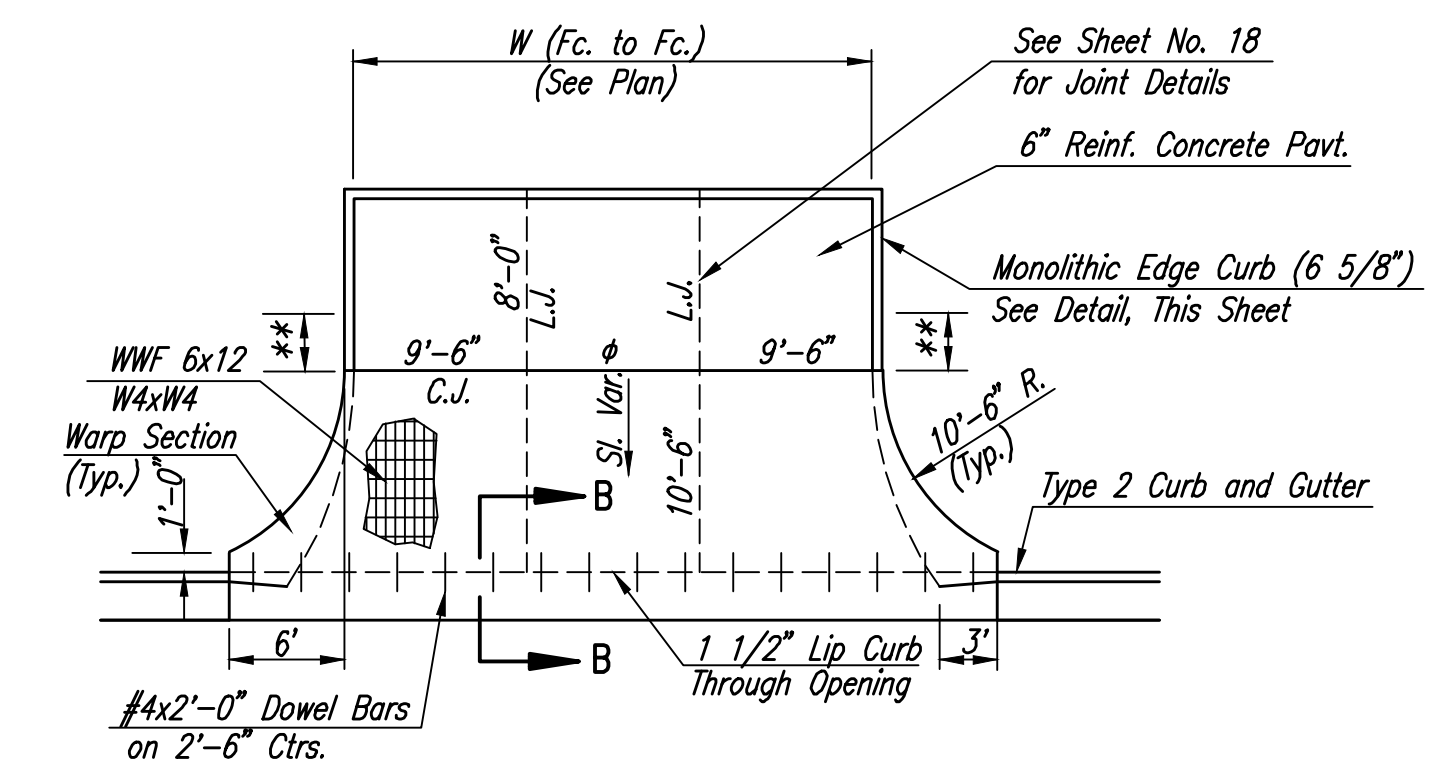
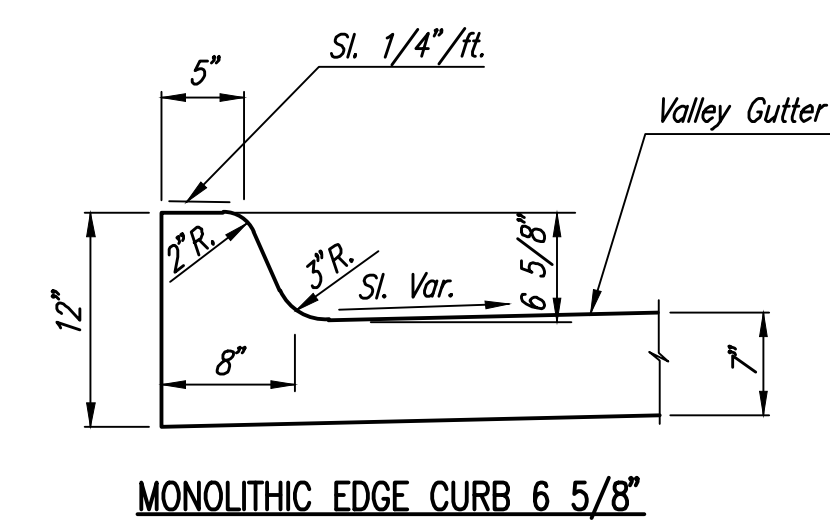
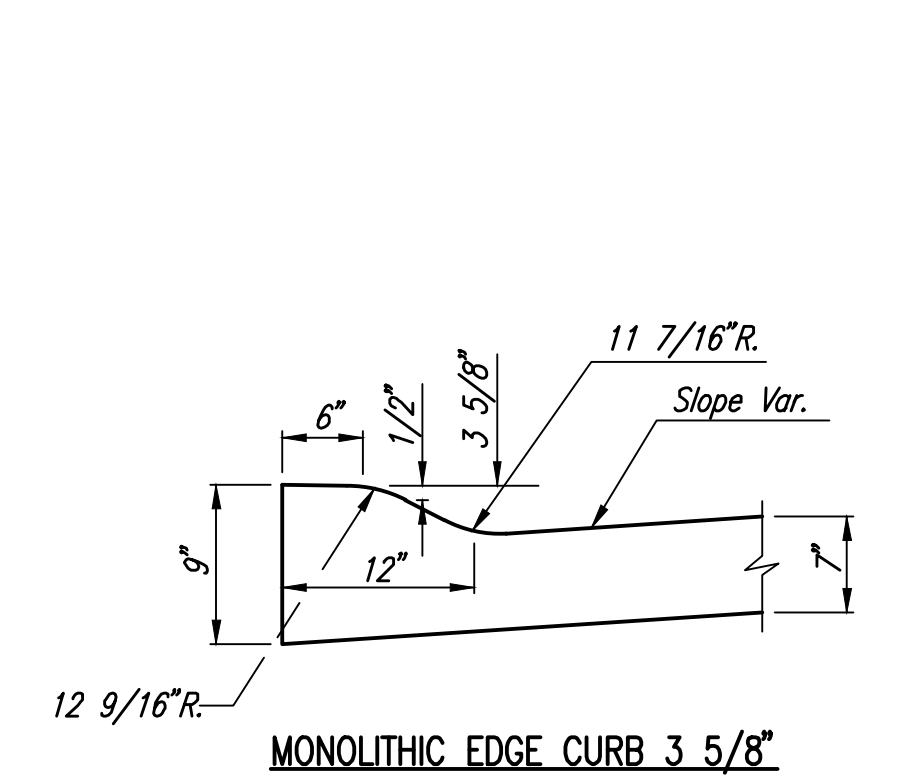
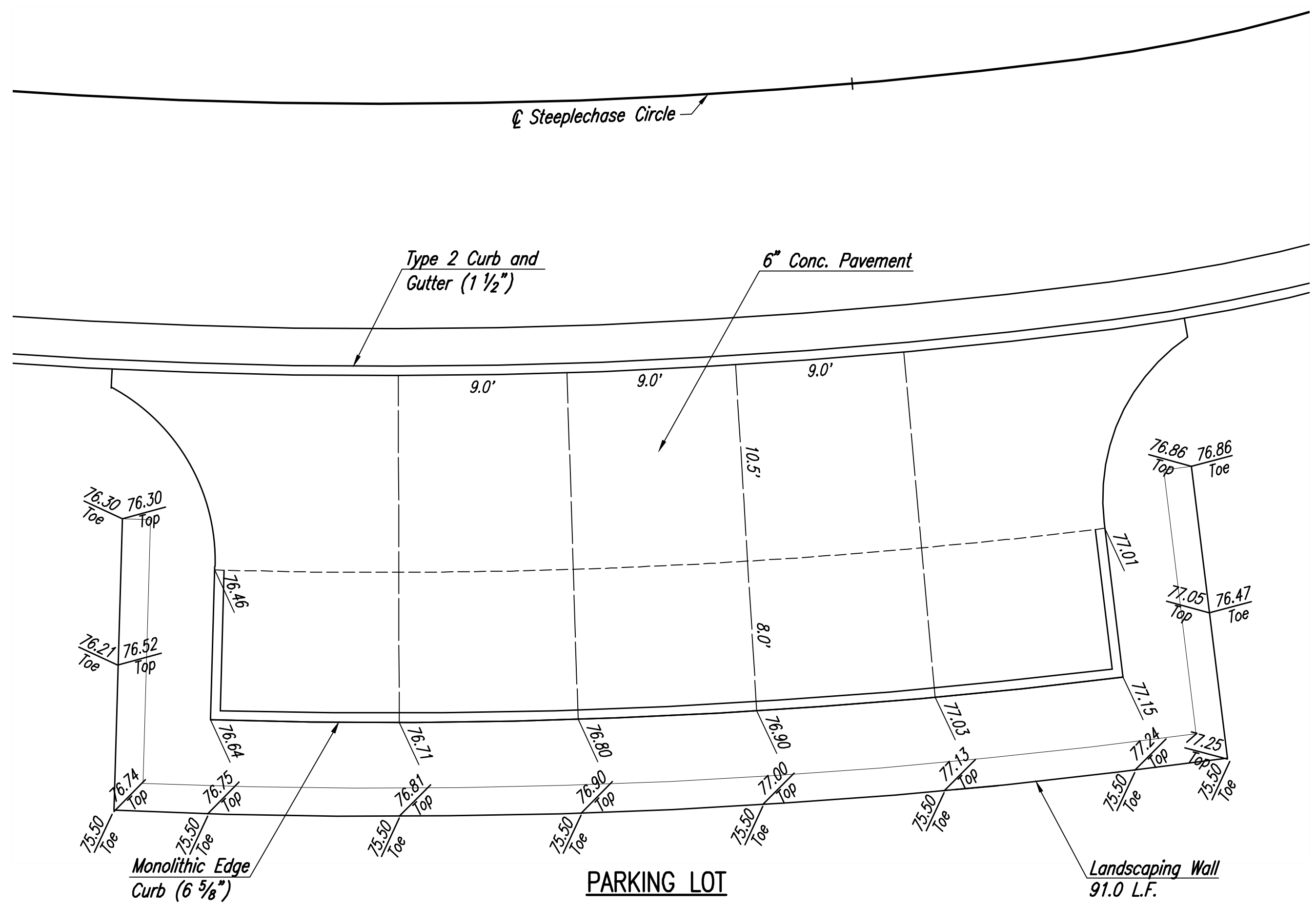
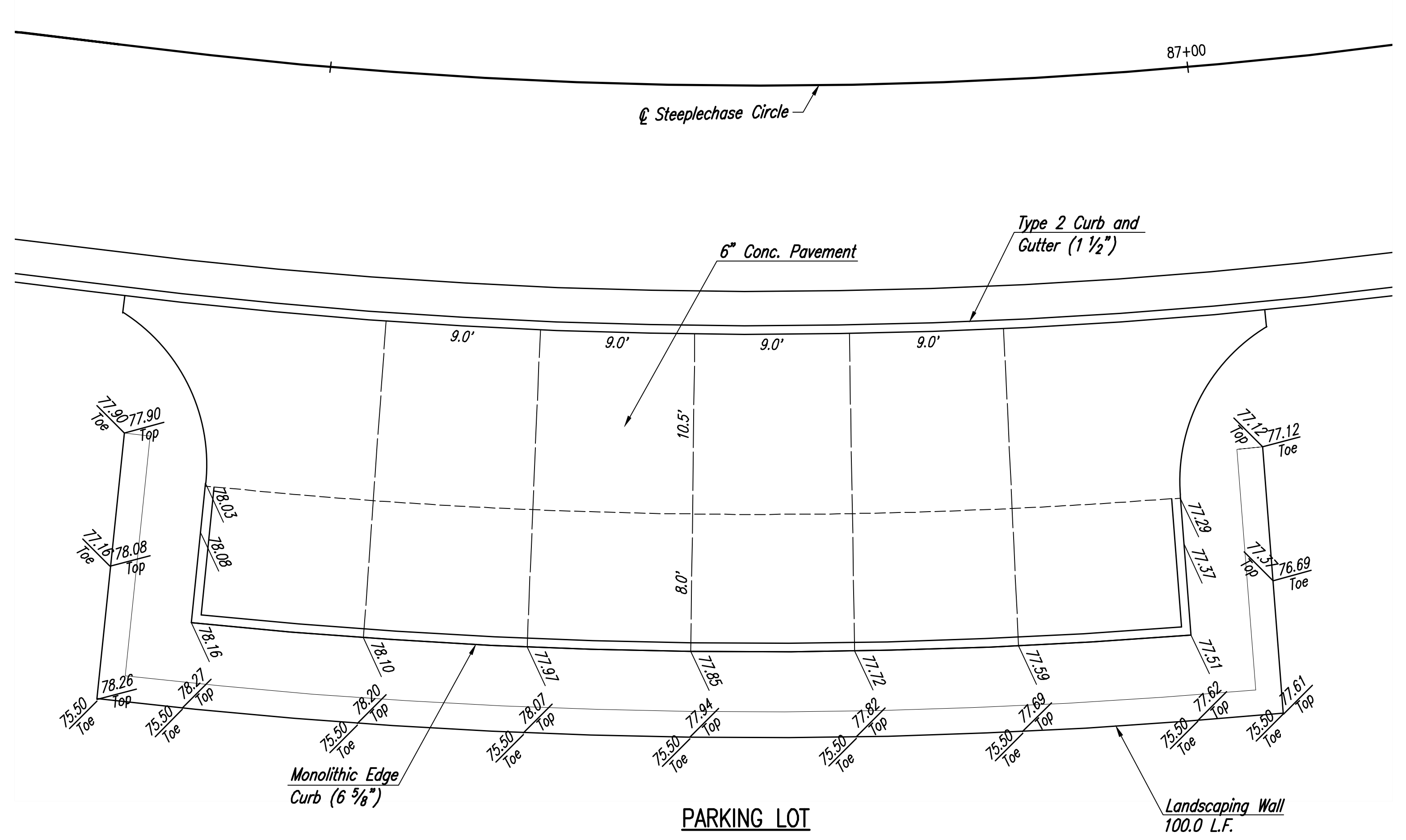
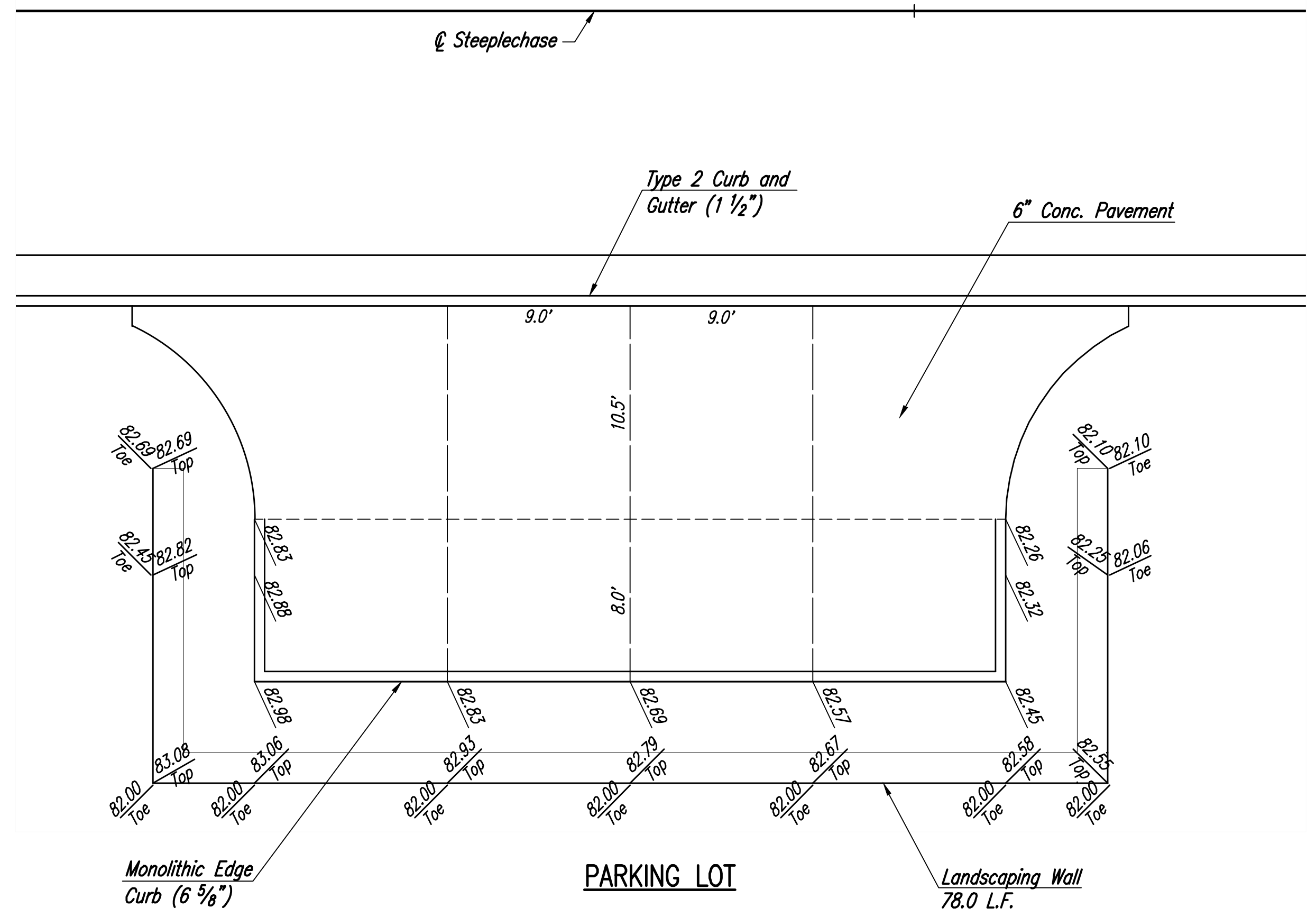


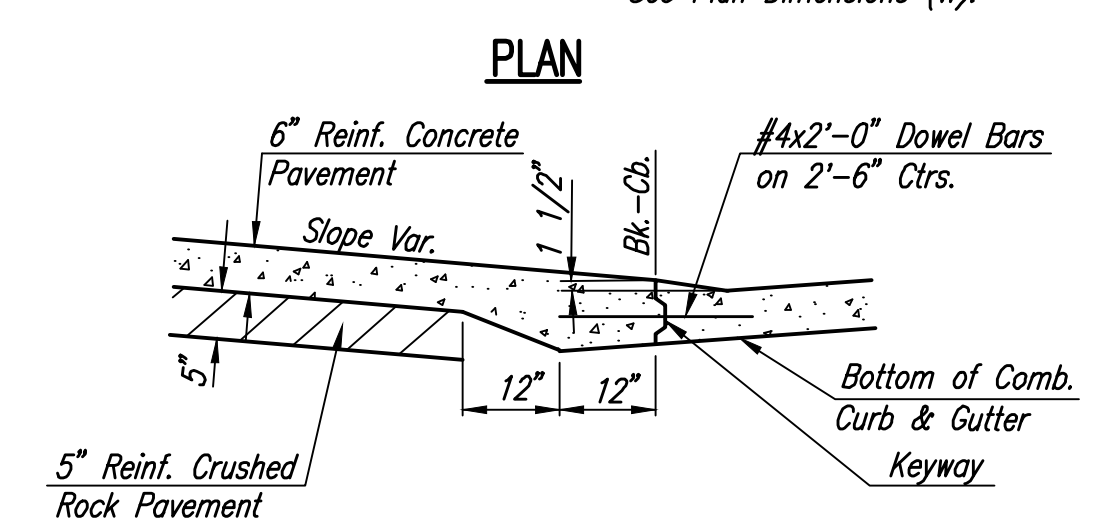
Issue:	
JOB NO.	170551
DATE	NOVEMBER, 2019
PM	BMM
DESIGNED BY	AKL
DRAWN BY	BJS, CP
CHECKED BY	BMM



6" x 12" W4xW4 WIRE FABRIC REINFORCING SHALL BE PLACED SUCH THAT THE WIRES WITH THE 6" SPACING WILL RUN PARALLEL WITH THE LONGITUDINAL JOINT.

** Taper Curb Height to 0" in 3 ft. (Typ. Both Side)

φ Additional Concrete Panels shall be 9'-0" Wide. Number of Additional Concrete Panels Varies, See Plan Dimensions (W).



Sheet 11 - 15-2019, 11-14-19, AM, CP
Plan Scale: 1" = 15'-0", 1200'x46' PM, by KURTIS DEKAT
U:\Wichita-Civil\2017\170551\Drawings\170551-000-16C-PARKING DETAILS