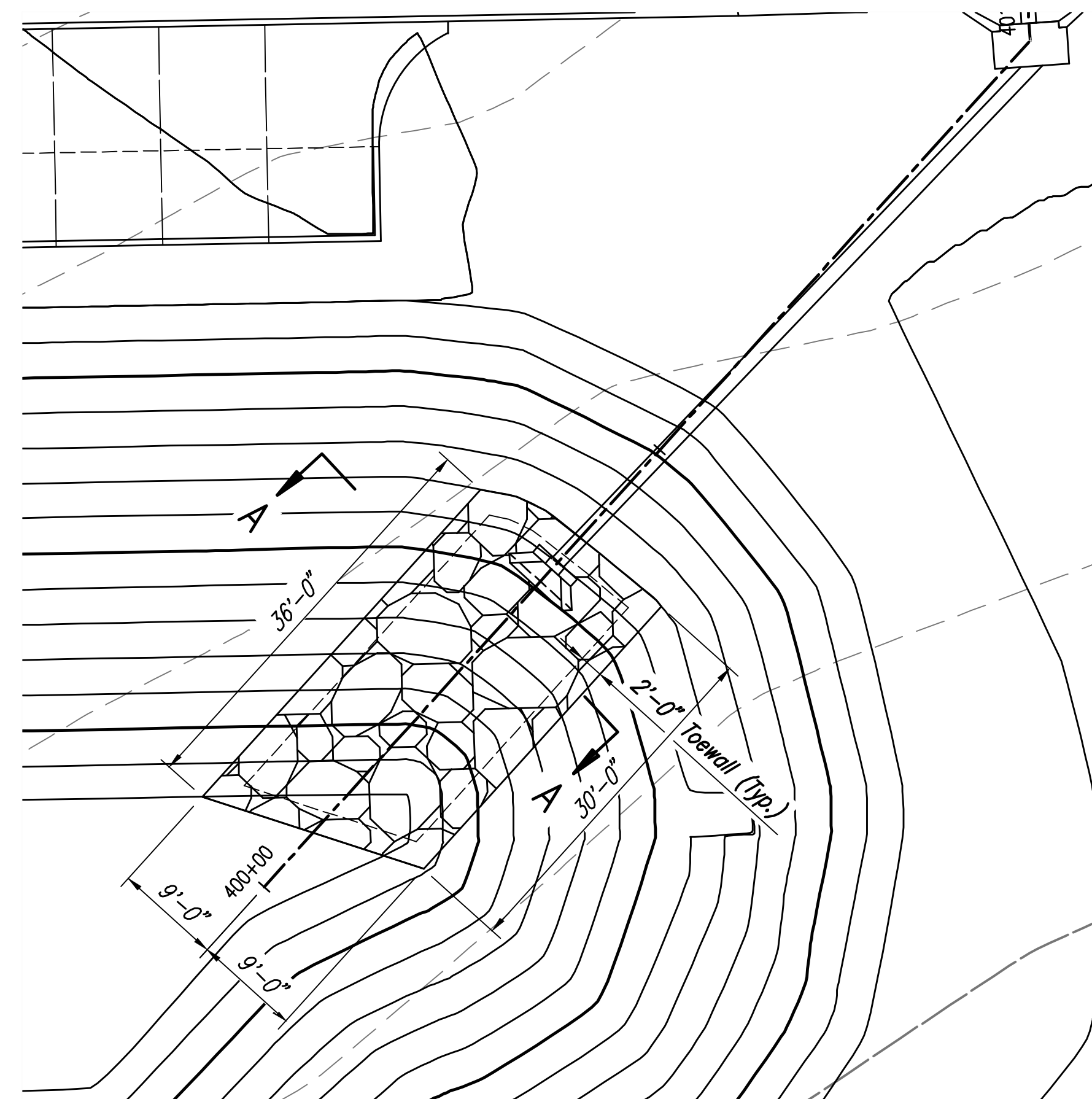
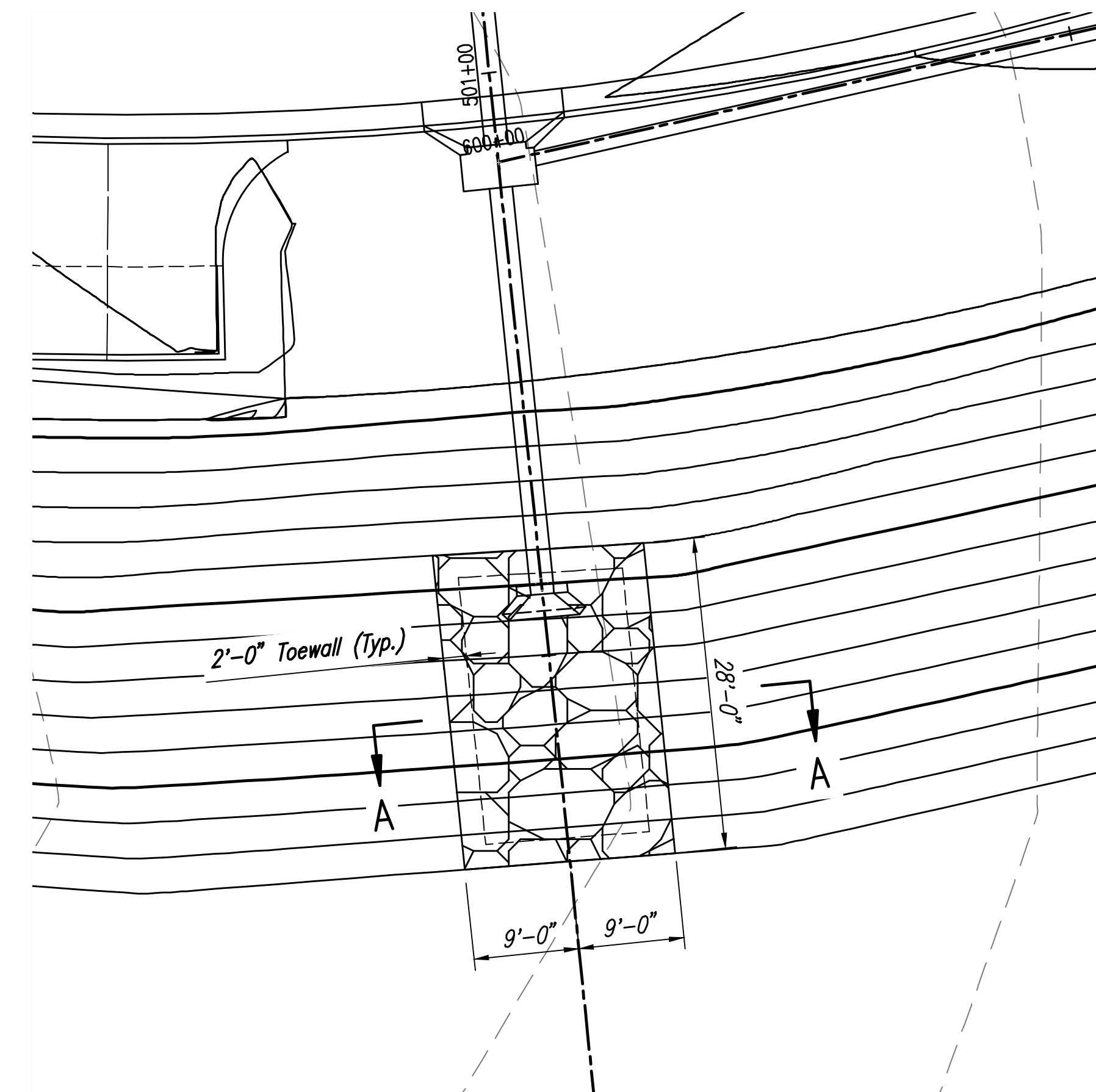


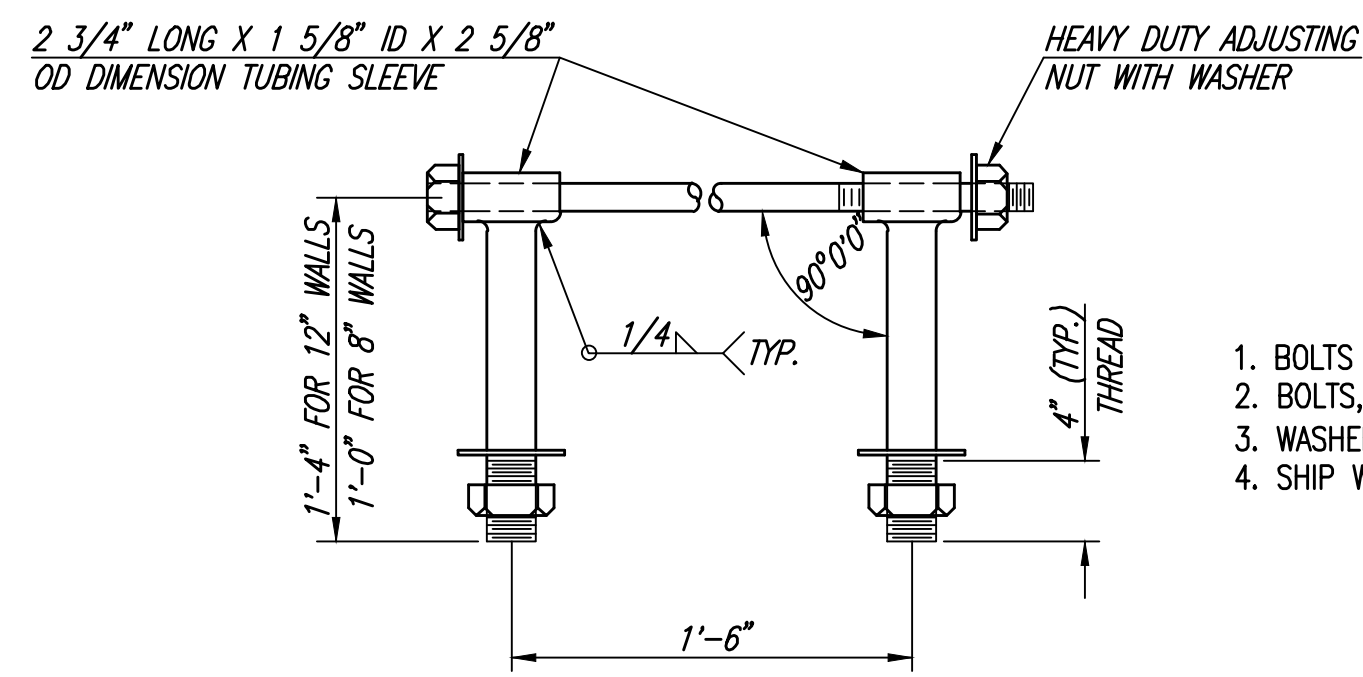
SWS LINE NO. 3



SWS LINE NO. 4



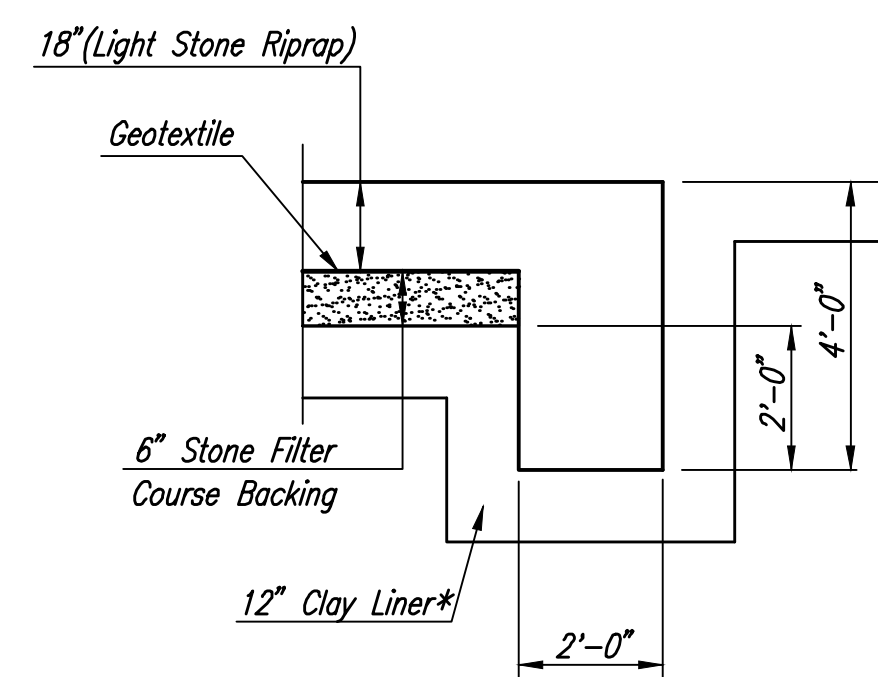
SWS LINE NO. 5



HEAVY DUTY (H.D.) COUPLER
NO SCALE

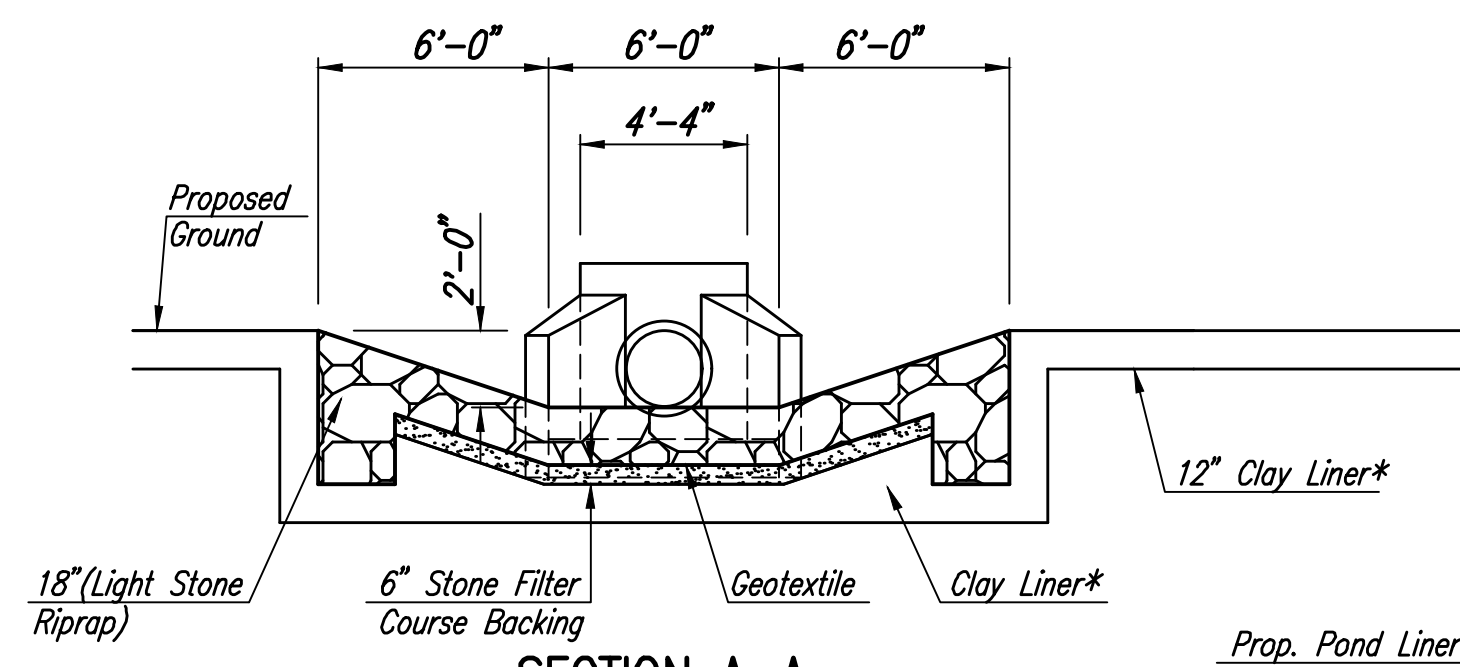
HEAVY DUTY COUPLER NOTES

1. BOLTS TO BE A-36 1 1/2" DIAMETER.
2. BOLTS, NUTS, WASHERS AND SLEEVES TO BE ZINC PLATED.
3. WASHERS TO BE 3 1/2" O.D. X 7 GAUGE.
4. SHIP WITH NUTS AND WASHERS PLACED ON BOLTS.



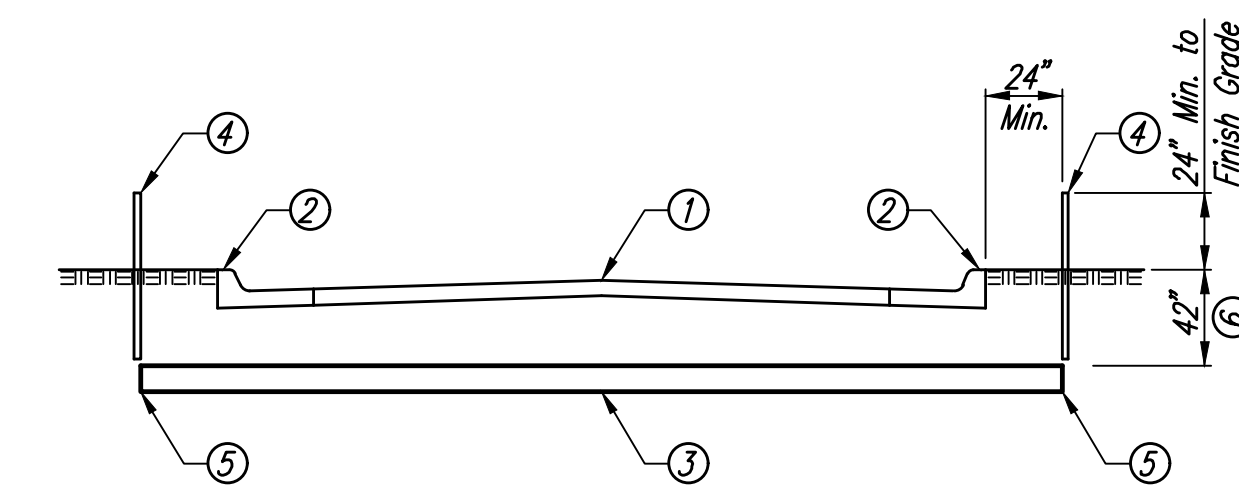
RIPRAP NOTES

1. ALL RIPRAP FOR THIS PROJECT SHALL BE NATURAL STONE. NEITHER BROKEN CONCRETE, FABRIC ENVELOPE, NOR PREMIXED DRY PACKAGED CONCRETE BAG ALTERNATES WILL BE ALLOWED.
2. TOEWALLS SHALL BE INSTALLED ALONG ALL EDGES OF STONE RIPRAP OR AS SHOWN ON PLANS.
3. GROUTING OF THE SURFACE OF THE RIPRAP SHALL NOT BE PERFORMED. GROUTING OF THE TOEWALLS SHALL BE PERFORMED PER SPECIFICATIONS.



SECTION A-A

* CLAY LINER SHALL MEET THE SAME REQUIREMENTS AS POND LINING.



CLASS SDR 21 SLEEVES

Payment for "4" PVC Sleeves" Shall be Per Linear Foot, and Shall Include Items 2 thru 5 Listed Below.

- ① Pavement/Street
- ② Permanent Mark on Top of Curb, Stamped in Wet Concrete—"x" or "s"
- ③ 4" Class SDR 21 Sleeve Extended 2' Past Back of Curbs. Sleeves Shall be Bedded and Backfilled in Accordance with City of Wichita Specifications for Flexible Sanitary/Storm Sewer Pipe.
- ④ Temporary T-Post Marker, Until Permanent Benchmark is Made in Concrete (2 Total)
- ⑤ 4" PVC Caps—Not Glued (2 Total)
- ⑥ Adjust Depth Where Necessary to Avoid Other Utilities.

Issue:	
JOB NO.	170551
DATE	NOVEMBER, 2019
PM	BMM
DESIGNED BY	AKL
DRAWN BY	BJS, CP
CHECKED BY	BMM
MISCELLANEOUS RIPRAP DETAILS	