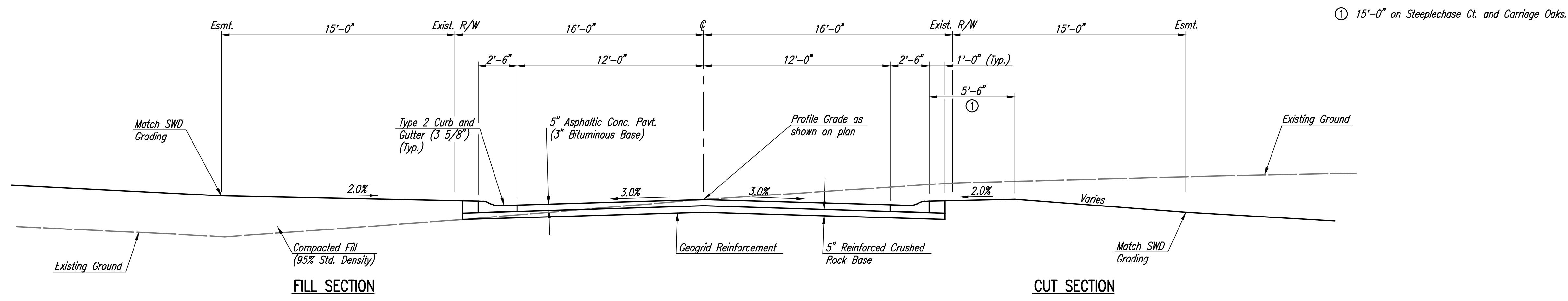
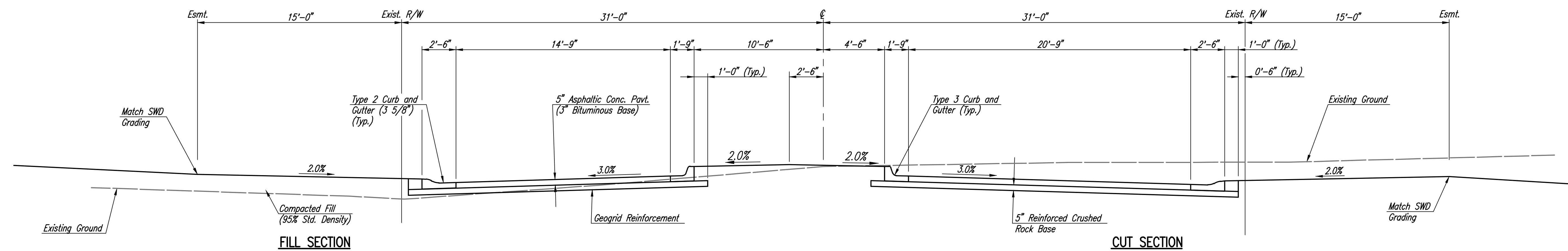


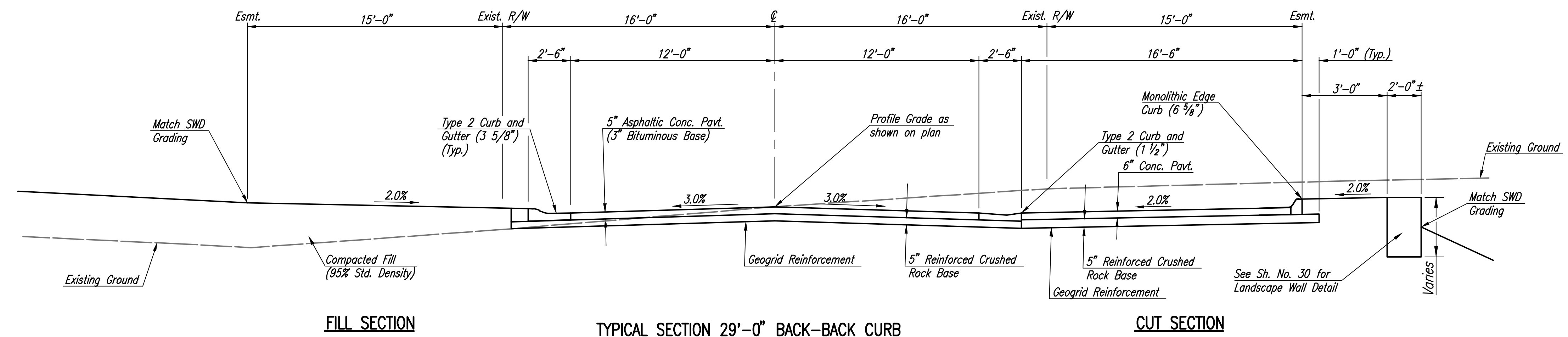
Sheet 11 of 14 - 2019 4:27:59 PM by CP
 Plot Scale: 1/8" = 1'-0" 11/15/2019 7:28:48 PM by KLUBITS, DEKAT
 U:\Wichita-Civil\2017\170551\Drawings\000-Main-Trans\Drawings\170551-000-04C-TYPICAL SECTIONS



TYPICAL SECTION 29'-0" BACK-BACK CURB
 Steeplechase - Sta. 79+05.00 to Sta. 85+74.74
 Steeplechase Cir. - Sta. 85+74.74 to Sta. 88+91.00
 Steeplechase Ct. - Sta. 105+32.34 to Sta. 107+23.95
 Carriage Oaks - Sta. 100+35.29 to Sta. 100+60.07

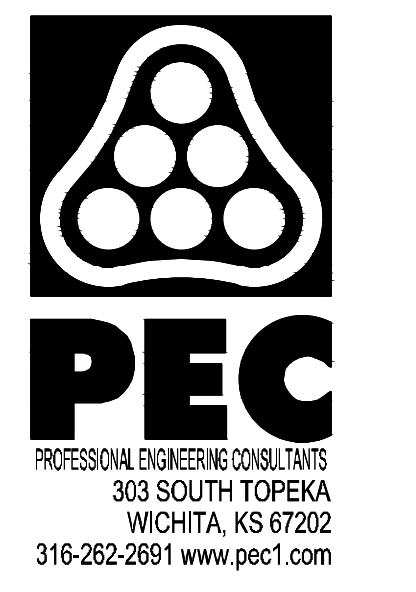


TYPICAL SECTION 59'-0" BACK-BACK CURB
 Carriage Oaks - Sta. 102+29.71 to Sta. 103+39.22



TYPICAL SECTION 29'-0" BACK-BACK CURB
 Steeplechase - Sta. 82+13.37 to Sta. 82+58.63
 Steeplechase Cir. - Sta. 88+41.45 to Sta. 87+01.41
 Steeplechase Cir. - Sta. 88+12.88 to Sta. 88+63.89

① 15'-0" on Steeplechase Ct. and Carriage Oaks.



PAVING INCIDENTAL DRAINAGE IMPROVEMENTS THE VILLAS AT OAK CREEK PHASE 1
 GARY JANZEN, P.E. - CITY ENGINEER
 CITY OF WICHITA PROJECT NO. 472-2019-085583

Issue:	
JOB NO.	170551
DATE	NOVEMBER, 2019
PM	BMM
DESIGNED BY	AKL
DRAWN BY	BJS, CP
CHECKED BY	BMM