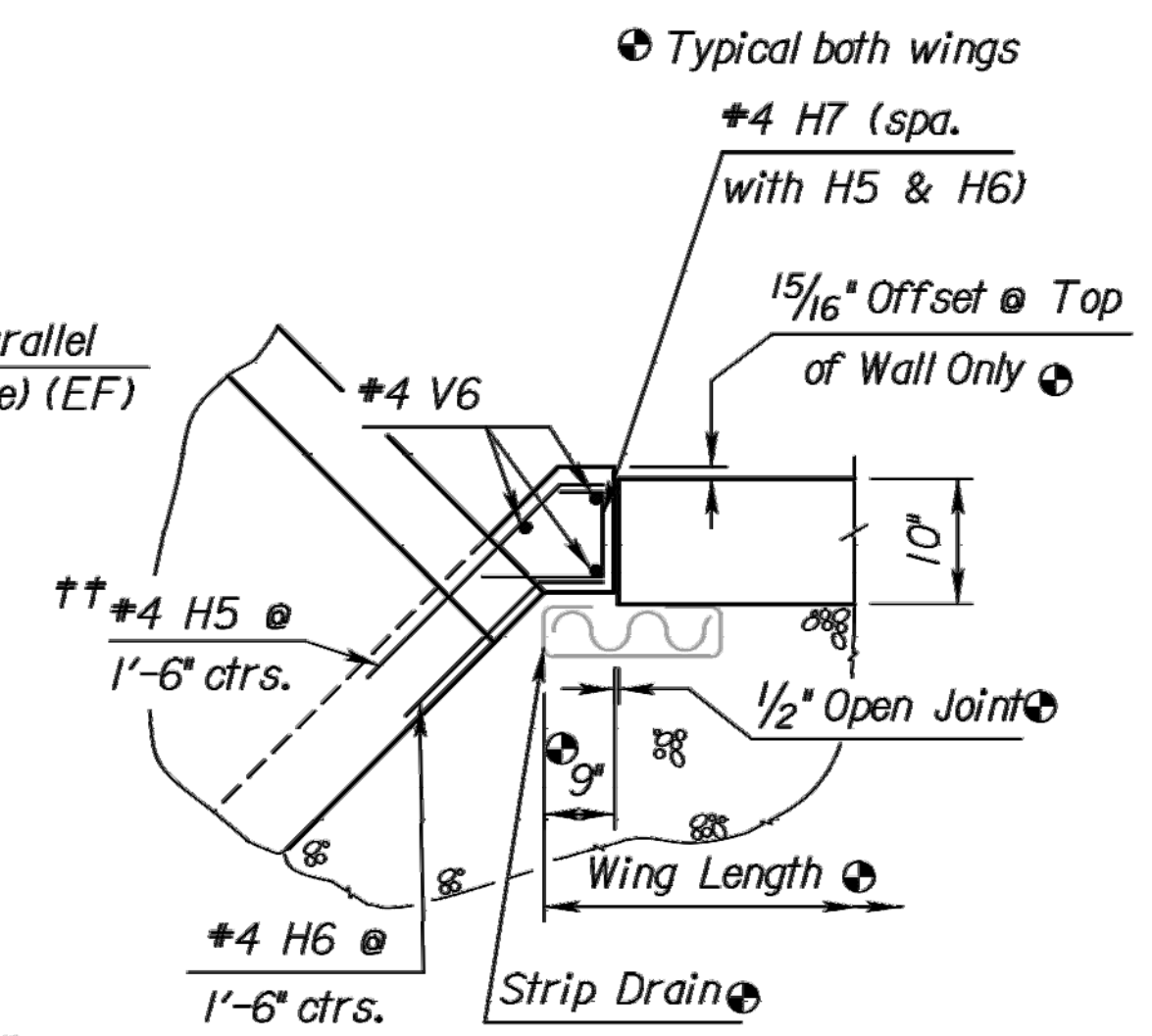
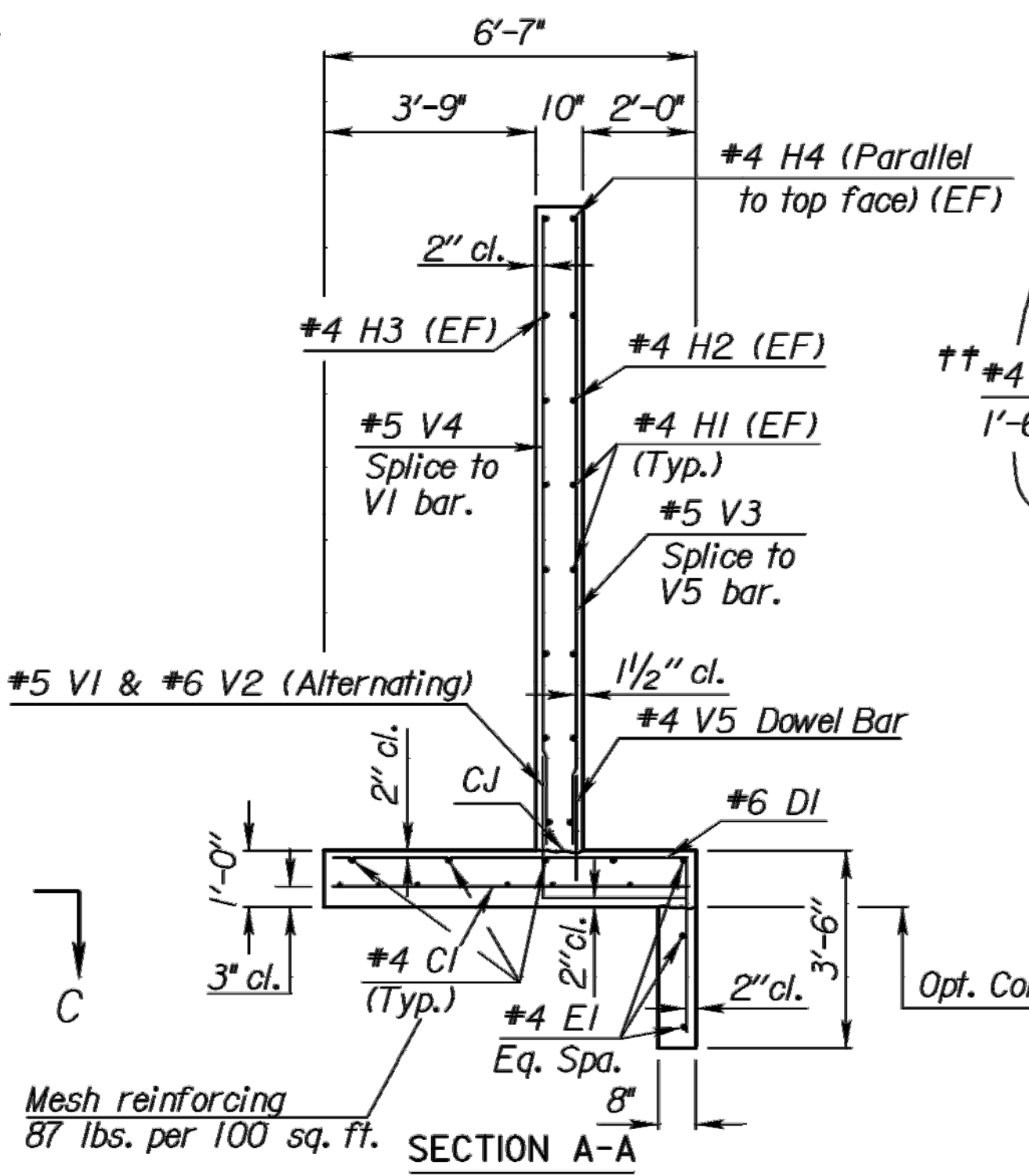
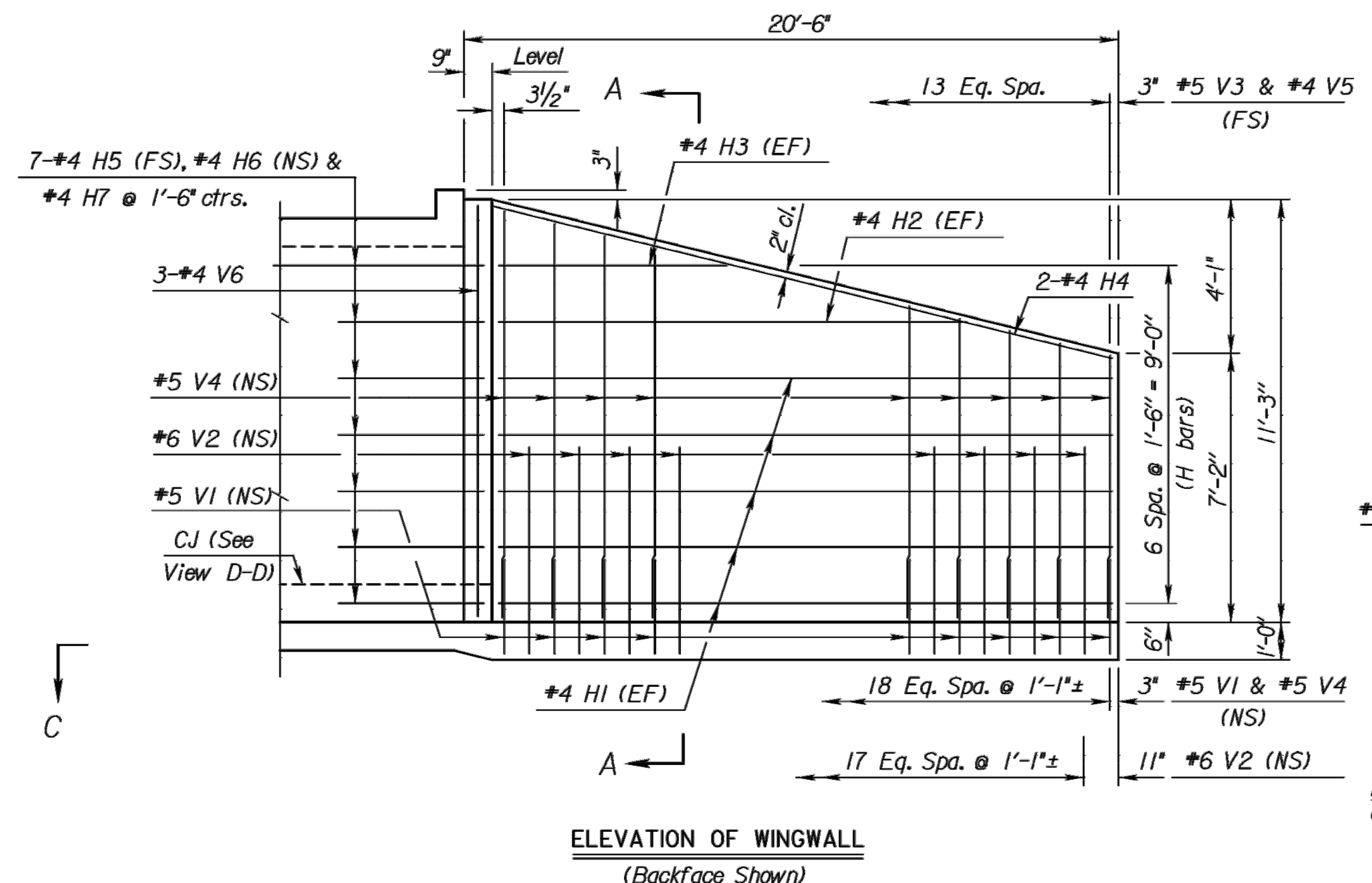


STATE	PROJECT NO.	YEAR	SHEET NO.	TOTAL SHEETS
KANSAS	87 TE-0451-01	2018	59A	222

GENERAL NOTES

DESIGN SPECIFICATION: AASHTO LRFD Spec., 2007 Ed., 2009 Int.
 DESIGN LOADING: HL93
 UNIT STRESSES: Grade 4.0 Concrete; f'c = 4,000 p.s.i.
 Reinforcing Steel; fy = 60,000 p.s.i.
 CONCRETE: Grade 4.0 Concrete shall be used throughout. Bevel all exposed edges with a 3/4" triangular mauling.
 REINFORCING: All reinforcing shall conform to ASTM A615, Grade 60. Welded Wire Fabric shall conform to ASTM A185. All dimensions relative to reinforcing steel shall be to centerline of bar unless otherwise noted. Wire Reinforcing mesh shall be electrically welded and shall be composed of 6 x 6 - W6 x W6 welded wire fabric and shall be classified as pounds of reinforcing and included in the total quantity for the bid item Reinforcing Steel (Gr. 60)
 QUANTITIES: Wingwall Quantities include all quantities outside the neat lines of the box, excluding the hubguard.
 APRON: A 5' concrete slab shall be constructed between the downstream wings in locations subject to scour only when specified on the plans or by the Engineer.
 BACKFILL MATERIAL: Use Granular Backfill material meeting the requirements of SB-1, SB-2, SCA-1, SCA-2.
 FILTER FABRIC: Separate in-situ material from granular backfill with approved filter fabric complying with Section 1710. Filter Fabric is subsidiary to "Granular Backfill".
 FOUNDATION STABILIZATION: Use Foundation Stabilization on all wingwalls unless founded on rock or granular material.

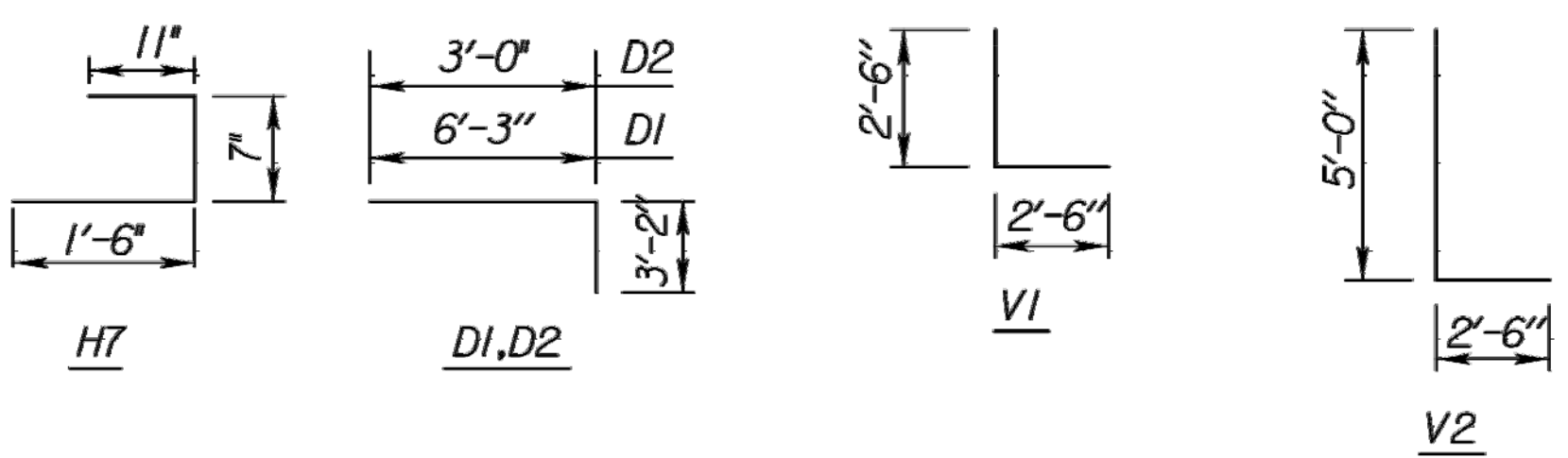
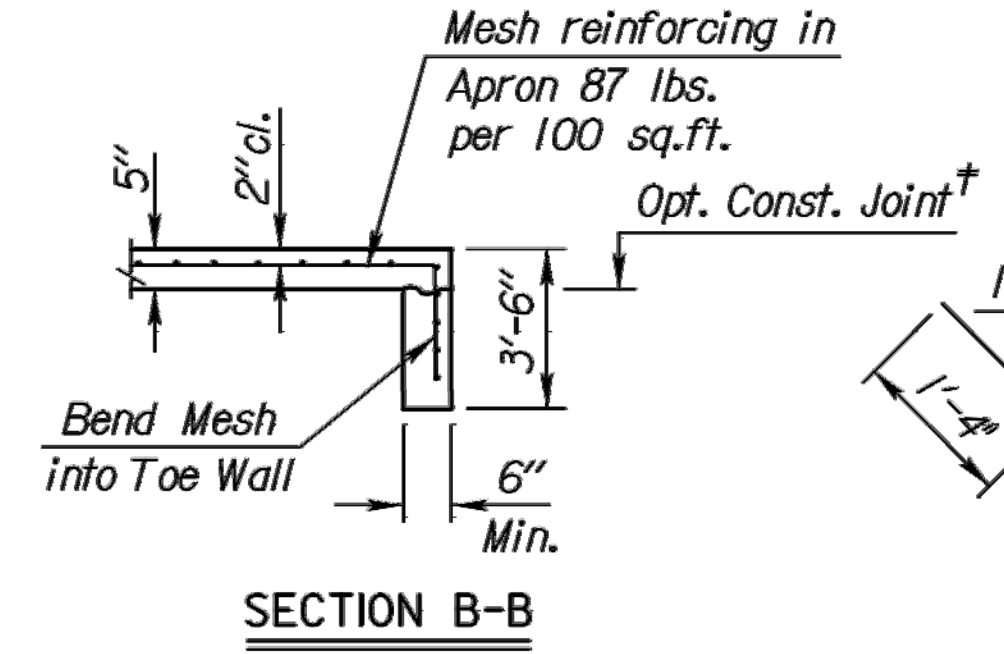


† NOTE: Const. Jt. may be used at Contractor's option when approved by the Engineer. DI bars or mesh may be spliced thus: Minimum overlap shall be 1'-3". No increase in quantities or cost shall be allowed when Contractor elects this option.

See "RCB Aux. Details" sheet for additional requirements.

NOTE:
 EF = Each Face
 NS = Near Side
 FS = Far Side
 CJ = Const. Joint

V4	Var. 6'-10" to 10'-10"	2 Req'd., each length by equal increments (25/8"±)
V3	Var. 6'-10" to 10'-10"	2 Req'd., each length by equal increments (33/4"±)



Quantities listed below are included in the Summary of Quantities shown on the RCB details.

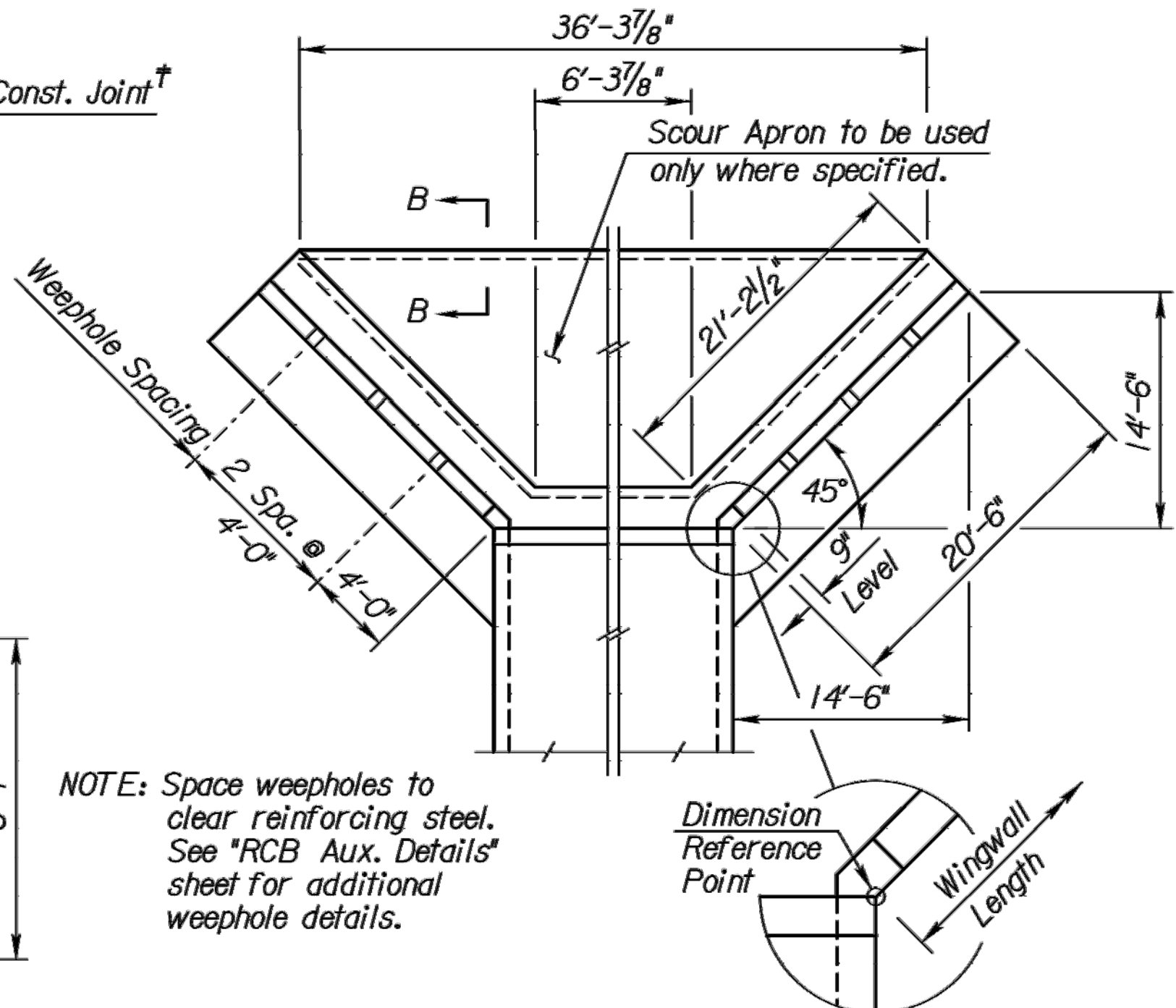
WINGWALL QUANTITIES (One End Only)		
	Foundation Stabilization	Concrete (Gr. 4.0)
Wingwalls	6.62 (C.Y.)	25.77 (C.Y.)
Apron	0.00 (C.Y.)	0.00 (C.Y.)
Soil Saver	0.00 (C.Y.)	0.00 (C.Y.)
Reinforcing Steel (Gr. 60)		2476 Lbs.
Welded Wire Fabric (Wings)		235 Lbs.
Welded Wire Fabric (Apron)		0 Lbs.
Granular Backfill (Wingwalls)		89.00 C.Y.
Filter Fabric (subsidiary)		68.00 S.Y.

BENDING DIAGRAM
(All dimensions are out to out of bars.)
 †† Bend in Field

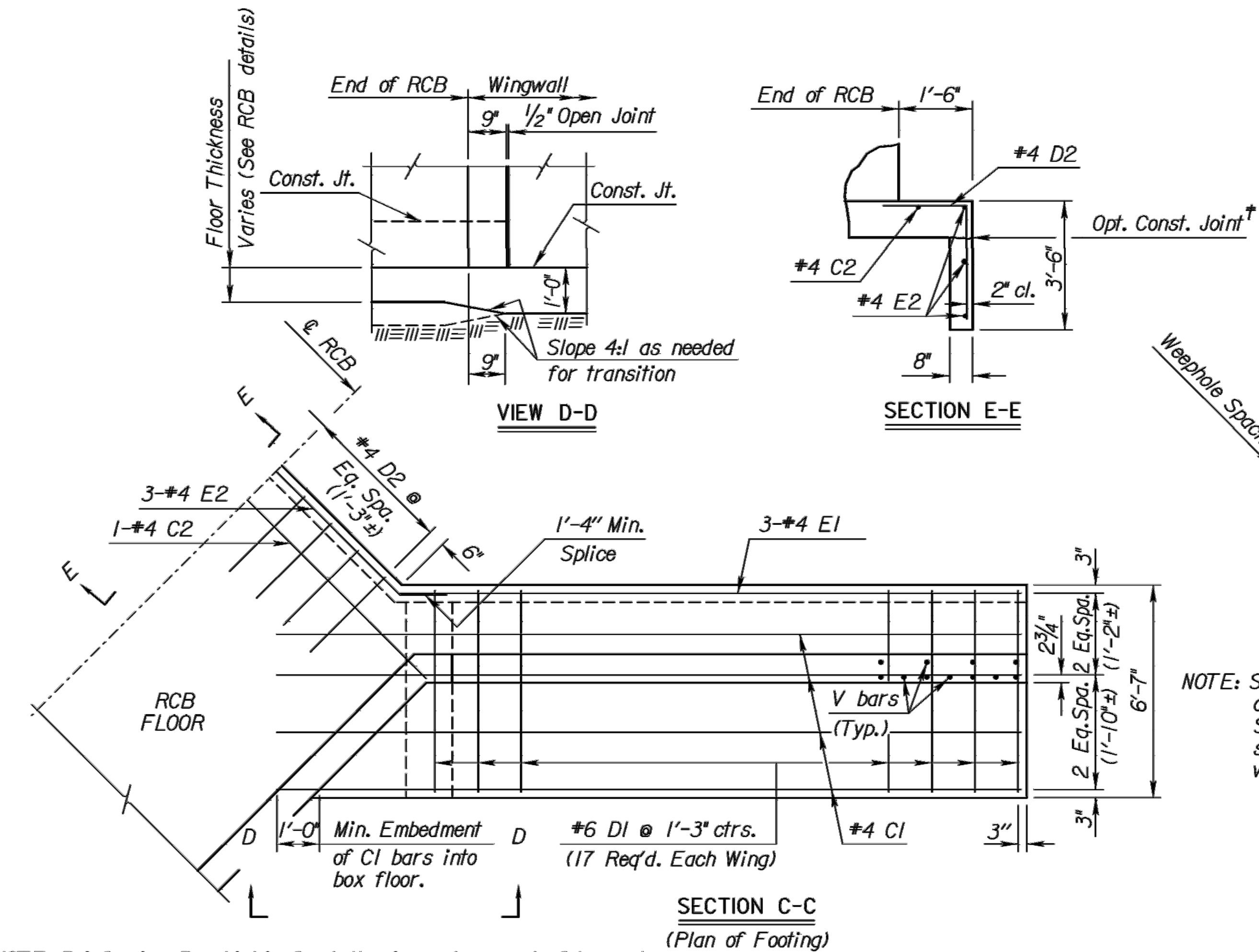
NO.	DATE	REVISIONS	BY	APP'D

KANSAS DEPARTMENT OF TRANSPORTATION
 Serial No.(000) Sta. 223+66.00
FLARED WINGWALLS
 10 ft Rise (0*SKEW)

BR 10.00.10 Sedgwick Co.
 Terry L. Fleck



NOTE: Space weepholes to clear reinforcing steel. See "RCB Aux. Details" sheet for additional weephole details.



NOTE: Reinforcing Bar List is for both wings at one end of box only.

0° Skew	Mark	* See Bending Diagram																		
		#4C1	#6DI	#4E1	#4C2	#4D2	#4E2	#5V1	#6V2	#5V3	#5V4	#4V5	#4H1	#4H2	#4H3	#4H4	#4H5	#4H6	#4H7	#4V6
	Number	8	34*	6	1	5*	3*	38*	36*	28	38	28	20	4	4	4	14*	14*	14*	6
	Length	24'-10"	9'-5"	21'-0"	11'-0"	6'-2"	9'-3"	5'-0"	7'-6"	*	*	2'-2"	19'-4"	14'-9"	7'-6"	19'-9"	1'-10"	2'-1"	3'-0"	11'-0"

Plotted By: Judith
 File: 2018-9-6-472-85360_1-10x10.dgn
 Plot Date: 07-SEP-2018 13:32