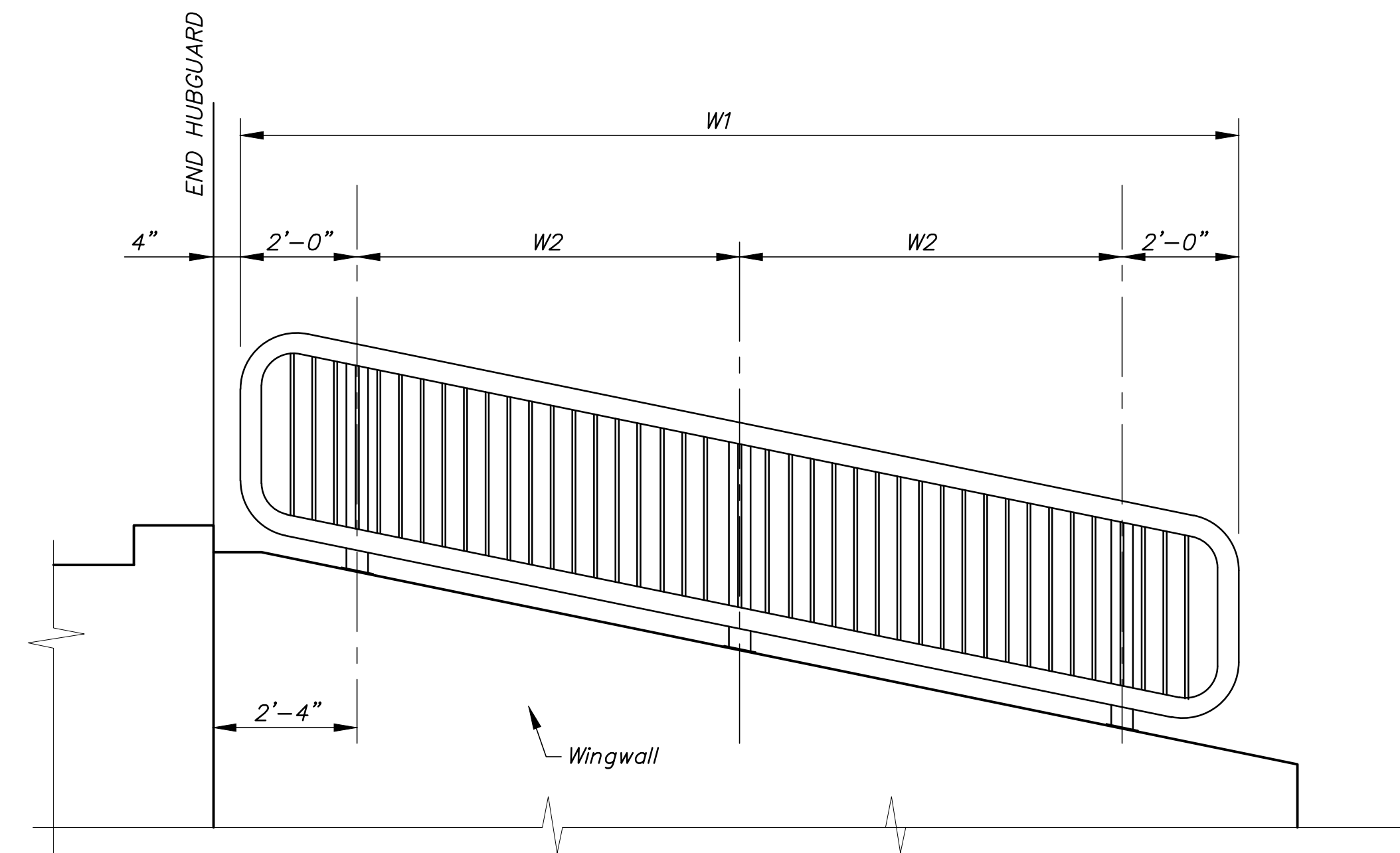
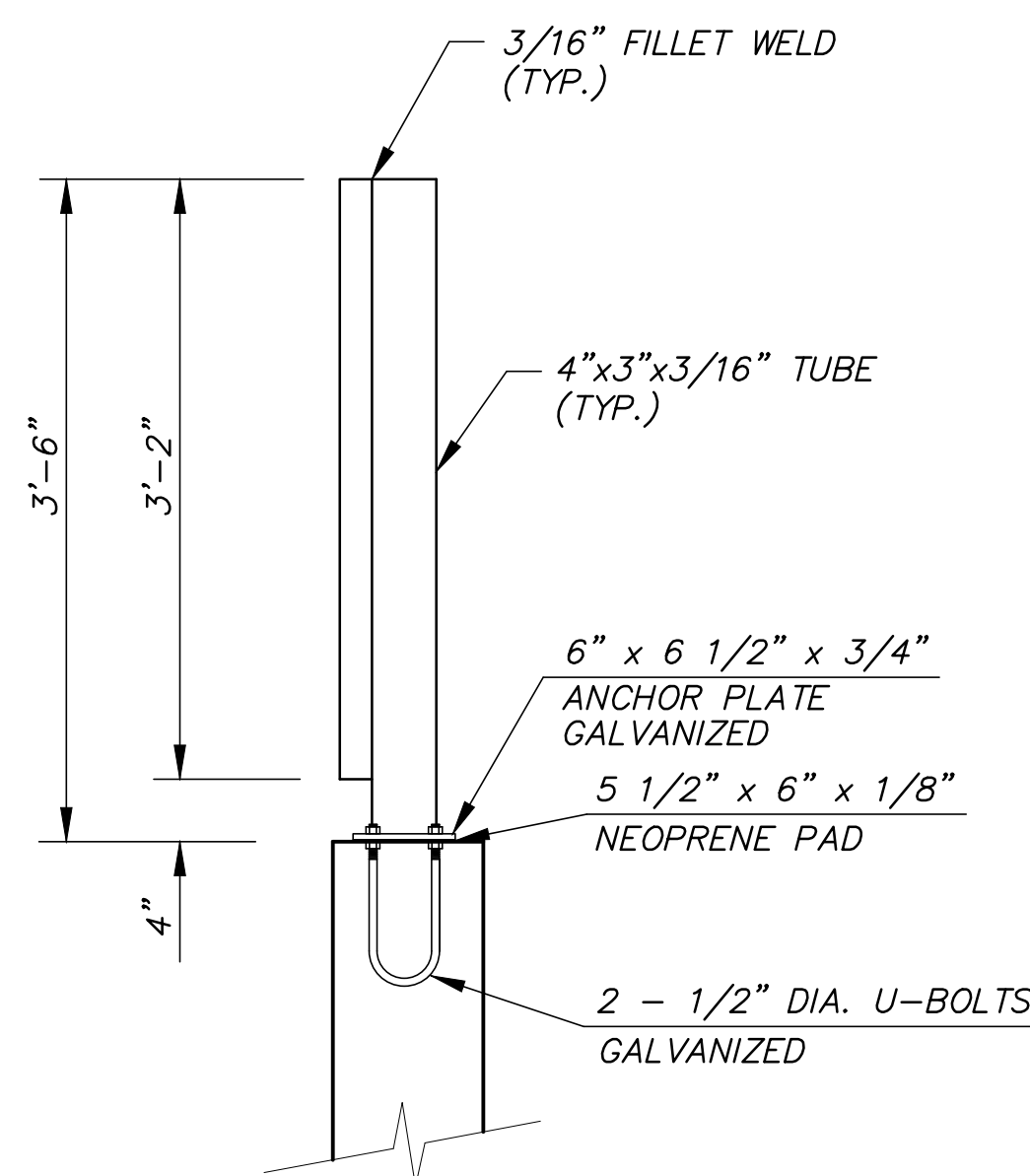


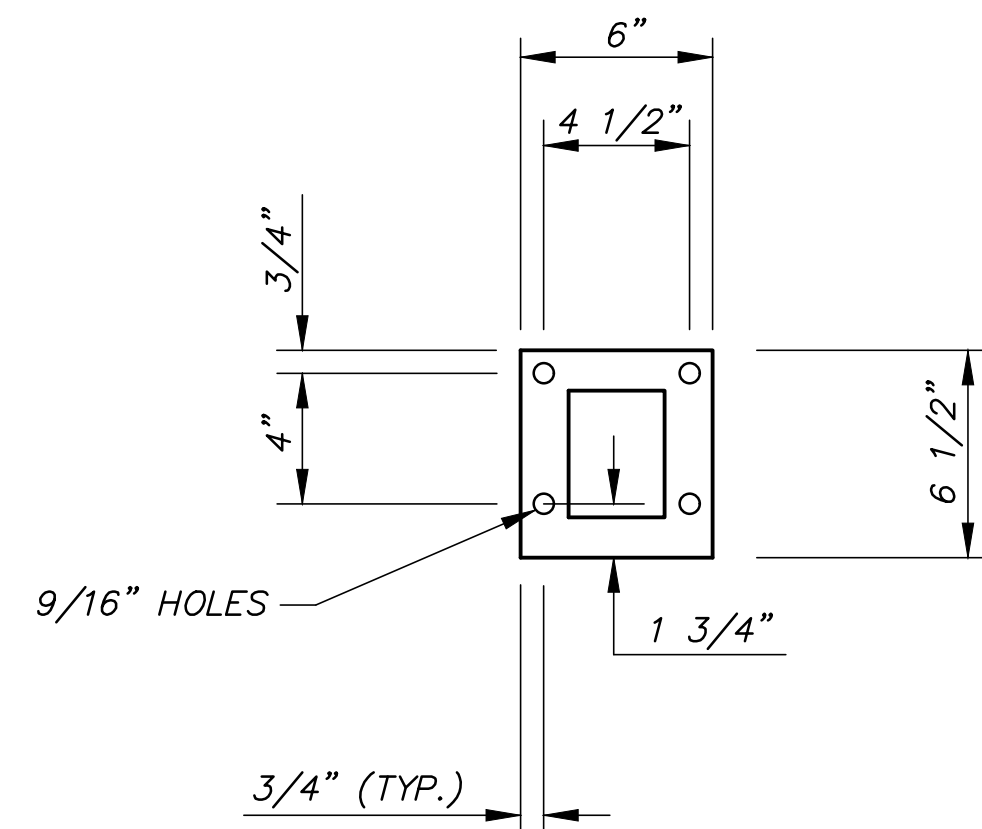
ELEVATION OF HANDRAIL ON HUBGUARD



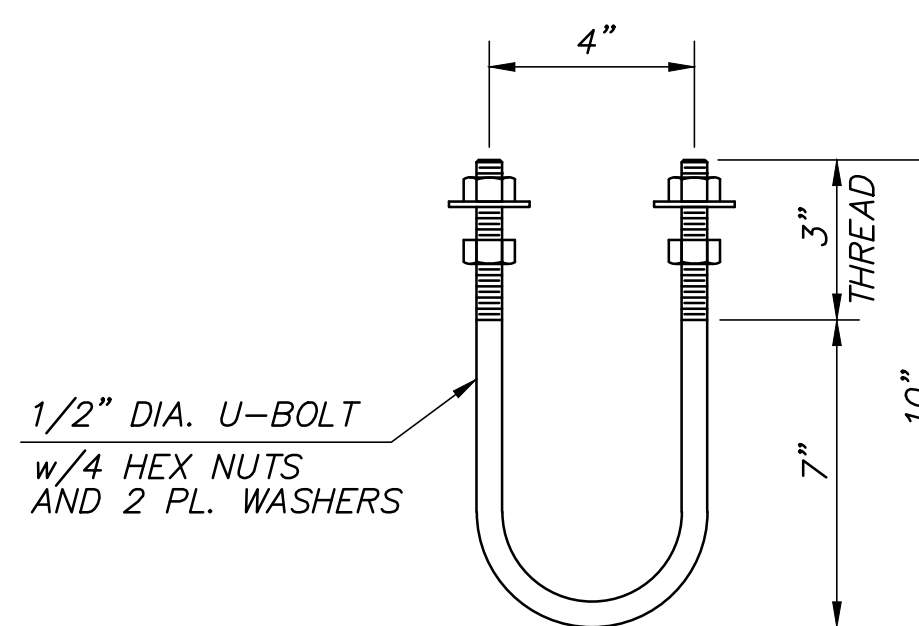
WINGWALL ELEVATION



VIEW A-A



**SECTION B-B
TYPICAL BASE PLATE**



U-BOLT DETAIL

STATION	STRUCTURE SIZE	HUBGUARD RAIL LENGTH			WINGWALL RAIL LENGTH			QUANTITY (L)
		LENGTH	(H1)	(H2)	LENGTH	(W1)	(W2)	
115+47.28	12'x6'x24'	13'-4"	13'-0"	9'-0"	13'-0"	12'-6"	8'-6"	38
194+98.78	10'x6'x23'	11'-4"	11'-0"	7'-0"	13'-0"	12'-6"	8'-6"	36
233+66.00	10'x10'x23'	11'-4"	11'-0"	7'-0"	20'-0"	20'-0"	8'-0"	51

Summary of Quantities		
ITEM	QUANTITY	UNIT
Handrail (Steel)	125.0	LF

Notes

All structural steel tubing shall comply to A.S.T.M. designation A36 or A500 Grade B respectively unless otherwise noted.

All Handrail materials, equipment and construction shall comply with Section 721 of KDOT Standard Specifications.

Handrail shall be galvanized and powder-coated black. Maximum 4" clear opening between pickets.

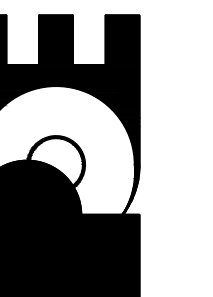
All materials, construction and incidentals shall be paid for per Linear Foot under "Handrail (Steel)".

Base plates shall not be placed upon areas that are improperly finished, deformed, or irregular. Base plates and bolts shall be painted with black powder coat paint to match the fence components, costs to be included in linear foot of "Handrail (Steel)".

No.	Date	By	Approved	Revision

REDBUD BIKE PATH
K-86 TO 198TH STREET EAST
HANDRAIL DETAIL
CITY OF WICHITA, KANSAS
GARY JANZEN, P.E. - CITY ENGINEER
C.O.W. Project #472-85360, O.C.A. #707125

POE & ASSOCIATES, INC.
CONSULTING ENGINEERS
544 West Douglas Avenue
Wichita, KS 67203
Phone 316/685-4114 FAX 316/685-4444



FINAL
Engineer: T. EVANS
Designer: J. UNRUH
Dwg: P: 102127 Redbud Wichita HANDRAIL
Poe Job No: 102127
Date: APRIL 2018