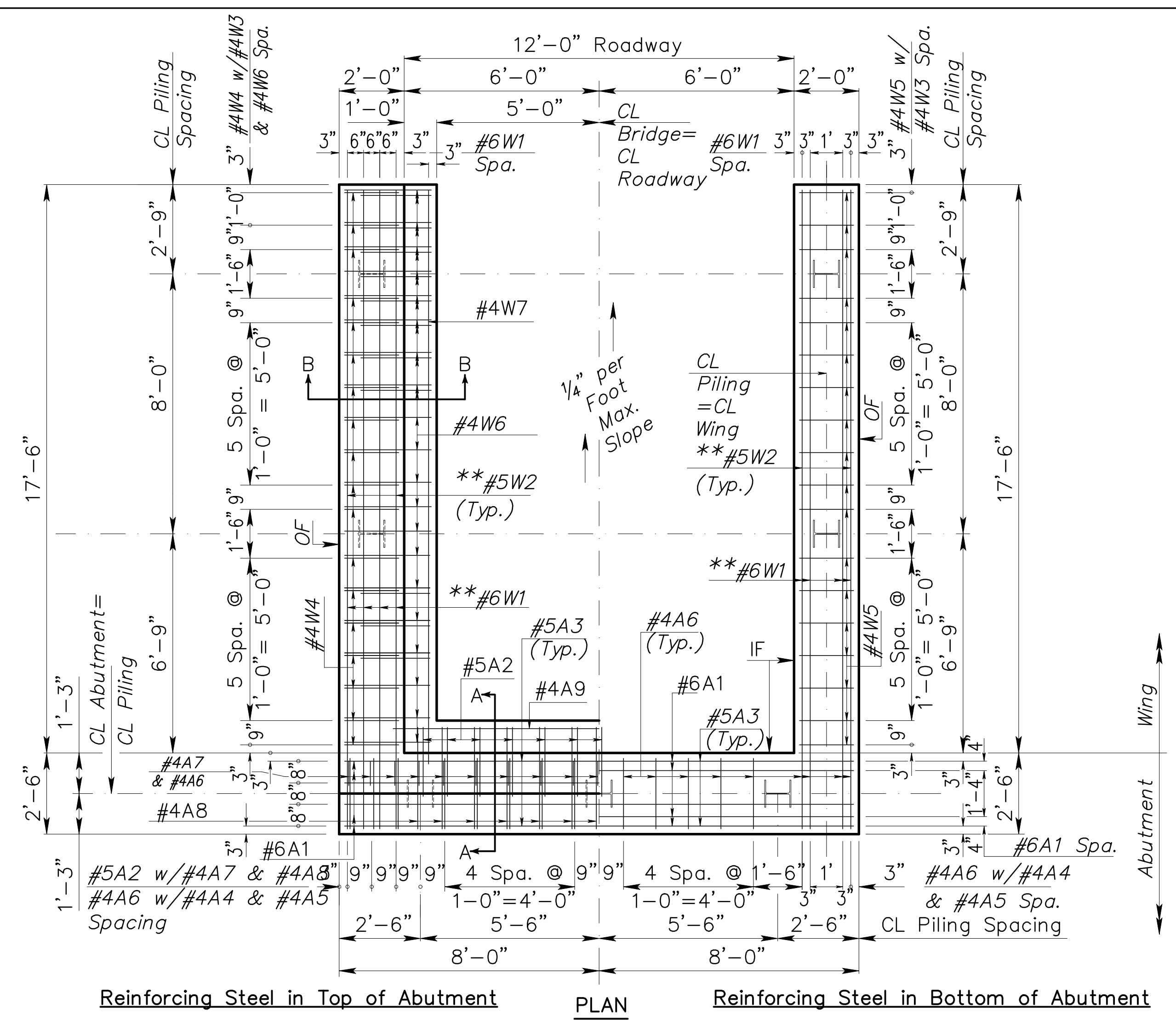


STATE	PROJECT NO.	YEAR	SHEET NO.	TOTAL SHEETS
KANSAS	87 TE-0451-01	2018	81	222



Reinforcing Steel in Top of Abutment **PLAN** Reinforcing Steel in Bottom of Abutment

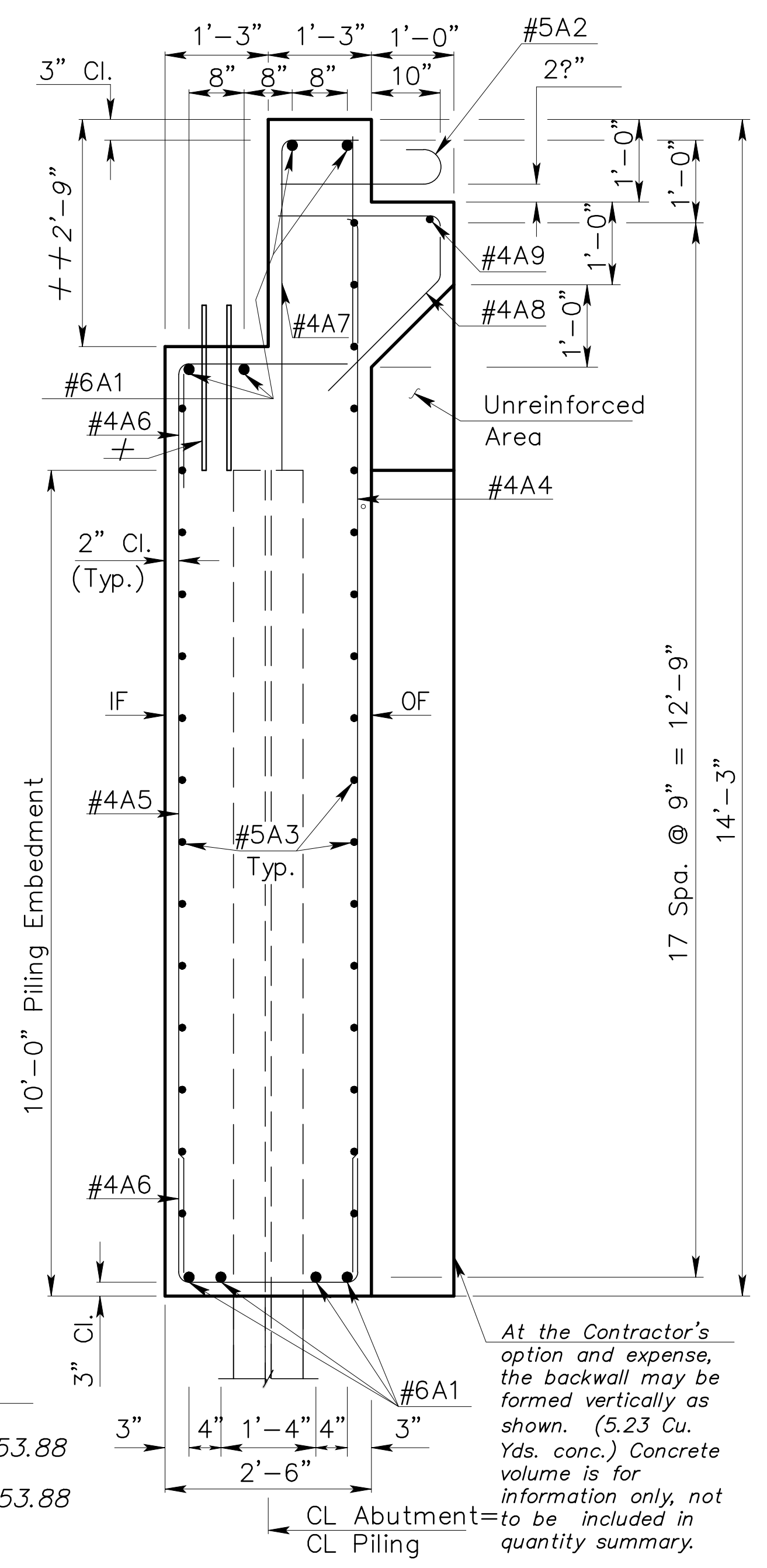
**LEGEND**  
 EF = Each Face  
 IF = Inside Face  
 OF = Outside Face

\* Adjust #5A2, #4A6, & #4A7 #4A8, #4W4, #4W5 Top bars to avoid conflict with Anchor Bolts/Rail bars.

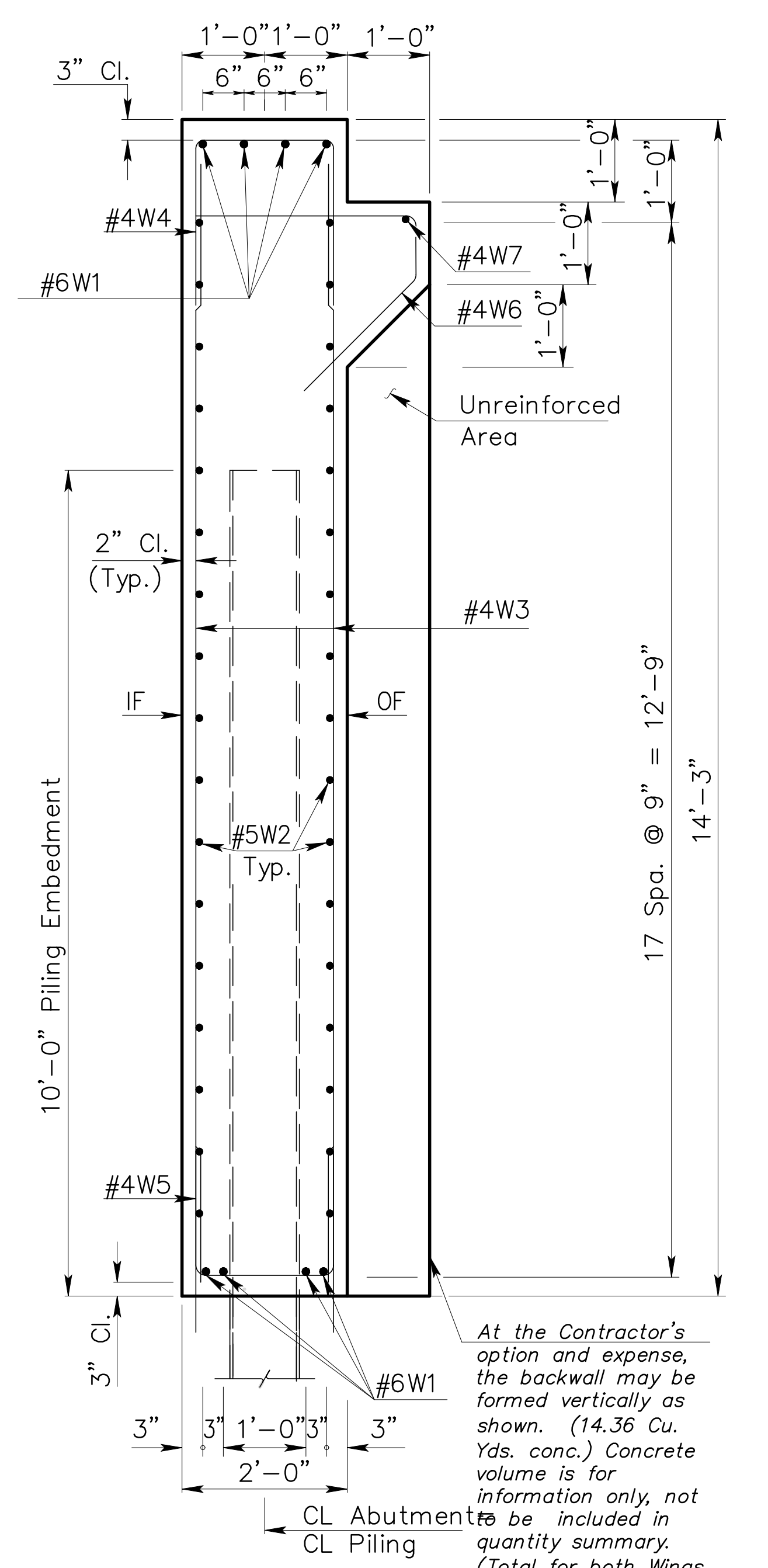
\*\* Extend #5W2 & #6W1 2'-3" into Abutment.

+ Anchor Bolt/Bearing design by Bridge Manufacturer. Embed bolts a minimum of 18".

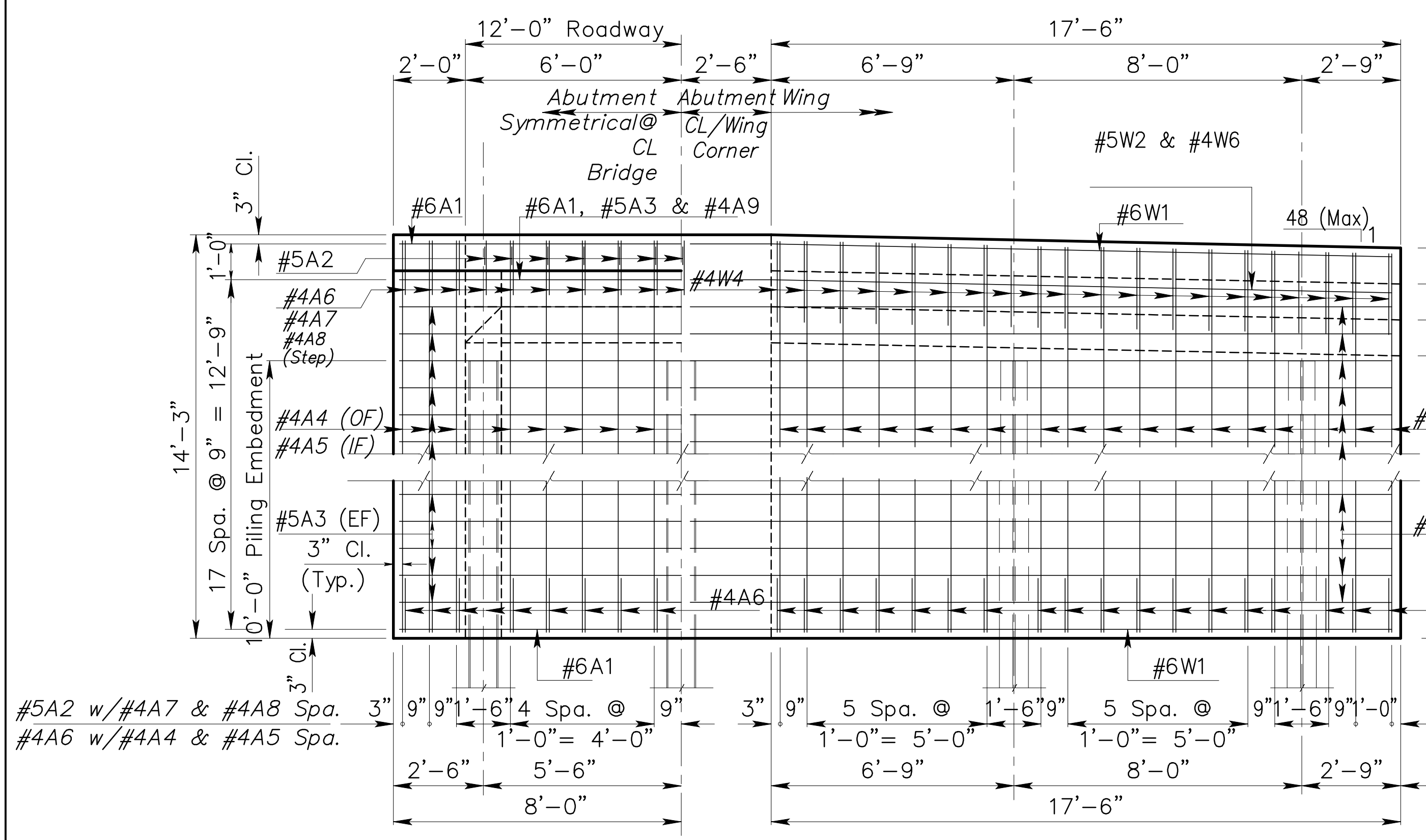
++ Match depth of Prefabricated Truss top of deck to bottom bearing plate per Bridge Manufacturer design submittal.



**SECTION A-A**



**SECTION B-B**

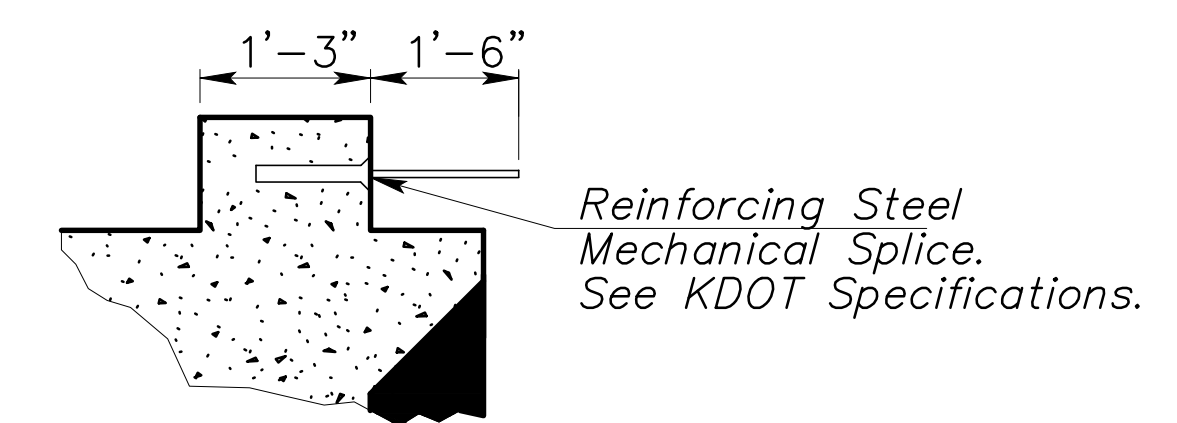


(Along CL Abutment) **ELEVATION** (Along CL Wing)

Elev. @ CL Abutment  
 Abut. No. 1 = 1353.88  
 Abut. No. 1 Wing End = 1353.88  
 Abut. No. 2 = 1353.88  
 Abut. No. 2 Wing End = 1353.88

Top of Piling Elev.  
 Abut. No. 1 / Wing = 1349.63  
 Abut. No. 2 / Wing = 1349.63

Bottom of Ftg. Elev.  
 Abut. No. 1 / Wing = 1339.63  
 Abut. No. 2 / Wing = 1339.63



**APPROACH SLAB TIE BAR OPTION**  
 The Contractor has the option (at no additional cost to the City of Wichita) of substituting a mechanically spliced reinforcing bar of the same size for any or all of the cast-in-place approach slab tie bars.

At the Contractor's option and expense, the backwall may be formed vertically as shown. (5.23 Cu. Yds. conc.) Concrete volume is for information only, not to be included in quantity summary.

At the Contractor's option and expense, the backwall may be formed vertically as shown. (14.36 Cu. Yds. conc.) Concrete volume is for information only, not to be included in quantity summary. (Total for both Wings of one Abutment)

3				
2				
1				
NO.	DATE	REVISIONS	BY	APP'D

Sta. 201+52.00

**ABUTMENT DETAILS**

Proj. No. 472-85360 Sedgwick Co.

SHEET NO.	OF	SCALE	APP'D
DESIGNED		DETAILED	QUANTITIES
DESIGN CK.		DETAIL CK.	QUAN. CK.