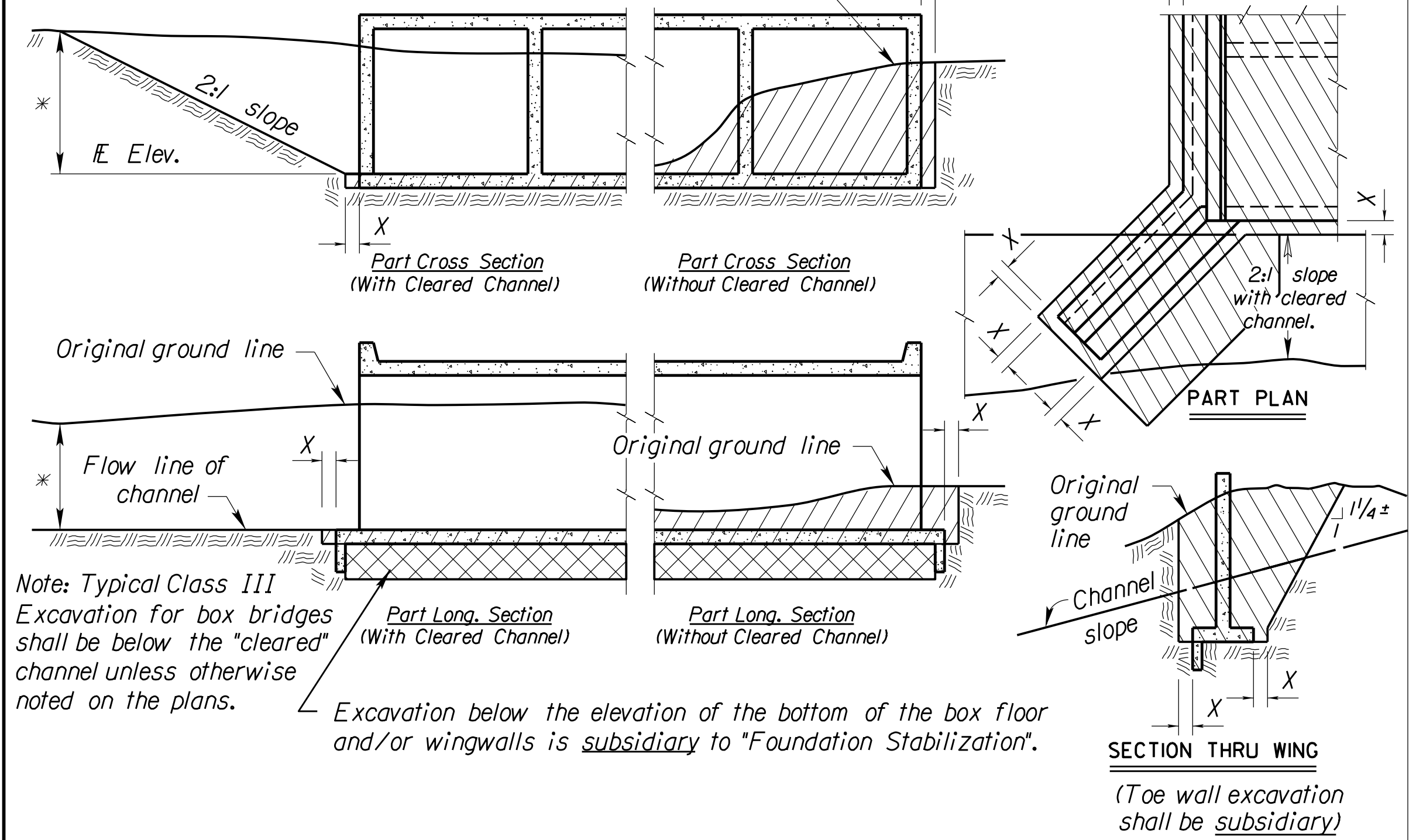


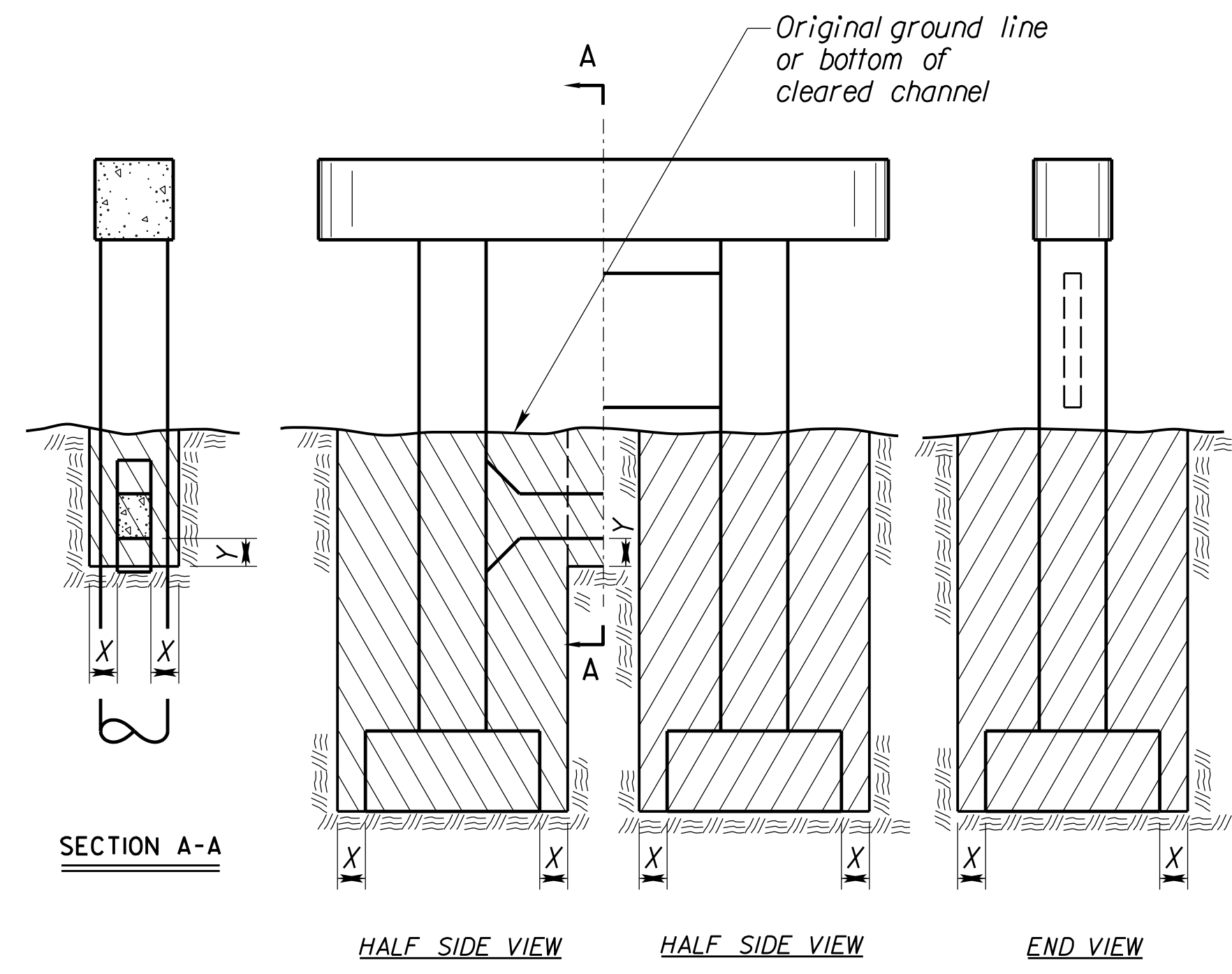
STATE	PROJECT NO.	YEAR	SHEET NO.	TOTAL SHEETS
KANSAS	87 TE-0451-01	2018	85	222

* Note: The Grading Contractor shall excavate the channel to the limits shown prior to the construction of the box bridge, unless otherwise noted in the plans.



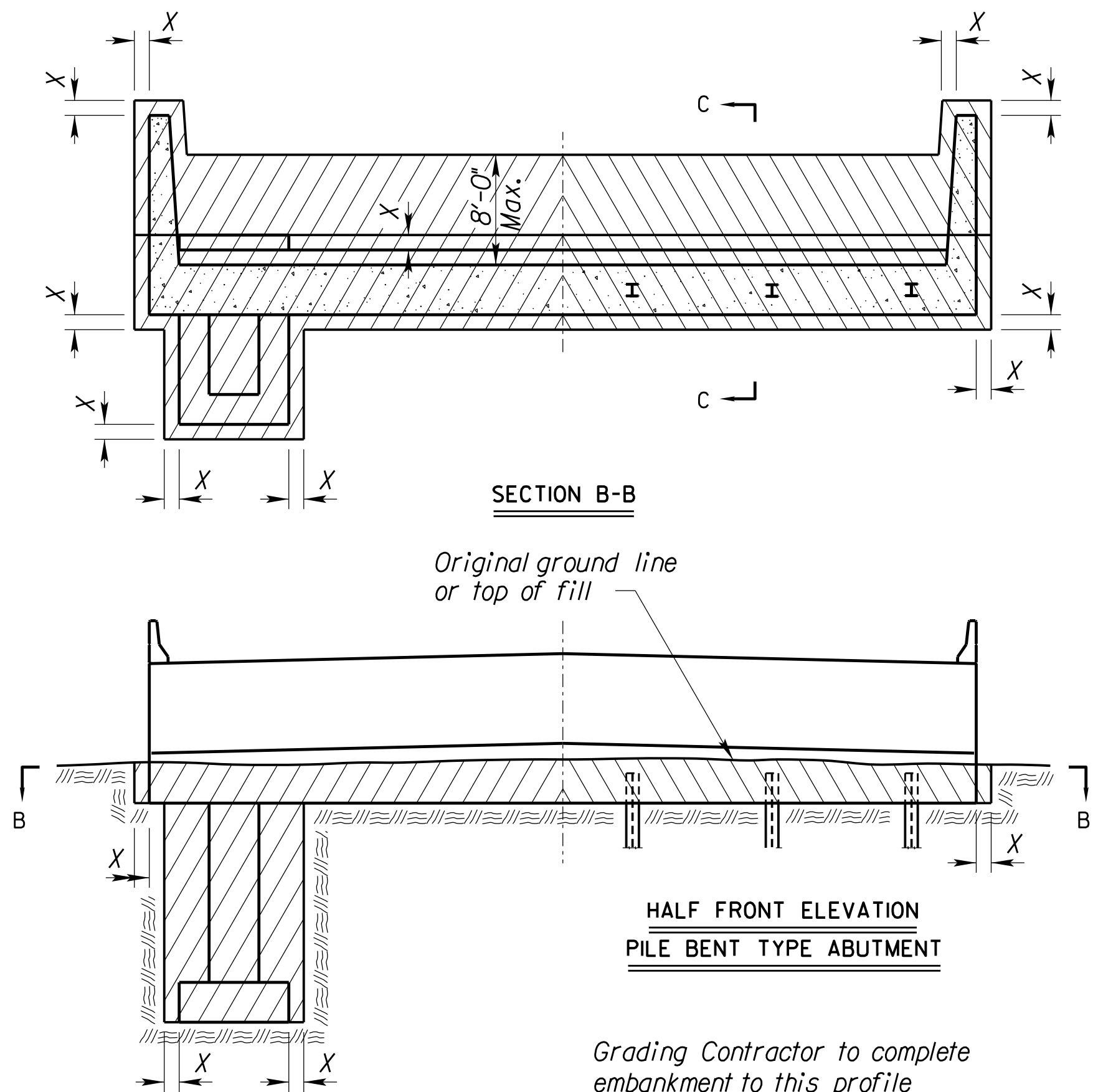
EXCAVATION DETAILS FOR REINFORCED CONCRETE BOX CULVERT

Note: Excavation for culverts less than bridge length and the additional excavation for "Embedded Structures" shall not be paid for as Class III Excavation, but shall be subsidiary to Grade 4.0 Concrete.



EXCAVATION DETAILS FOR TYPICAL PIERS

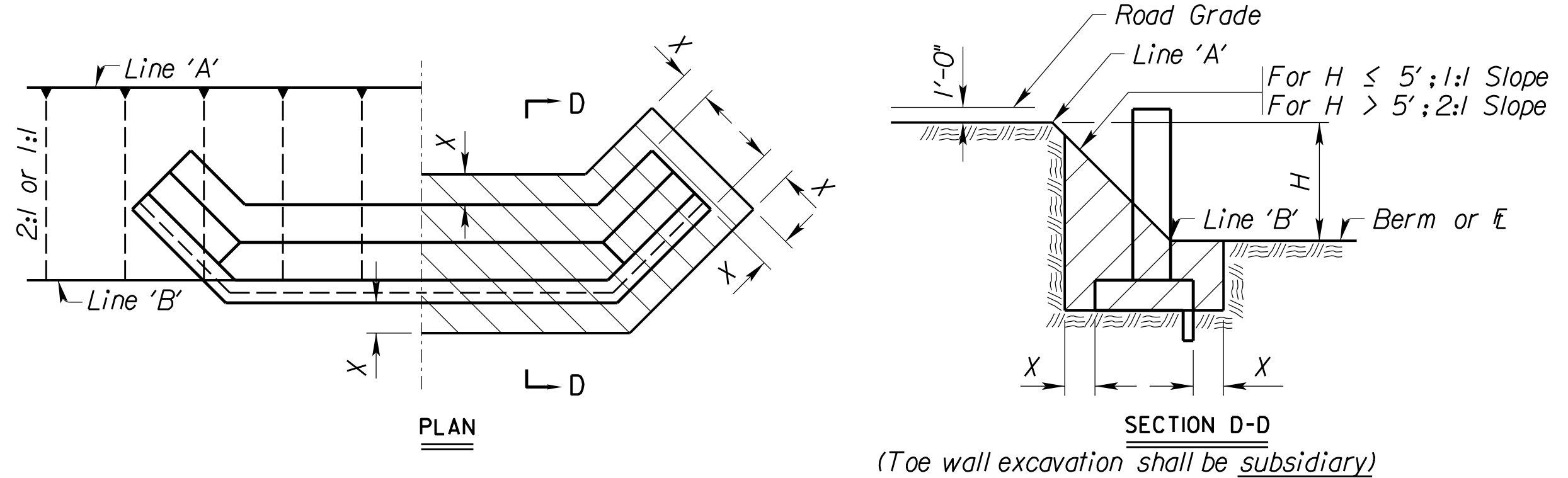
See detail when rock or shale (rock) is encountered.



EXCAVATION DETAILS FOR TYPICAL ABUTMENTS

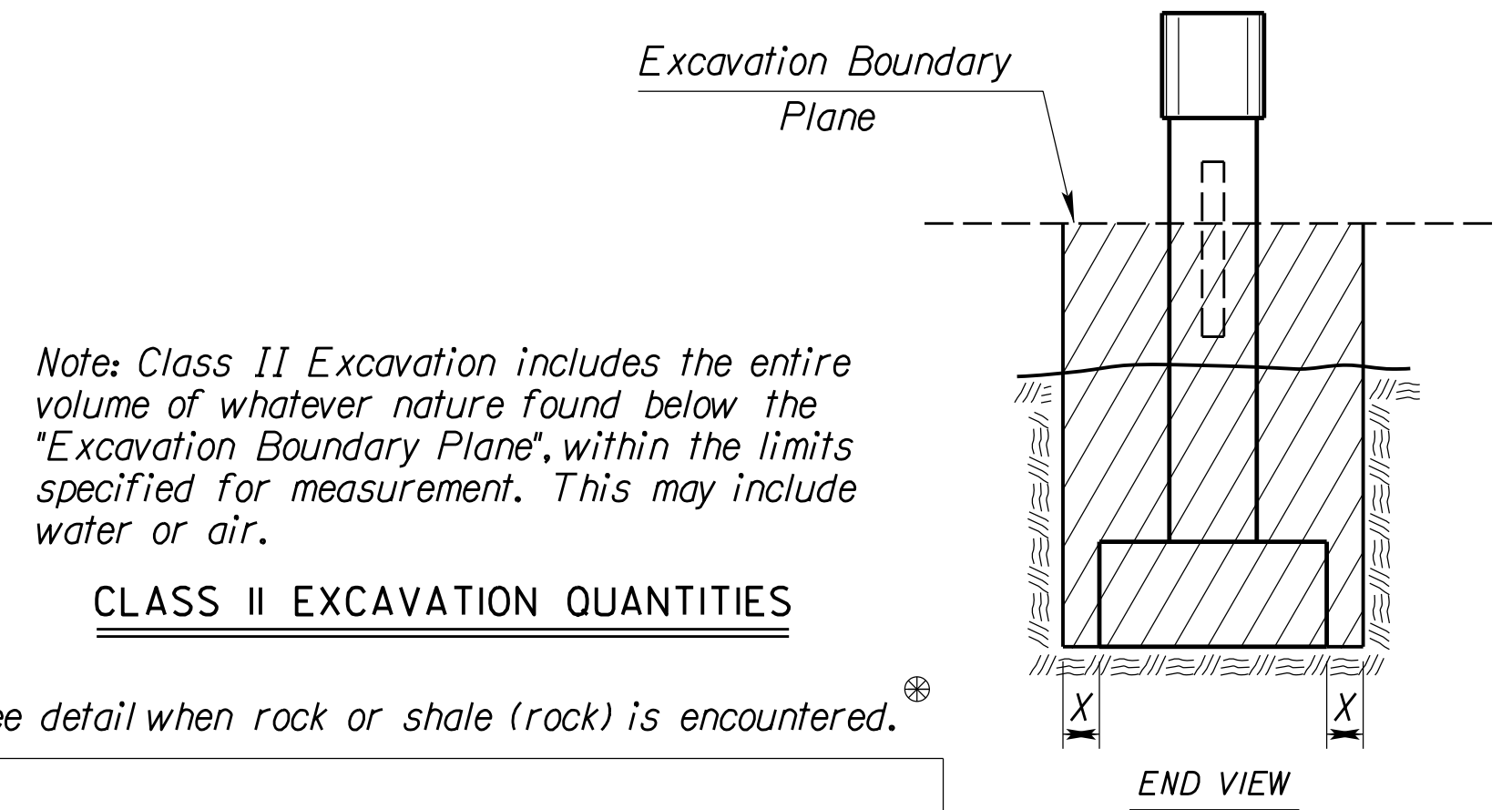
Note: Bridge Contractor shall finish the embankment and berms after the construction of the abutment and dispose of any excess material as approved by the Engineer.

Grading Contractor to complete embankment to this profile prior to construction of the abutment. No excavation beyond this line. Road grade. For H ≤ 5'; 1:1 Slope. For H > 5'; 2:1 Slope. 8'-0" Max. Berm Elev. Limits of Pay Excavation-Bridge. Note: Any sheeting required shall be subsidiary to the bid item for Excavation.



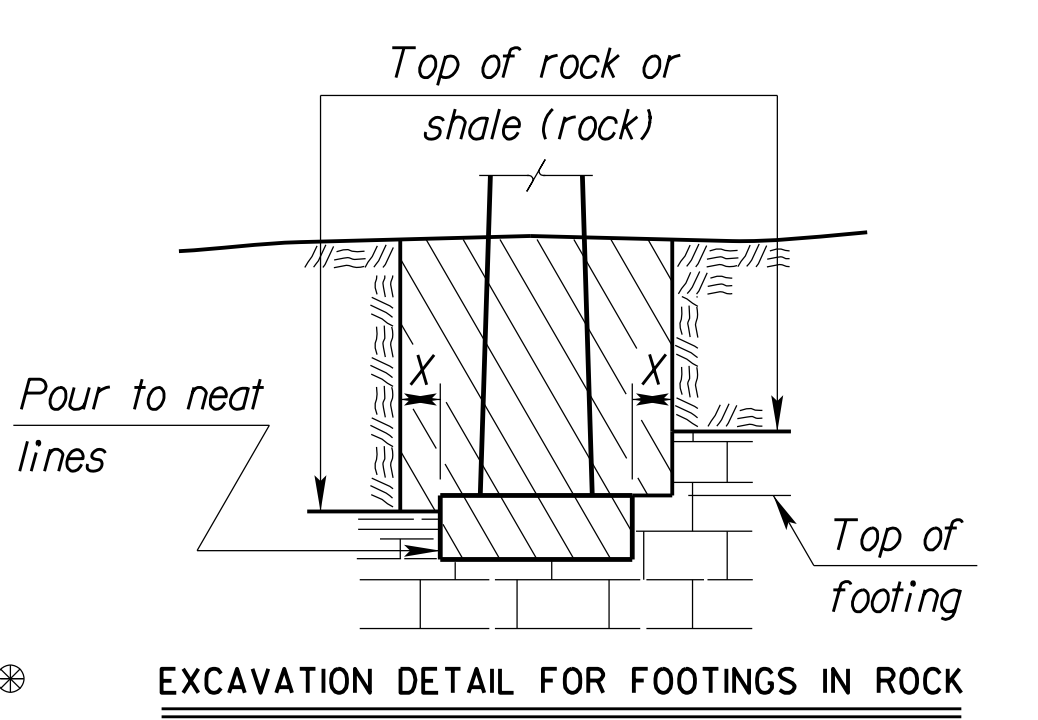
EXCAVATION DETAILS FOR ABUTMENTS WITH FLARED WINGWALLS

(Toe wall excavation shall be subsidiary)



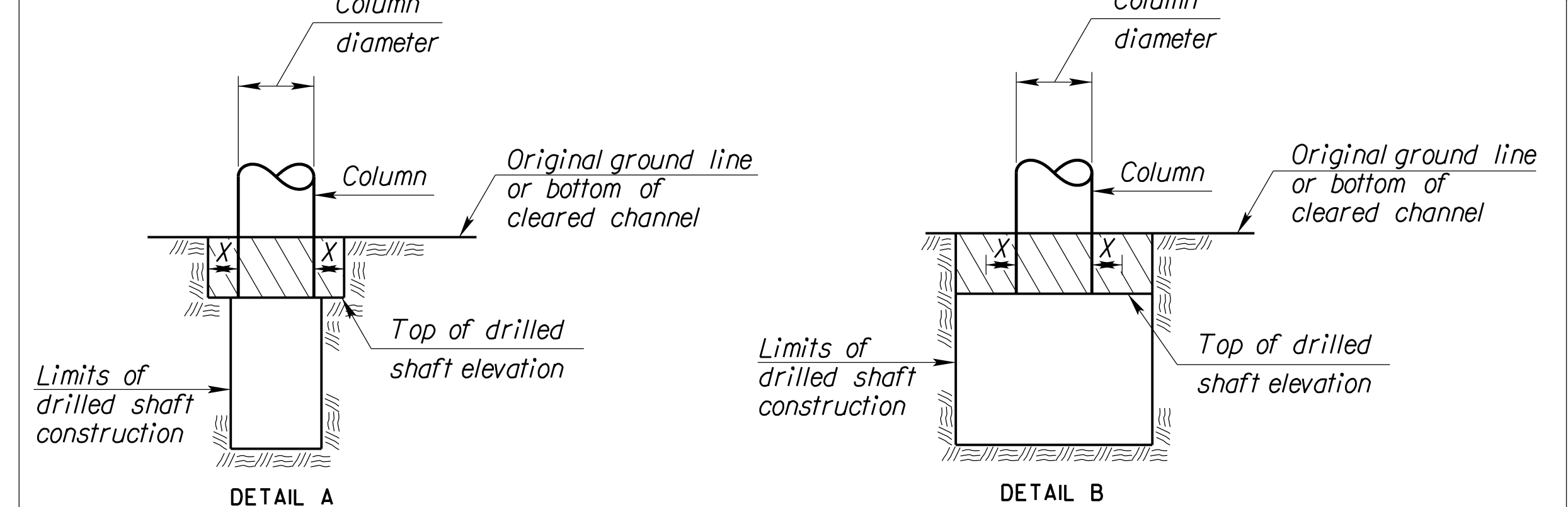
CLASS II EXCAVATION QUANTITIES

See detail when rock or shale (rock) is encountered.



EXCAVATION DETAIL FOR FOOTINGS IN ROCK OR SHALE (ROCK)

Note: Excavation below top of rock, hard shale or below top of footing, whichever is lower, shall be to neat lines of the concrete construction.



DRILLED SHAFT DETAILS

Note: Whenever the limits of the drilled shaft construction are greater than the Column Diameter + 2X, the limits of Class I, II or III Excavation shall be the limits of the drilled shaft construction. (See Detail B)

Note: All bridge excavation shall be computed on the basis of the cross-hatch areas and boundary lines indicated on this sheet and the Excavation Boundary Plane on the Construction Layout. Sides of trenches in hard or compacted soil including embankments shall be shored, sheeted, braced or otherwise supported when the trench is more than 5 feet in depth and 8 feet or more in length. In lieu of the shoring, the sides of the trench above the 5 foot level may be sloped to preclude collapse. The slope for average soils shall be 1:1. If the angle of repose of the soil is less, flatter slopes shall be required.

NO.	DATE	REVISIONS	BY	APP'D
7				
6	8-15-12	Embedment Excavation Subsidiary	JPJ	TLF
5	5-15-12	Revised Wing Excavation	JPJ	TLF
4	3-3-10	Revised Wing Excavation	JPJ	TLF
3	10-16-06	Revised 'Foundation Stab.' Note	JPJ	KFH
2	10-19-04	Concrete - Class to Grade	RAM	KFH
1	4-10-02	Added 'Foundation Stab.' Note	RAM	KFH

KANSAS DEPARTMENT OF TRANSPORTATION

BRIDGE EXCAVATION (LRFD)

BRI00B

DESIGNED	4/17/10 APP'D	TERRY L. FLECK
DETAIL CK.	RDR QUANTITIES	CADD
DESIGN CK.	LRR QUAN. CK.	CADD CK.

Std. Base File: br100.dgn
 Plotted By: \$USERNAME\$
 File: \$\$\$\$\$\$DGN\$SPEC\$\$\$\$\$
 Plot Date: \$\$\$\$SYTIME\$\$\$\$\$

CADconform Certify This File