



**STREET IMPROVEMENTS FOR**  
**17TH ST - BROADWAY TO I-135**  
 FROM BROADWAY TO I-135

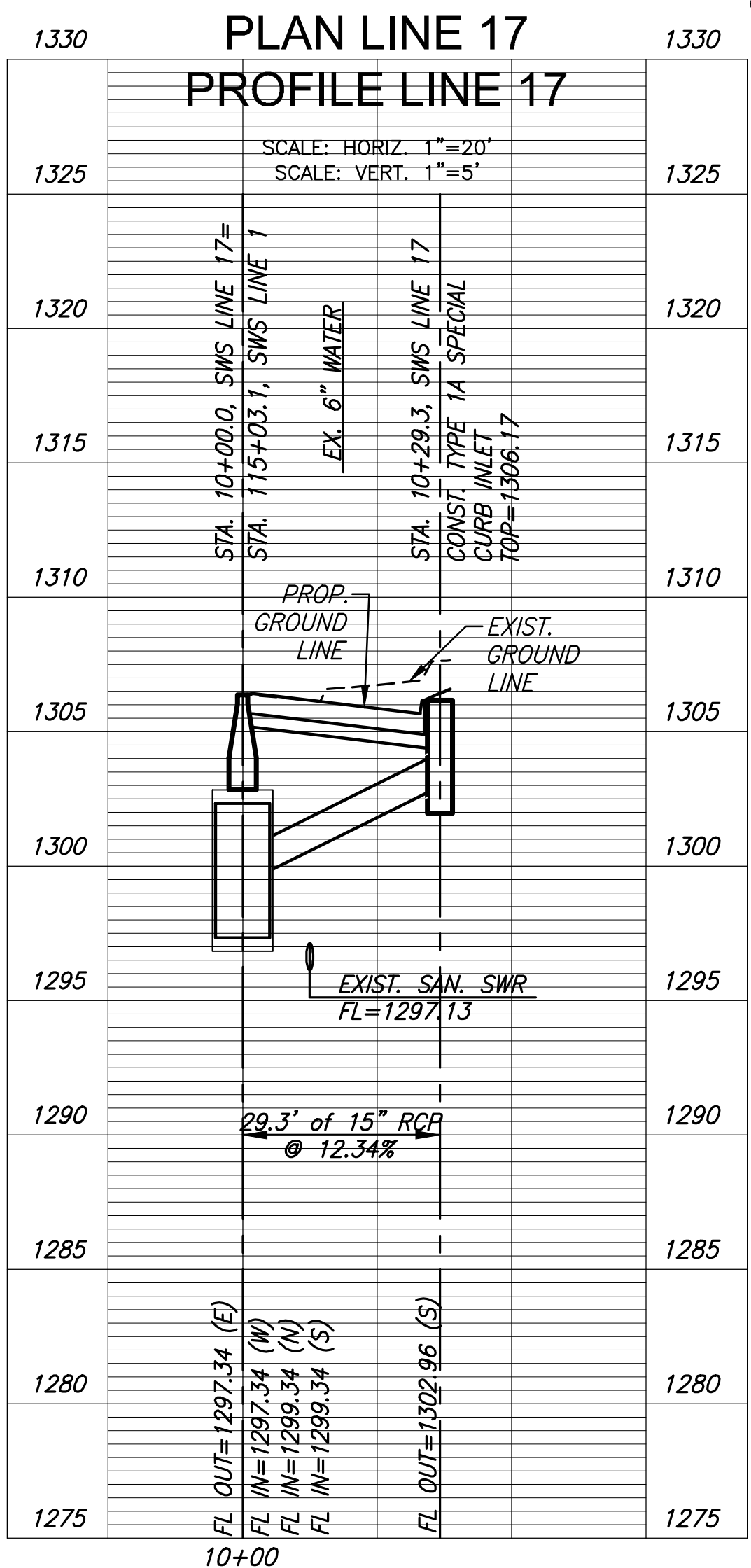
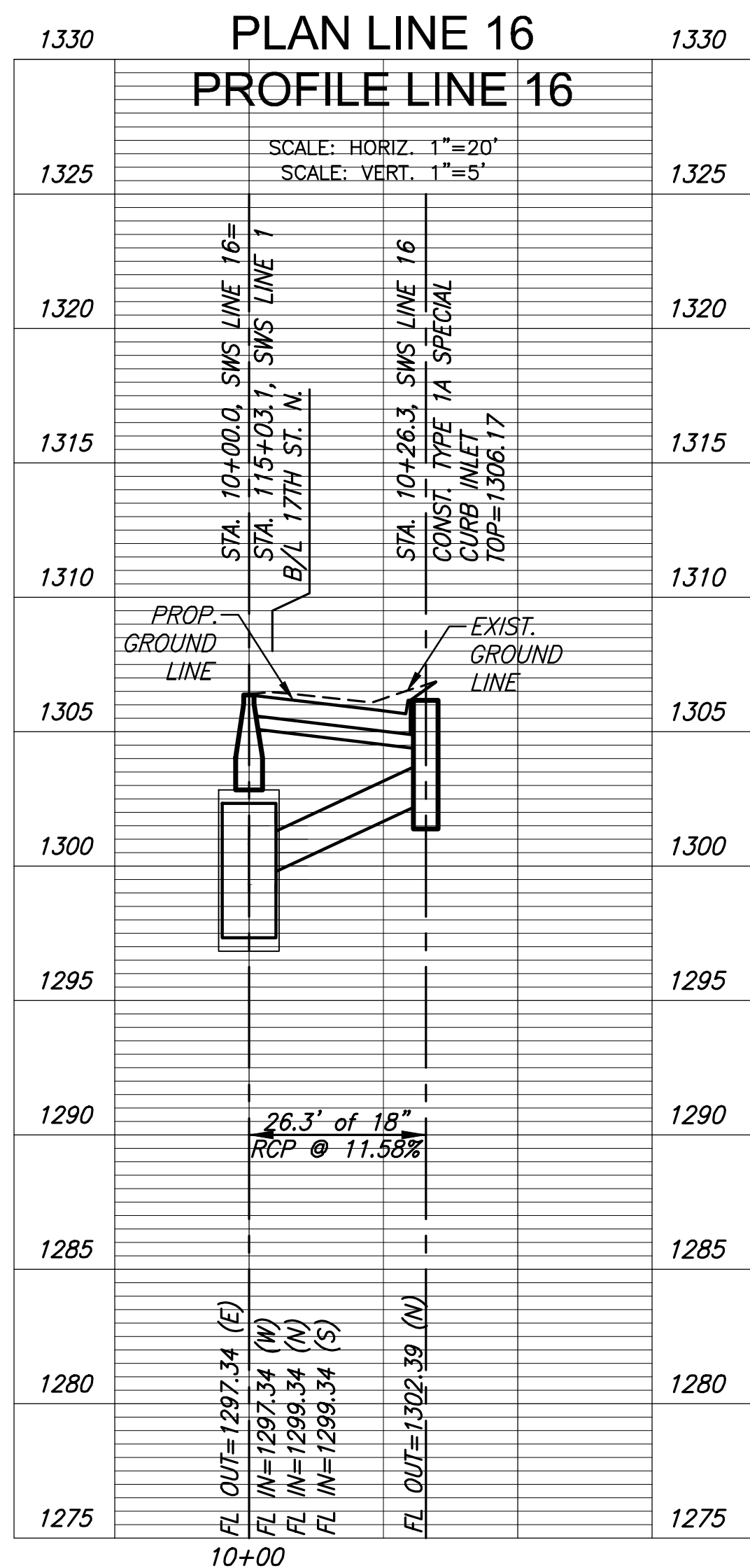
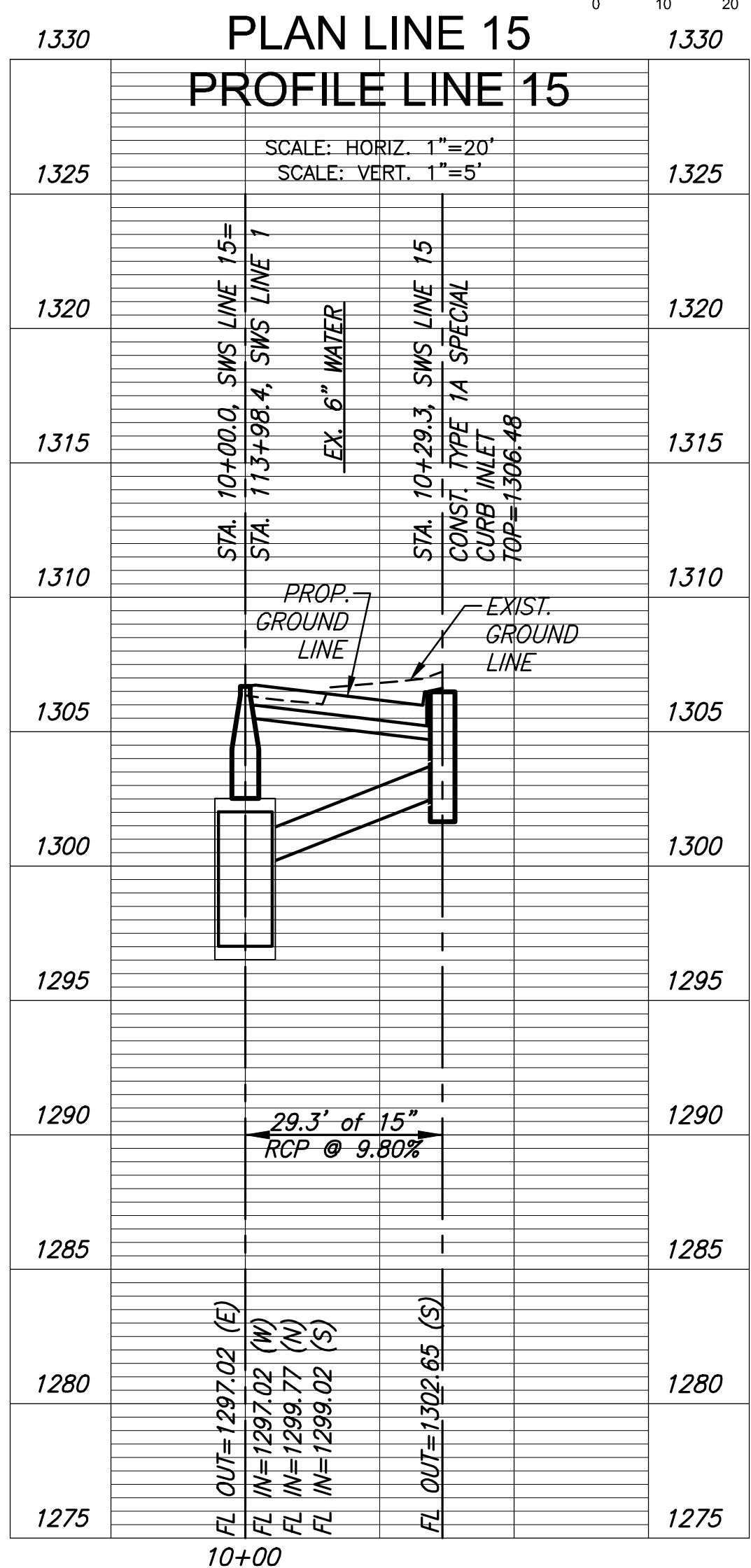
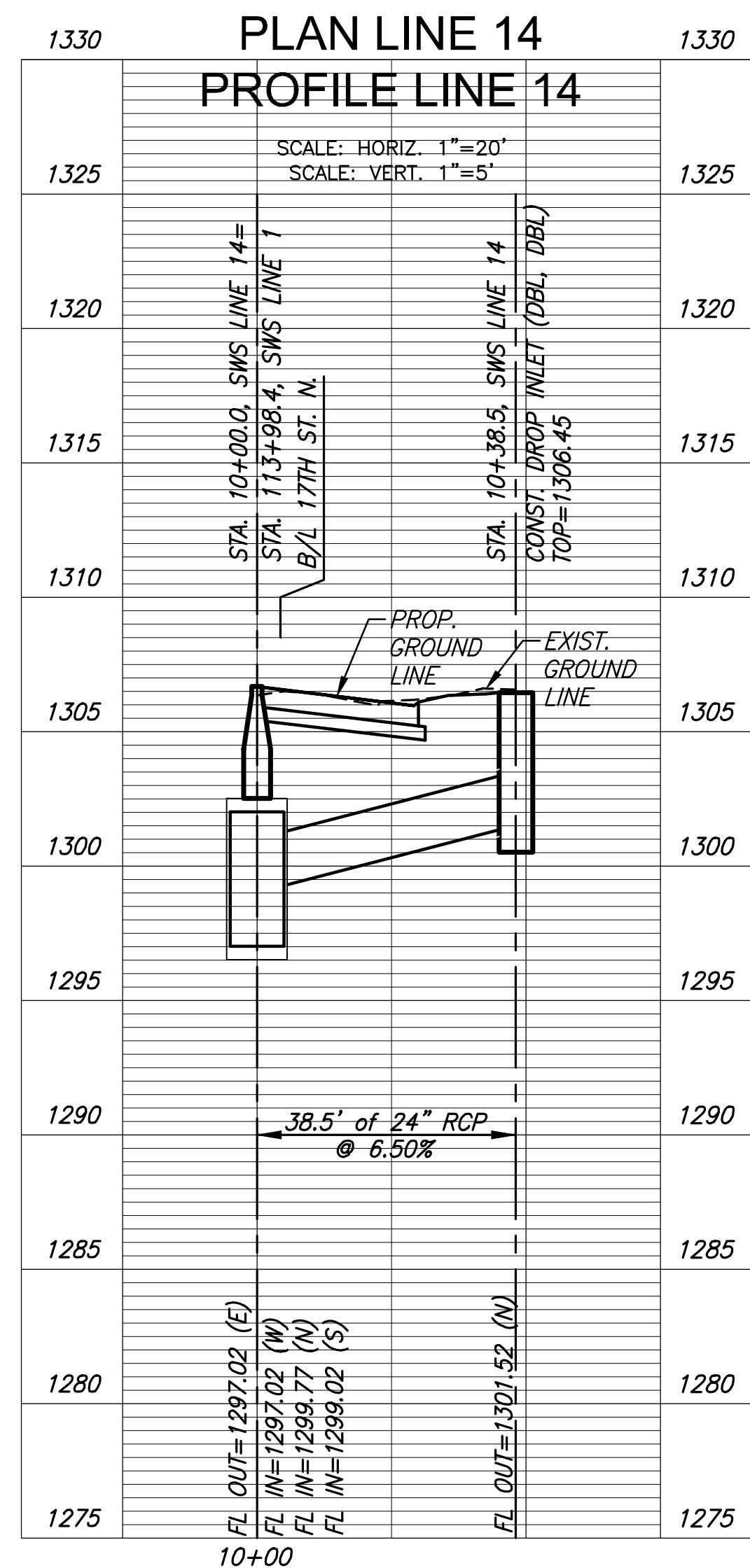
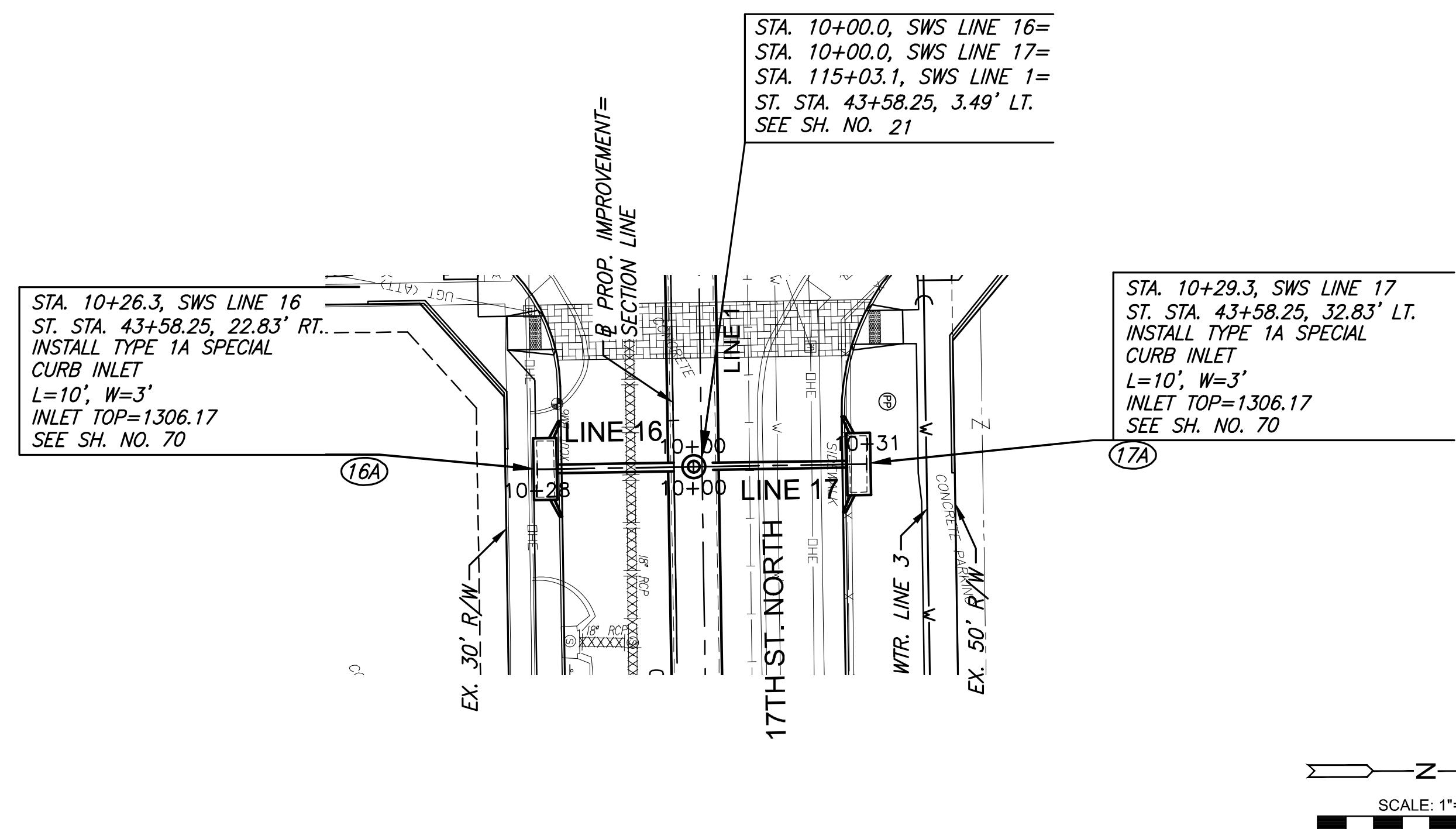
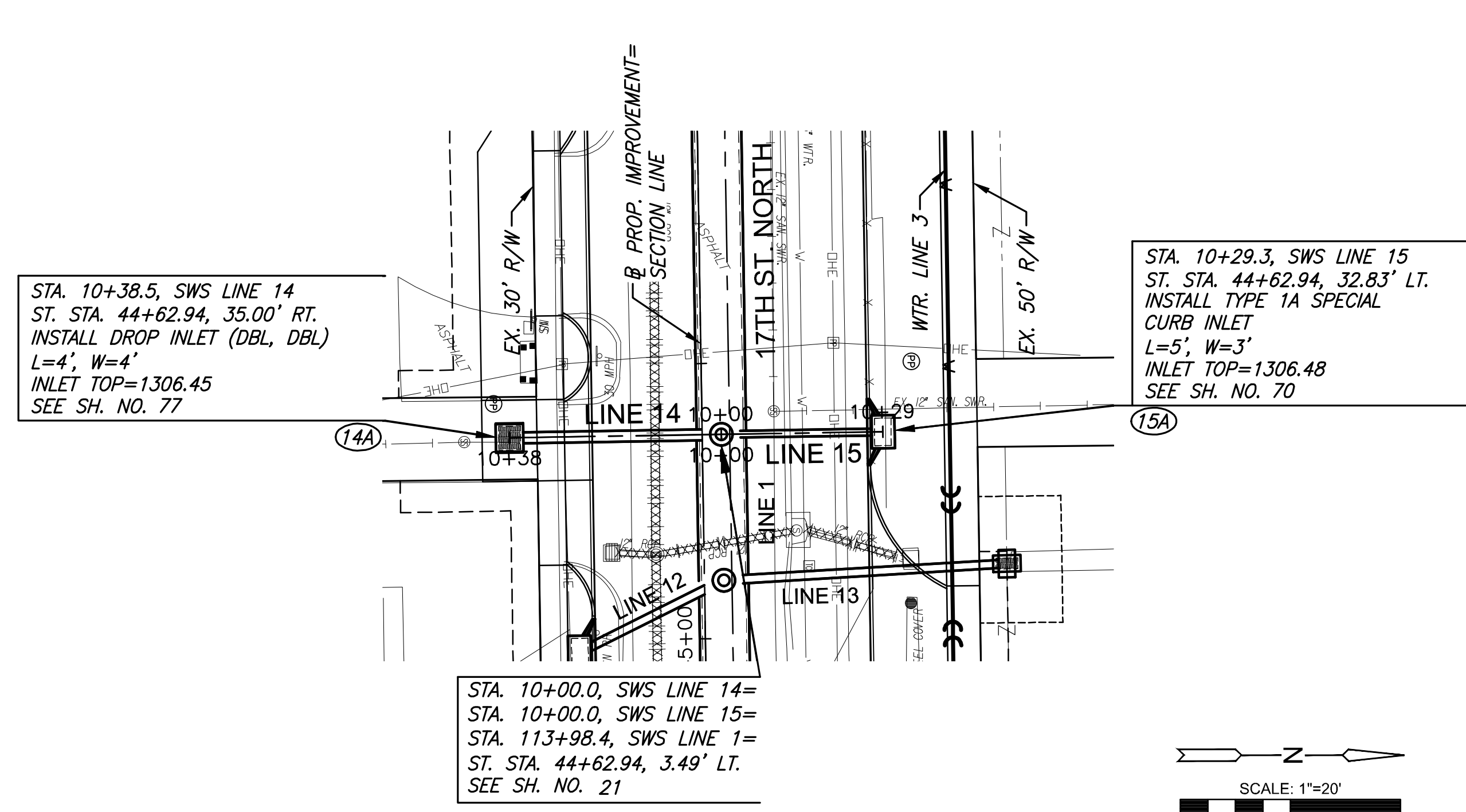
©2019 MKEC Engineering All Rights Reserved  
 These drawings and their contents, including, but not limited to, all concepts, designs, & ideas are the exclusive property of MKEC Engineering (MKEC), and may not be used or reproduced in any way without the express consent of MKEC.

**STORM SEWER PLAN & PROFILE LINE 14, 15, 16 & 17**

PROJECT NO.	87 N-0662-01
DATE	8/30/2019
SCALE	1"=20'
DESIGNED	JRA
DRAWN	WNJ
CHECKED	JRA

NO.	REVISION	DATE

SHEET NO. 29 OF 194



PLOTTED: Tuesday, September 03, 2019 @ 01:37PM  
 J:\CIVIL\17TH\DWGS\SWS\04177.DWG