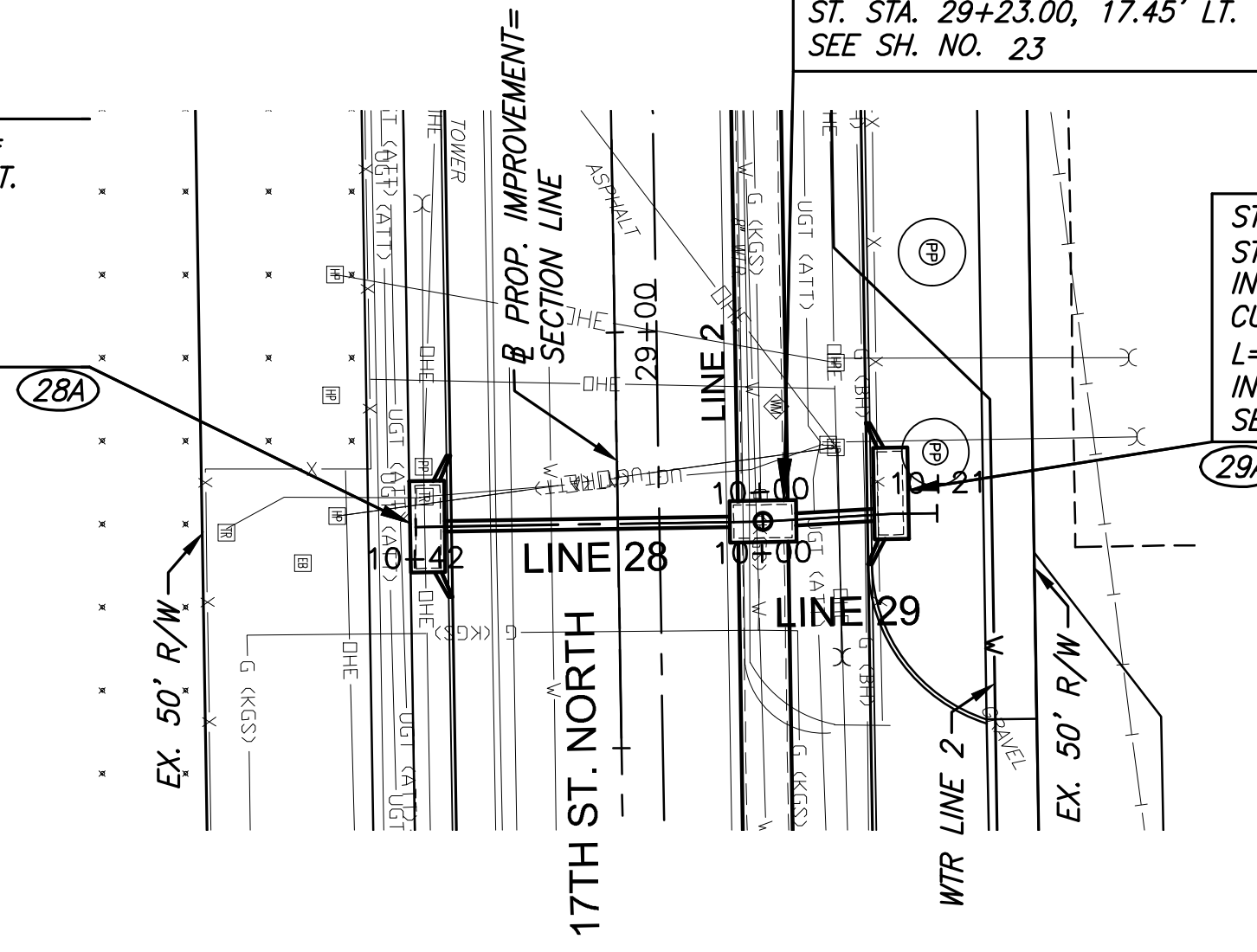


STATE	PROJECT NO.	YEAR	SHEET NO.	TOTAL SHEETS
KANSAS	87 N-0662-01	2019	33	194

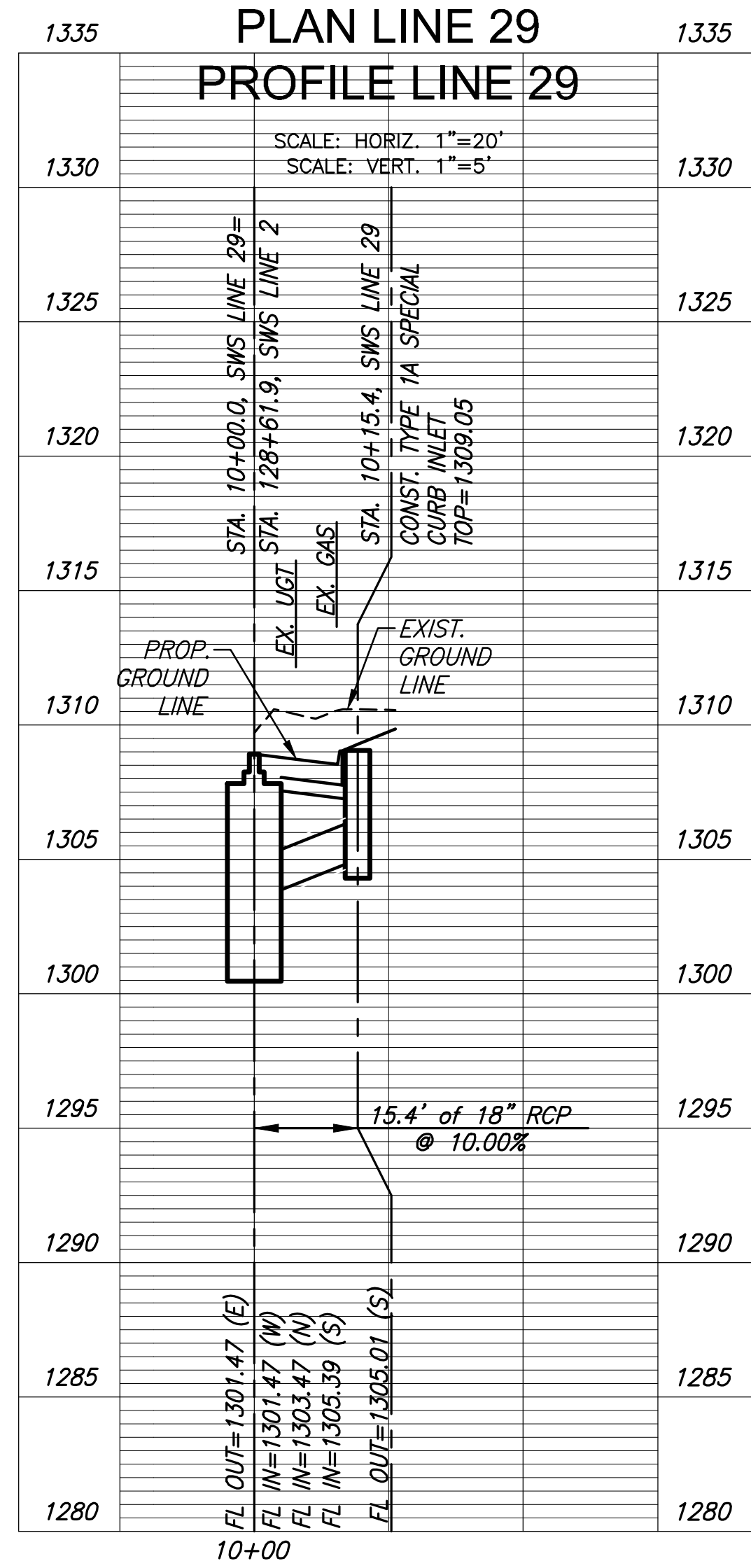
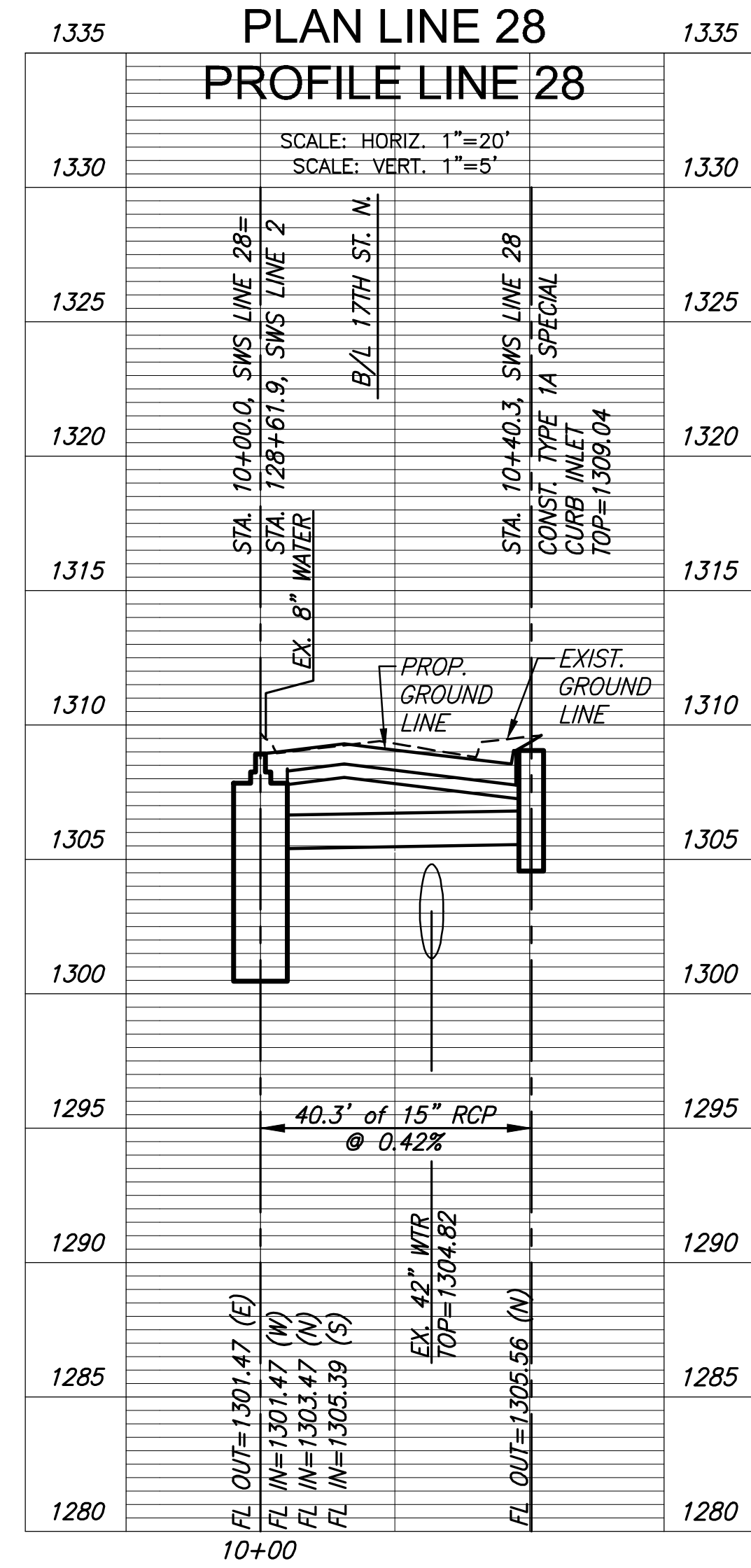
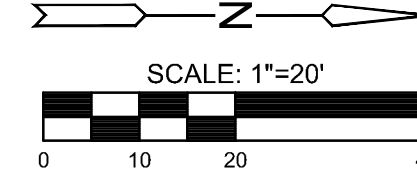


STA. 10+40.3, SWS LINE 28=
ST. STA. 29+23.00, 22.83' RT.
INSTALL TYPE 1A SPECIAL
CURB INLET
L=10', W=3'
INLET TOP=1309.04
SEE SH. NO. 70

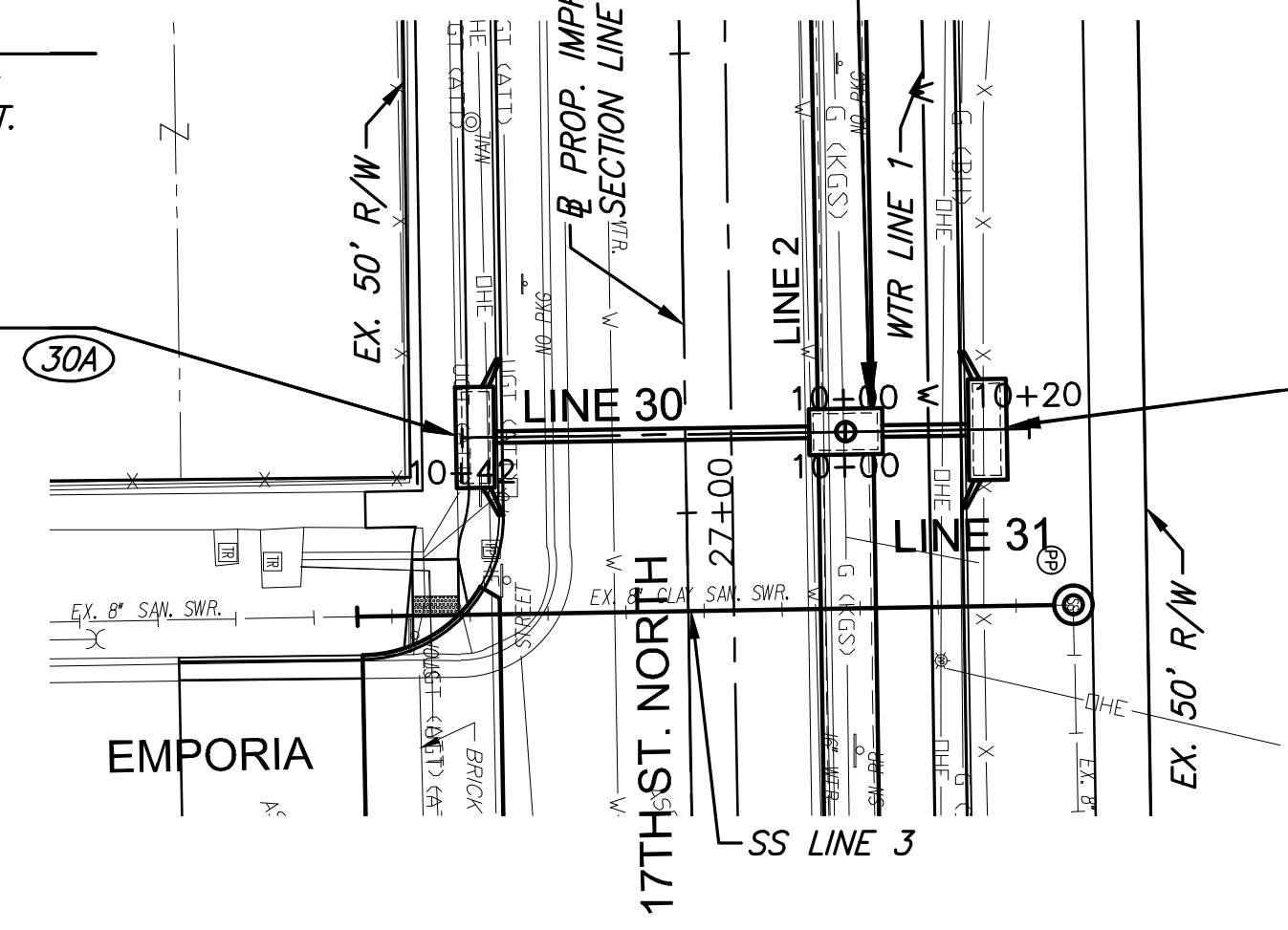


STA. 10+00.0, SWS LINE 28=
STA. 10+00.0, SWS LINE 29=
STA. 128+61.9, SWS LINE 2=
ST. STA. 29+23.00, 17.45' LT.
SEE SH. NO. 23

STA. 10+15.4, SWS LINE 29=
ST. STA. 29+19.86, 32.83' LT.
INSTALL TYPE 1A SPECIAL
CURB INLET
L=10', W=3'
INLET TOP=1309.05
SEE SH. NO. 70

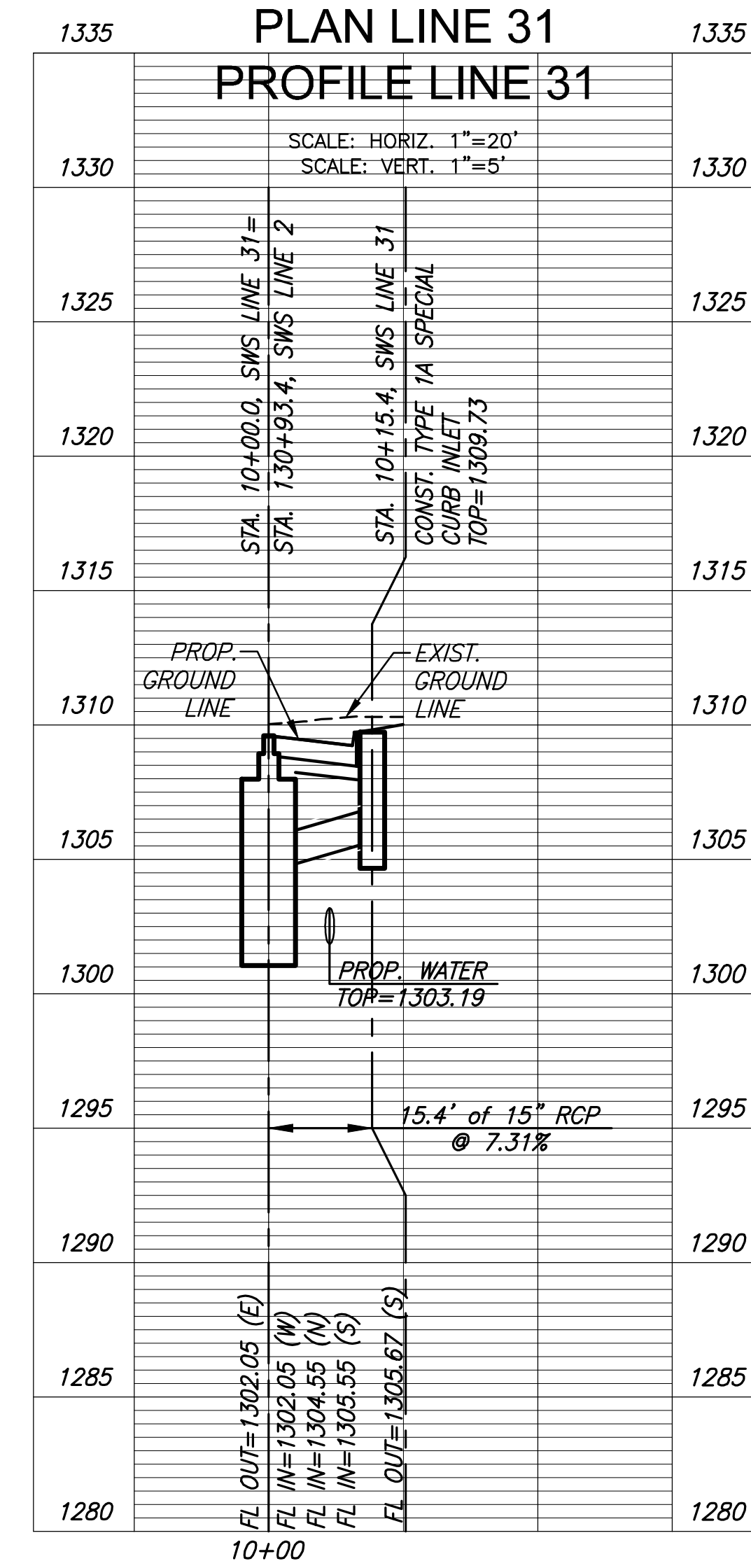
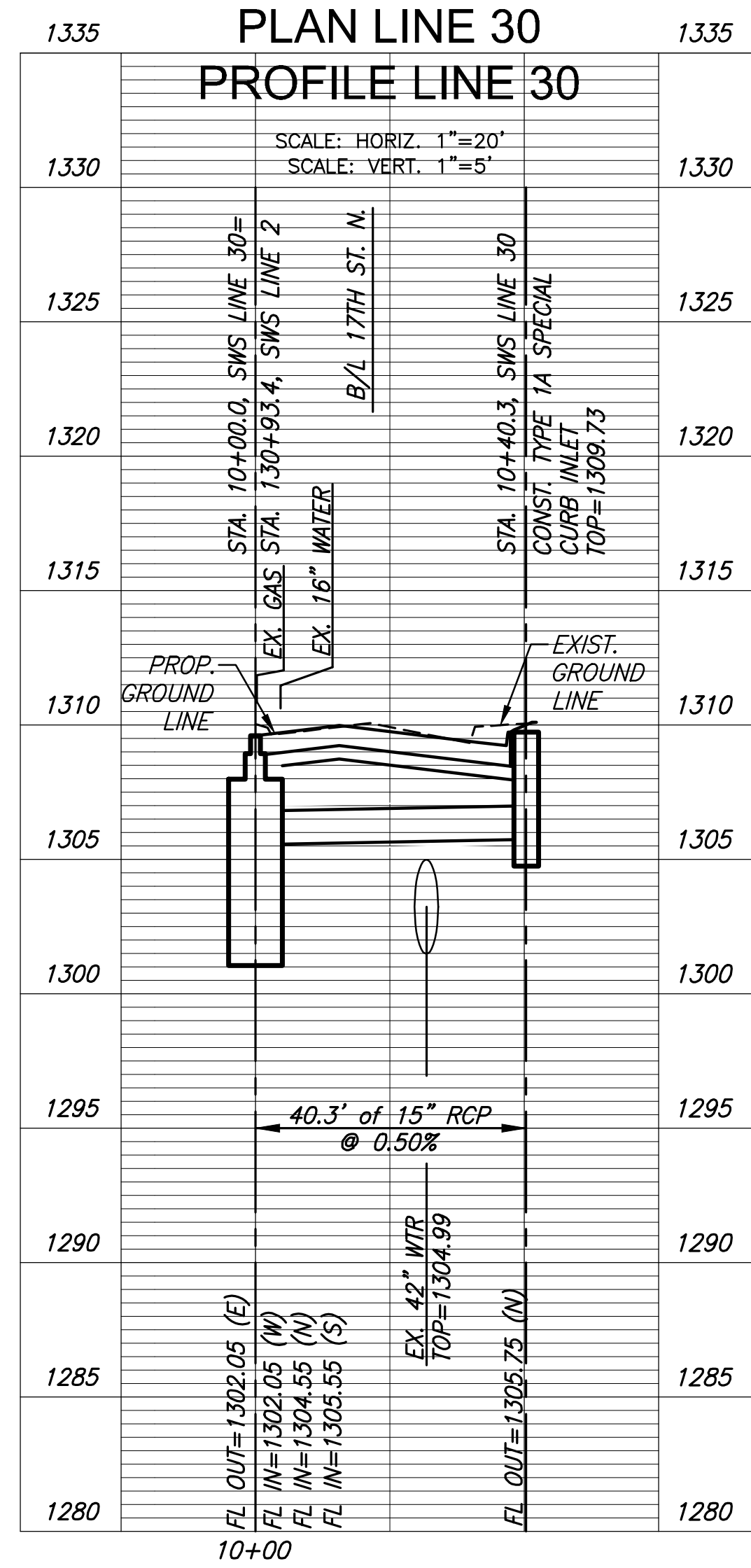
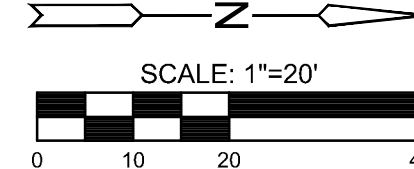


STA. 10+40.3, SWS LINE 30=
ST. STA. 26+91.44, 22.83' RT.
INSTALL TYPE 1A SPECIAL
CURB INLET
L=10', W=3'
INLET TOP=1309.73
SEE SH. NO. 70



STA. 10+00.0, SWS LINE 30=
STA. 10+00.0, SWS LINE 31=
STA. 130+93.4, SWS LINE 2=
ST. STA. 26+91.44, 17.44' LT.
SEE SH. NO. 24

STA. 10+15.4, SWS LINE 31=
ST. STA. 26+91.44, 32.83' LT.
INSTALL TYPE 1A SPECIAL
CURB INLET
L=10', W=3'
INLET TOP=1309.73
SEE SH. NO. 70



STREET IMPROVEMENTS FOR
17TH ST - BROADWAY TO I-135
FROM BROADWAY TO I-135

©2019 MKEC Engineering All Rights Reserved
www.mkec.com
These drawings and their contents, including, but not limited to, all concepts, designs, & ideas are the exclusive property of MKEC Engineering (MKEC), and may not be used or reproduced in any way without the express consent of MKEC.

STORM SEWER
PLAN & PROFILE
LINE 28, 29, 30, & 31

PROJECT NO.	87 N-0662-01	
DATE	8/30/2019	
SCALE	1"=20'	
DESIGNED	JRA	
DRAWN	WNJ	
CHECKED	JRA	
NO.	REVISION	DATE
SHEET NO. 33 OF 194		

PLOTTED: Tuesday, September 03, 2019 @ 12:21 PM
J:\CIVIL\17TH\DWG\SWS\04177_DP14.DWG