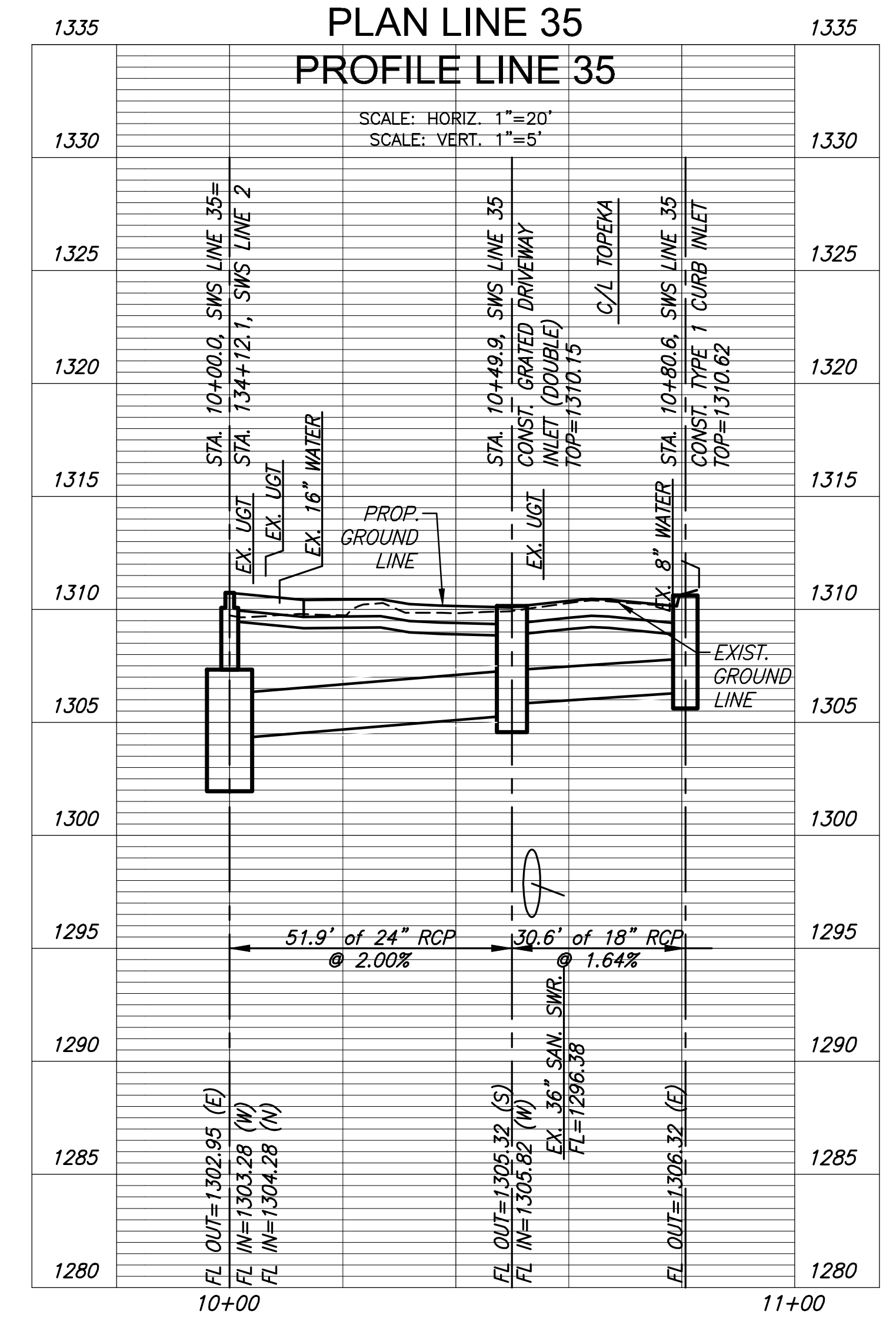
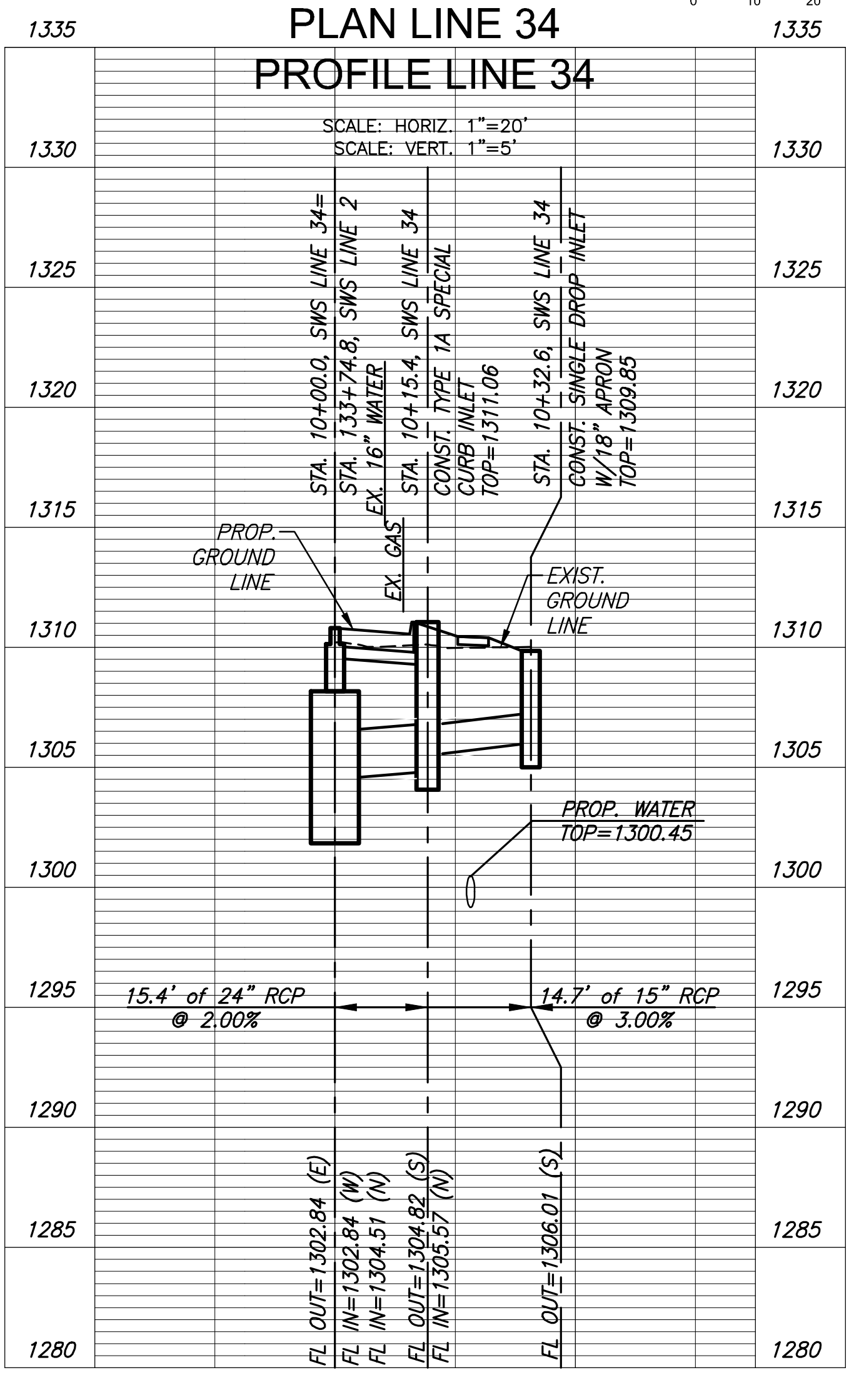
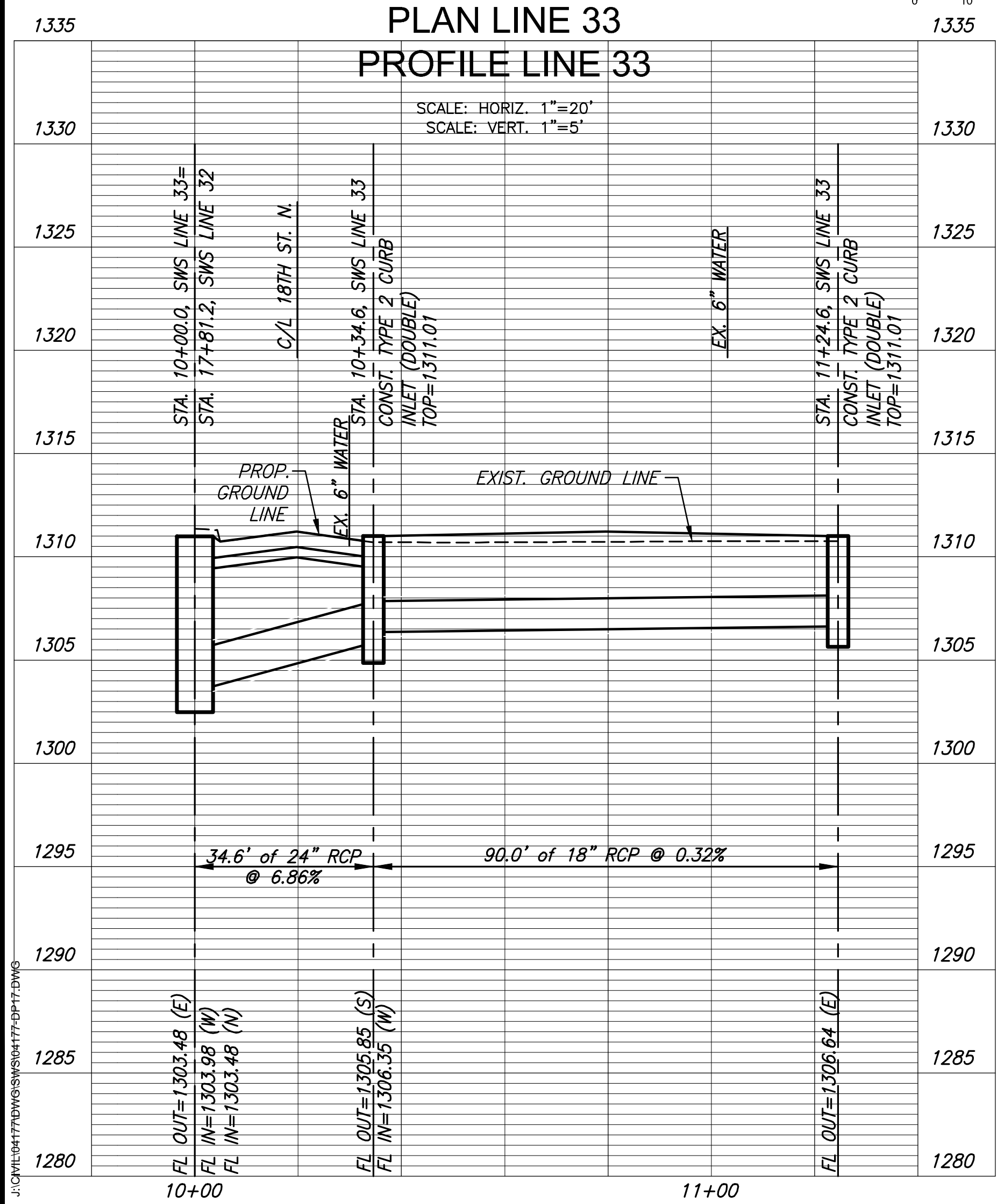
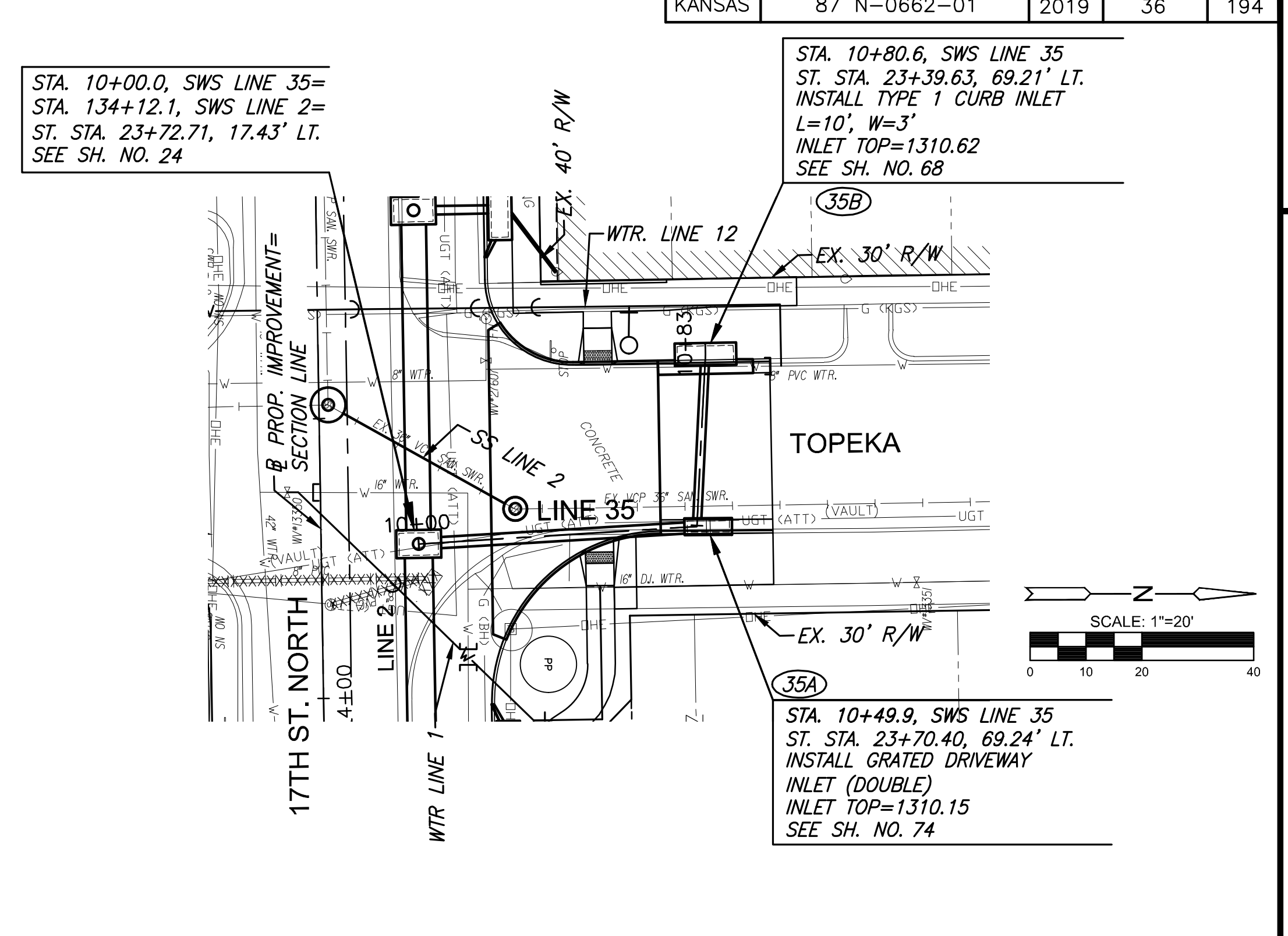
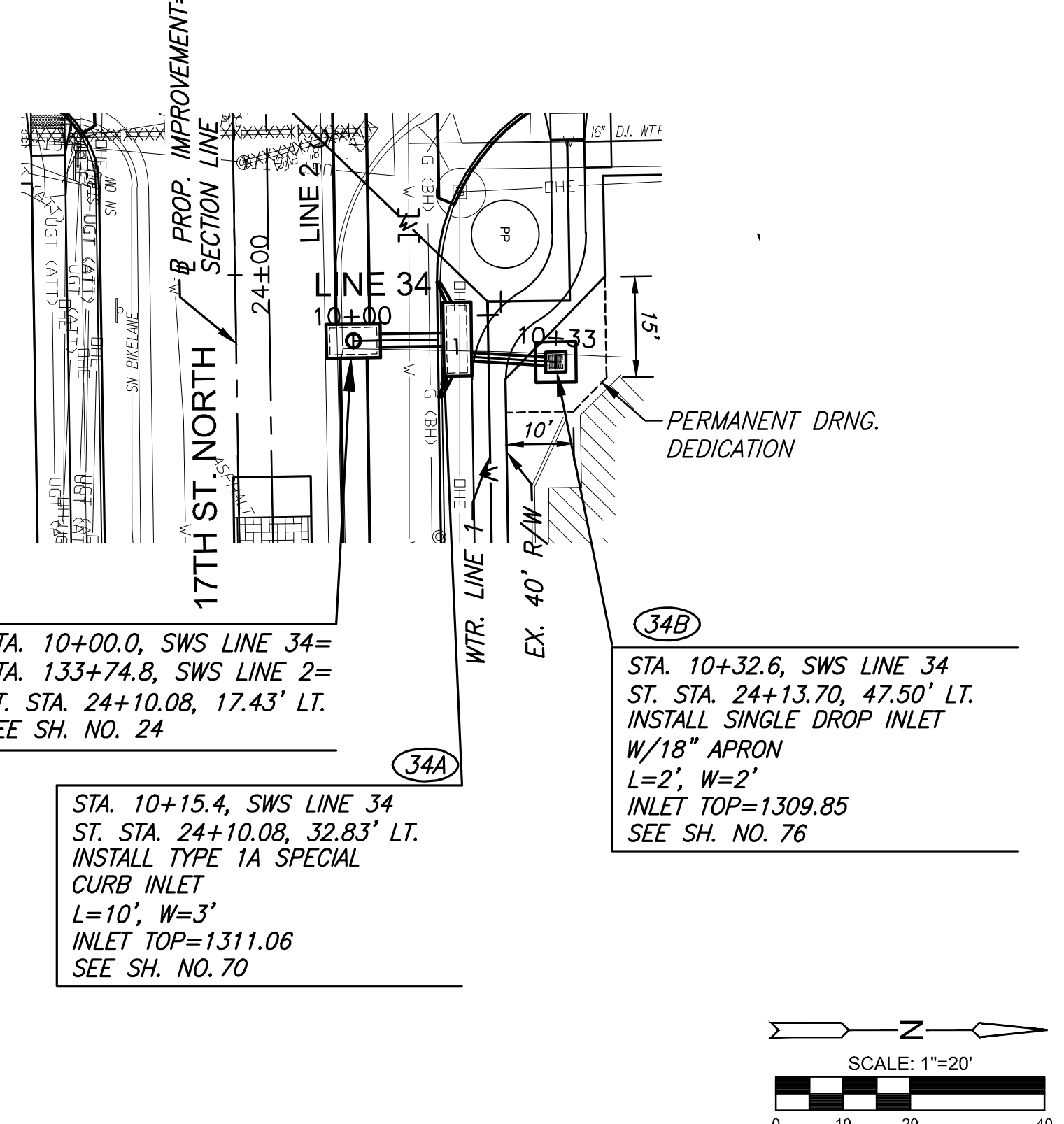
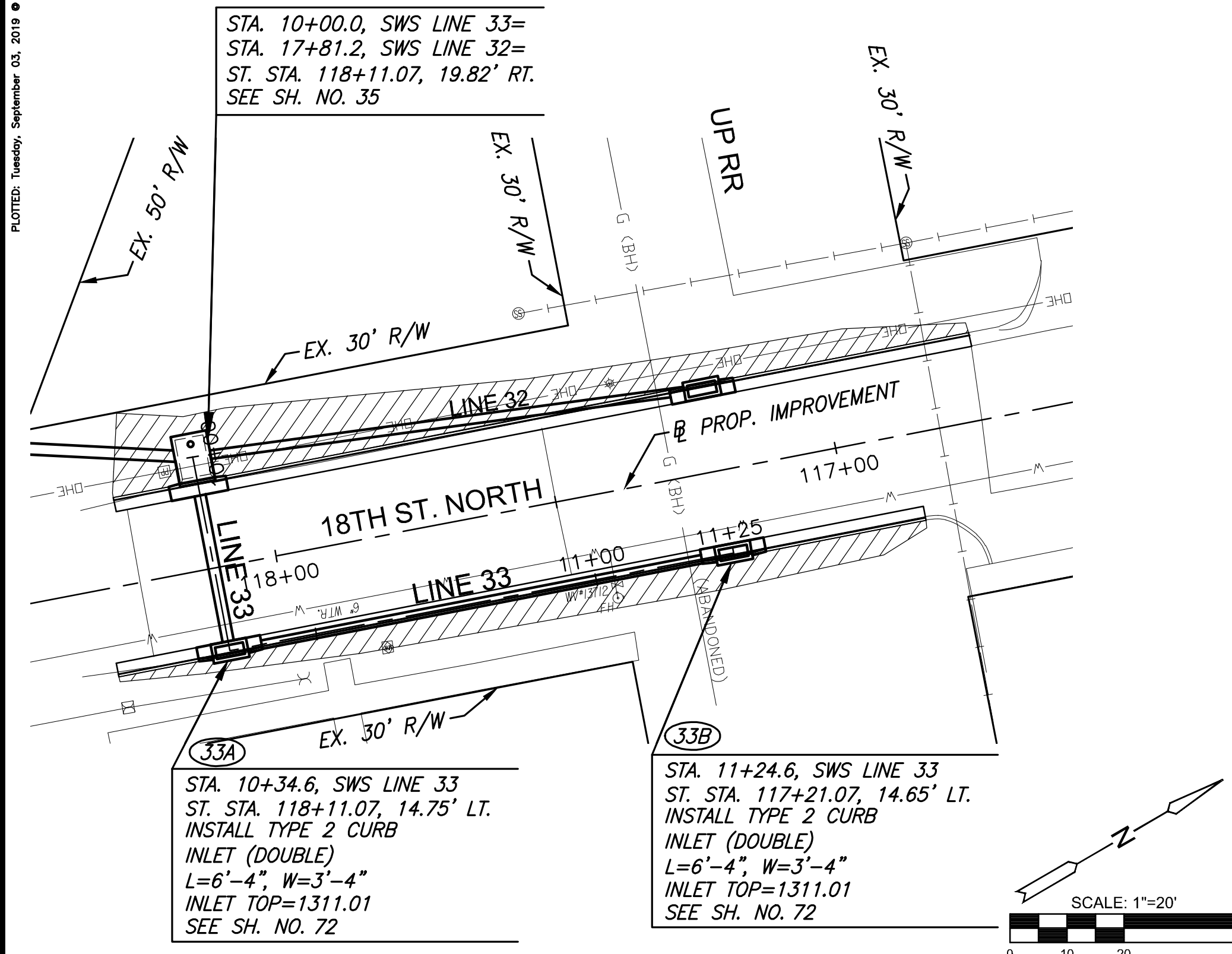


J:\CIVIL\B17\DWG\SWS\B17\017\017.DWG
 PLOTTED: Tuesday, September 03, 2019 @ 12:25PM

STATE	PROJECT NO.	YEAR	SHEET NO.	TOTAL SHEETS
KANSAS	87 N-0662-01	2019	36	194



STREET IMPROVEMENTS FOR
17TH ST - BROADWAY TO I-135
 FROM BROADWAY TO I-135

©2019
 MKEC Engineering
 All Rights Reserved
 www.mkec.com
 These drawings and their contents, including, but not limited to, all concepts, designs, & ideas are the exclusive property of MKEC Engineering (MKEC), and may not be used or reproduced in any way without the express consent of MKEC.

**STORM SEWER
 PLAN & PROFILE
 LINE 33, 34, & 35**

PROJECT NO.	87 N-0662-01	
DATE	8/30/2019	
SCALE	1"=20'	
DESIGNED	JRA	
DRAWN	WNJ	
CHECKED	JRA	
NO.	REVISION	DATE
SHEET NO.		
36 OF 194		