

STATE	PROJECT NO.	YEAR	SHEET NO.	TOTAL SHEETS
KANSAS	87 N-0615-01	2019	82	194



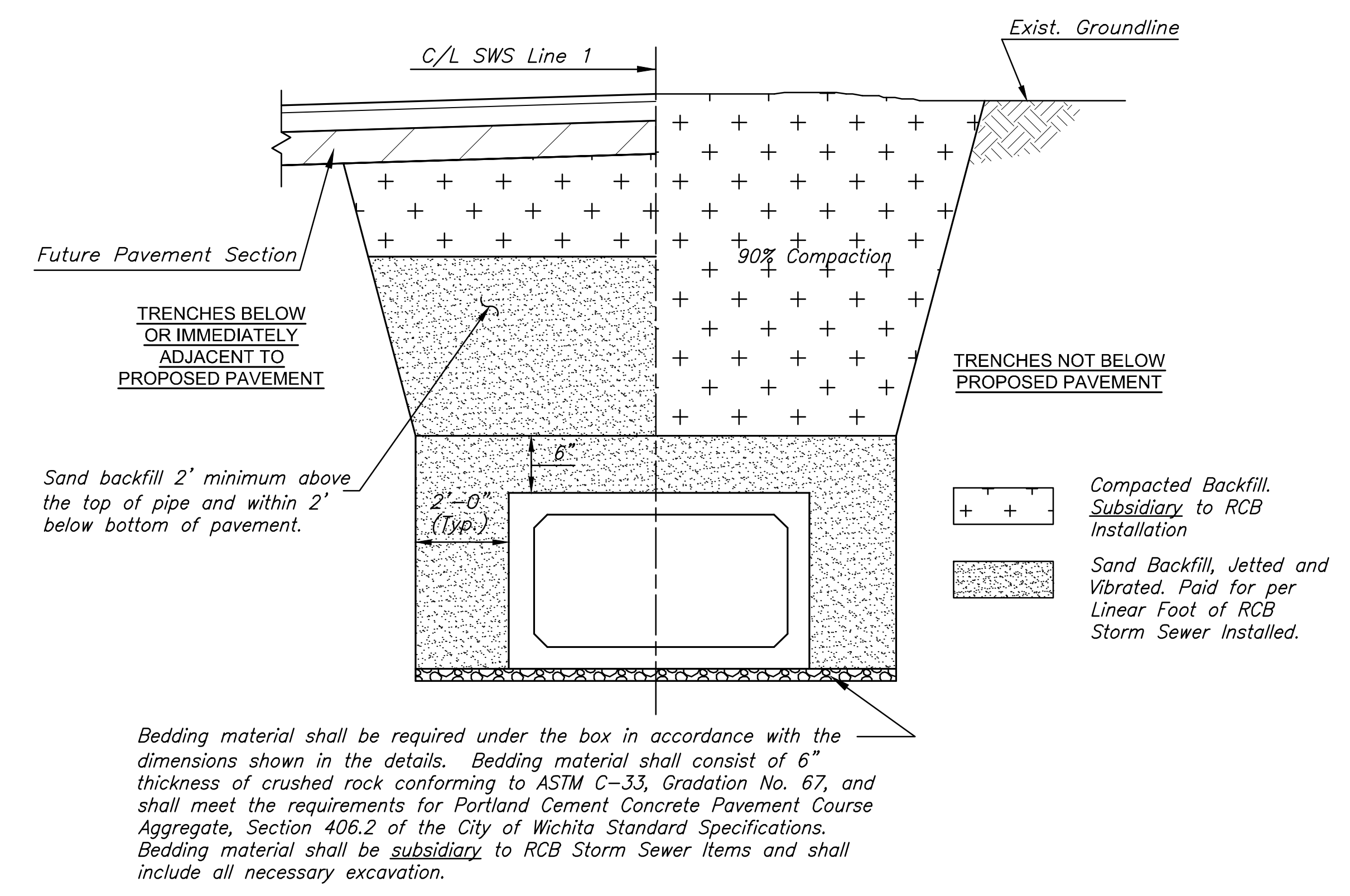
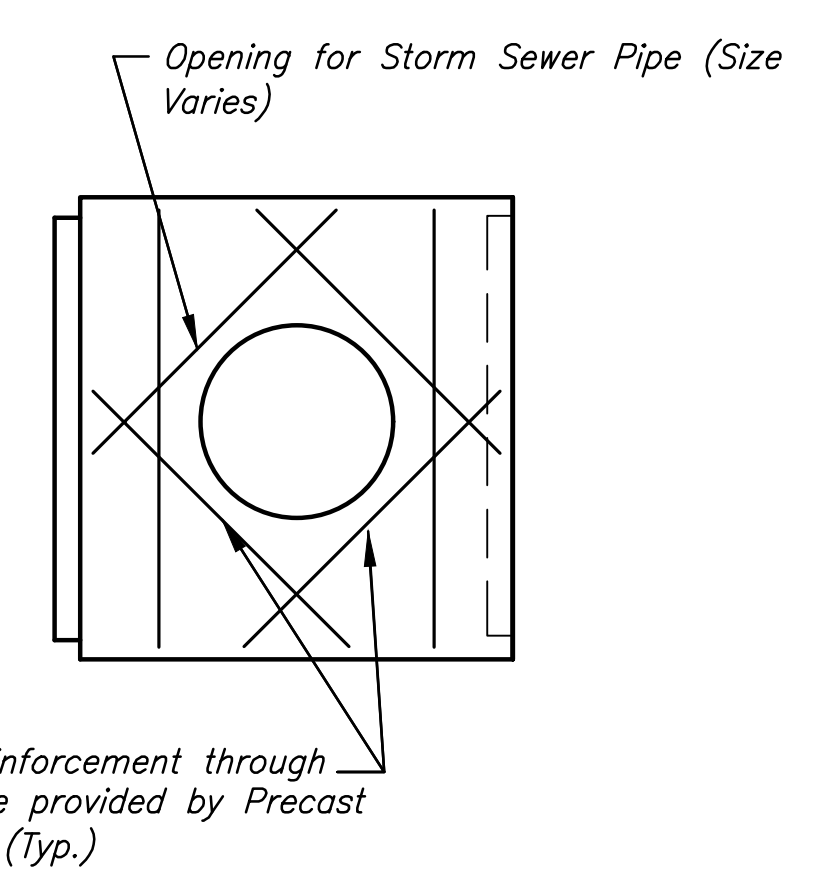
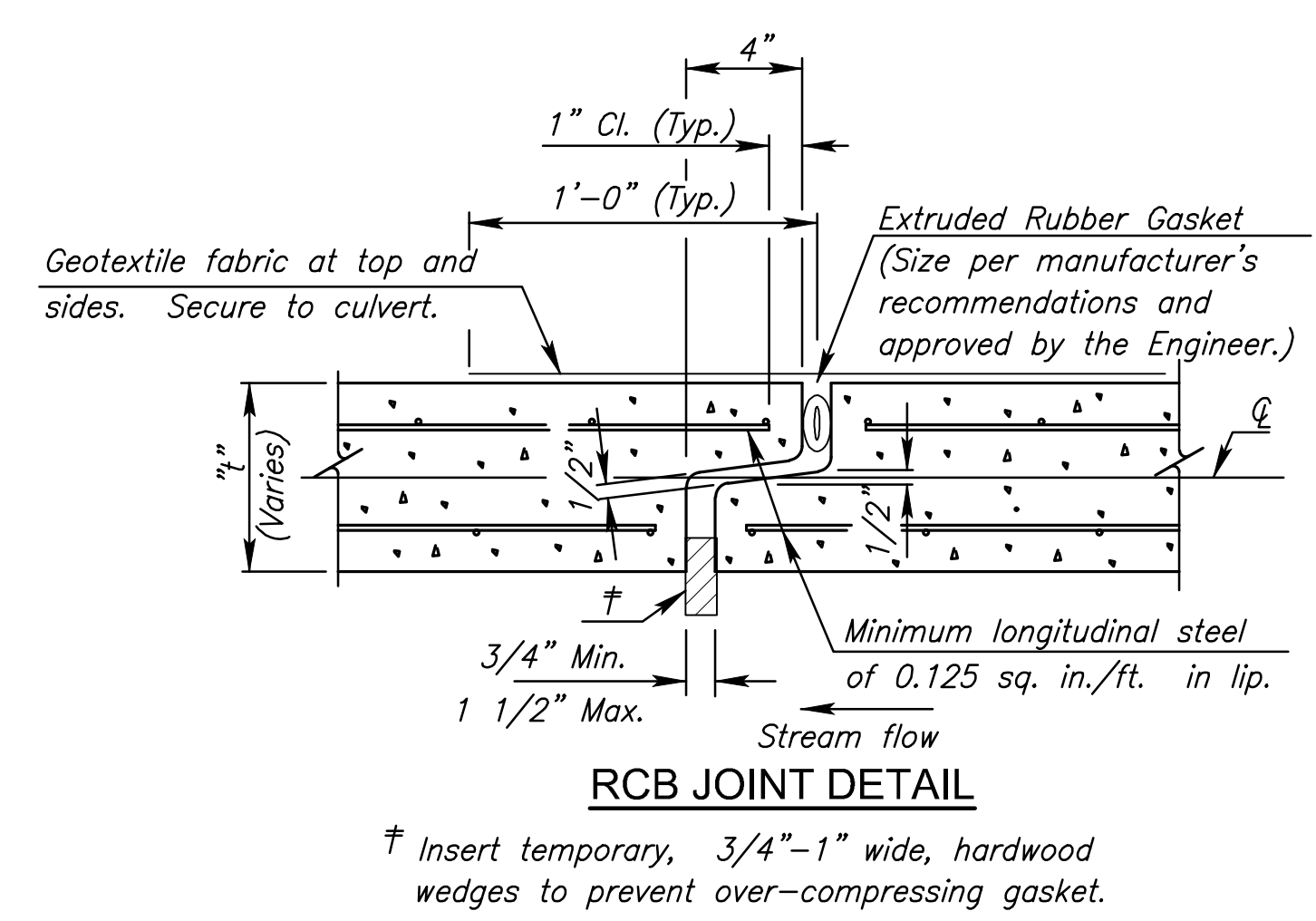
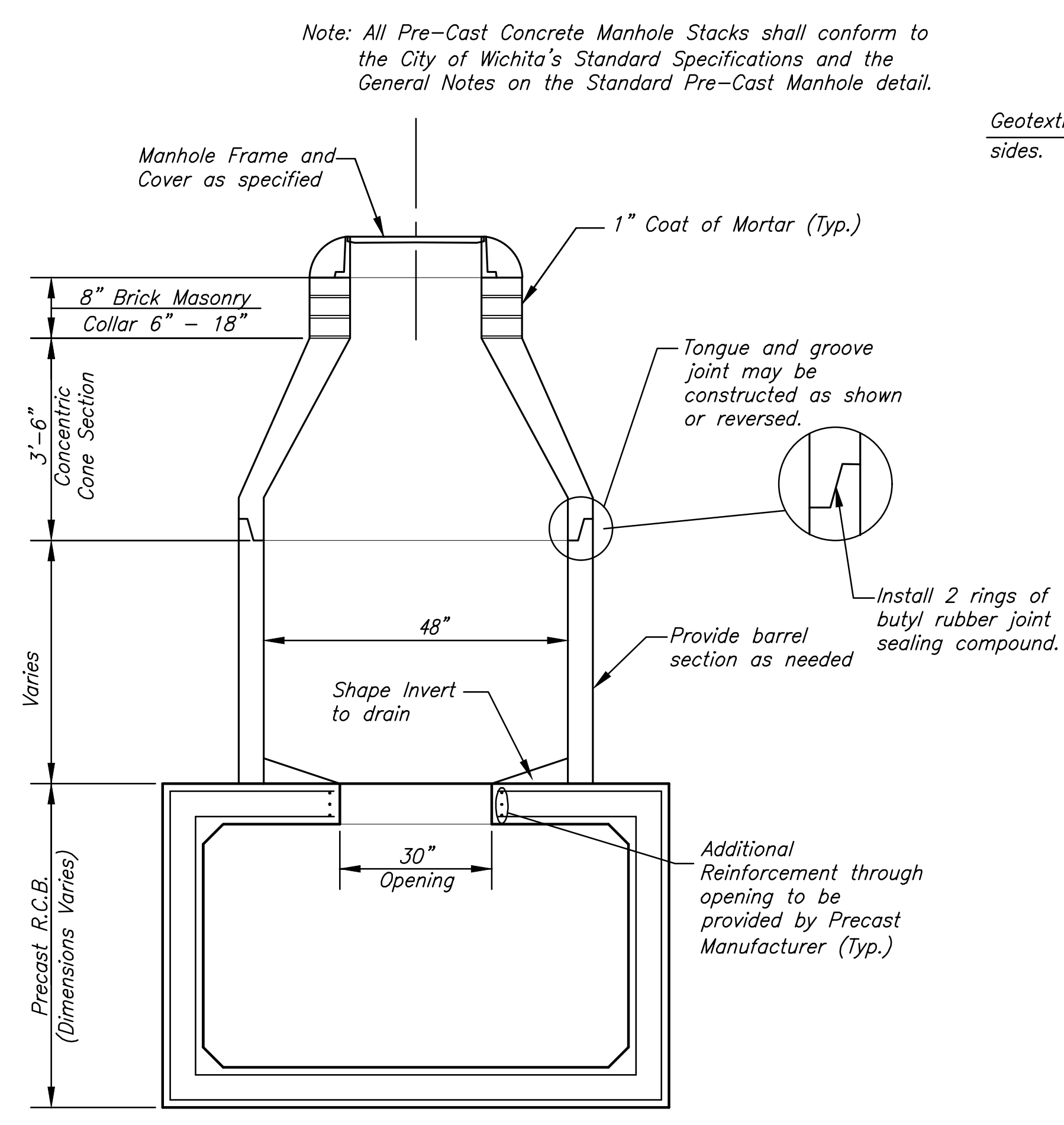
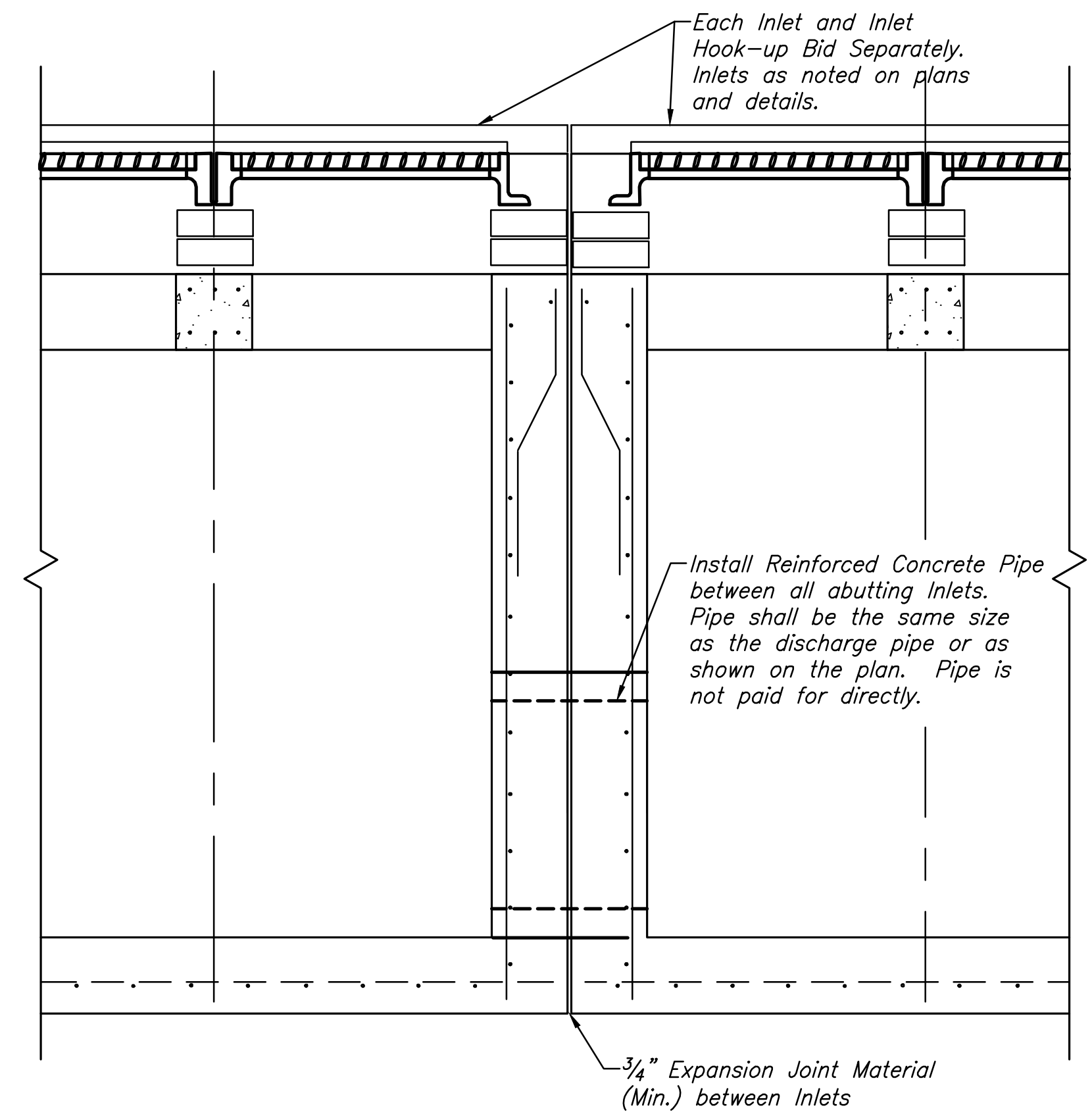
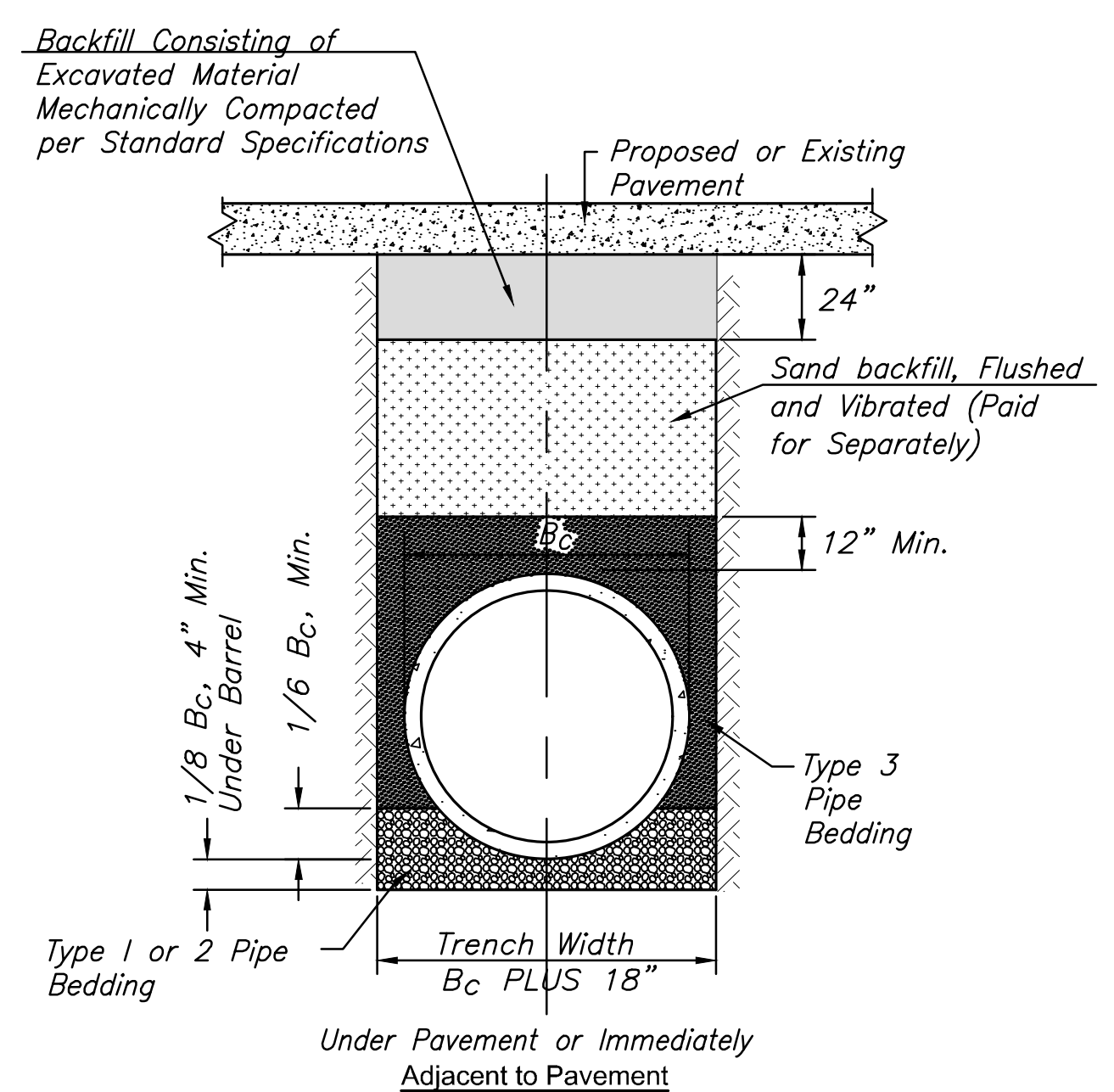
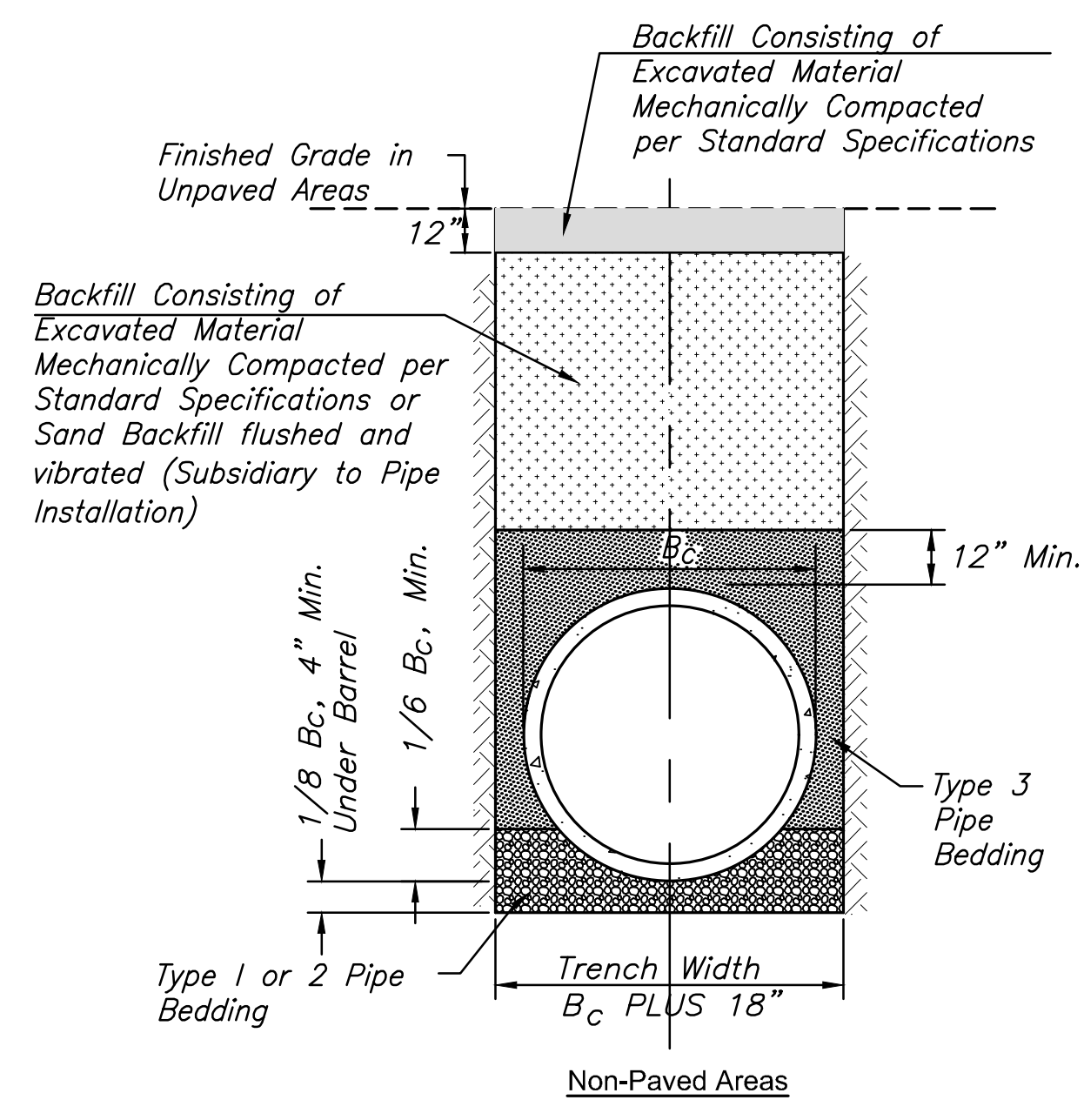
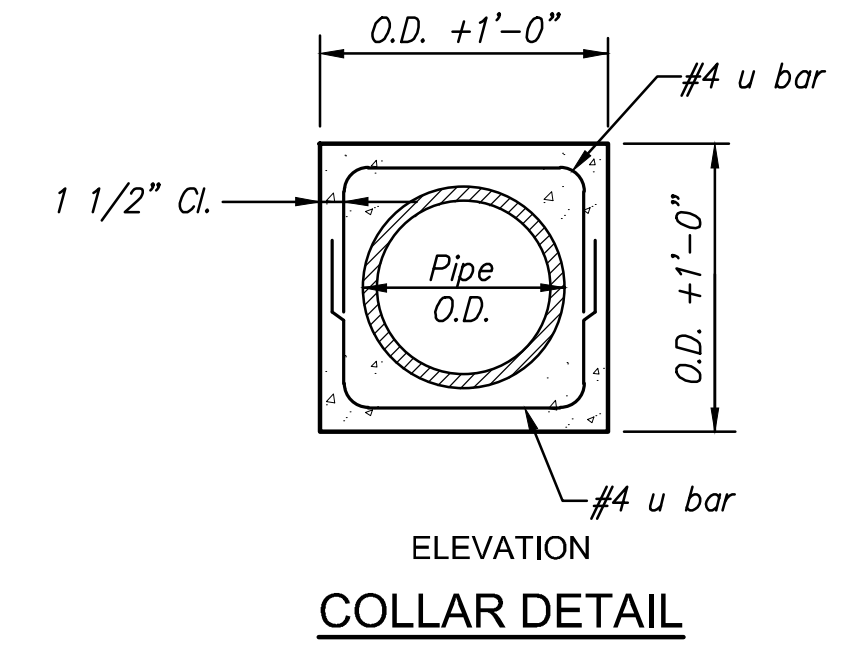
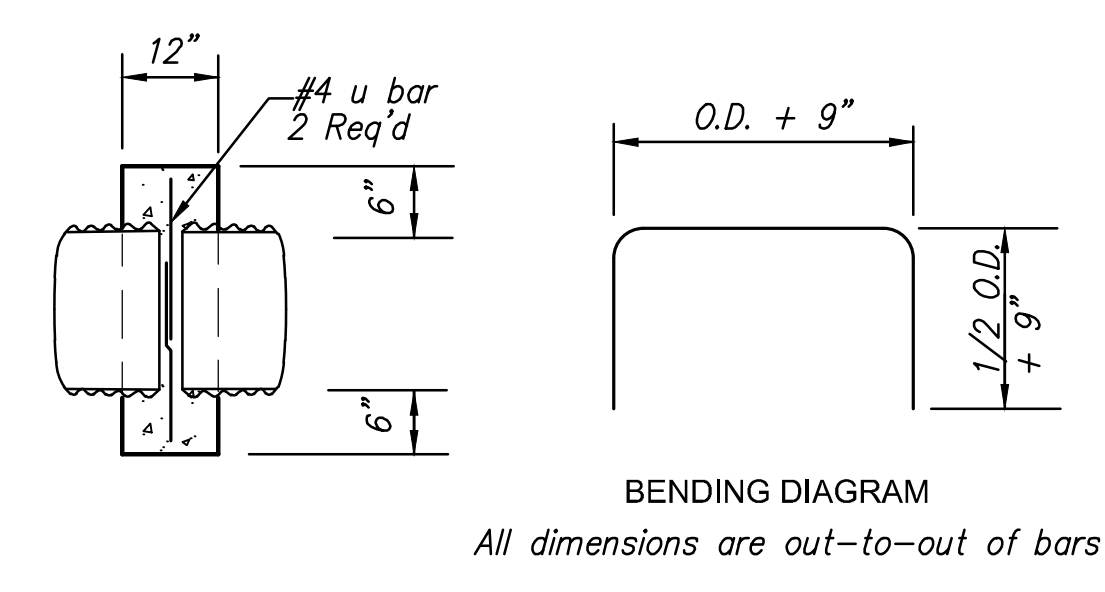
STREET IMPROVEMENTS FOR
17TH ST - BROADWAY TO I-135
FROM BROADWAY TO I-135

©2019 MKEC Engineering All Rights Reserved
www.mkec.com
These drawings and their contents, including, but not limited to, all concepts, designs, & ideas are the exclusive property of MKEC Engineering (MKEC), and may not be used or reproduced in any way without the express consent of MKEC.

MISCELLANEOUS STORM SEWER DETAILS

PROJECT NO.	87 N-0662-01	
DATE	8/30/2019	
SCALE	#"-#"	
DESIGNED	XXX	
DRAWN	XXX	
CHECKED	XXX	
NO.	REVISION	DATE
SHEET NO.		

PLOTTED: Tuesday, September 03, 2019 @ 02:50PM
J:\CIVIL\0417\DWG\SW\SWS004177.DWG - MISC SWS DTLS.DWG



See Sheet 72 for additional details pertaining to Precast Reinforced Concrete Boxes.