

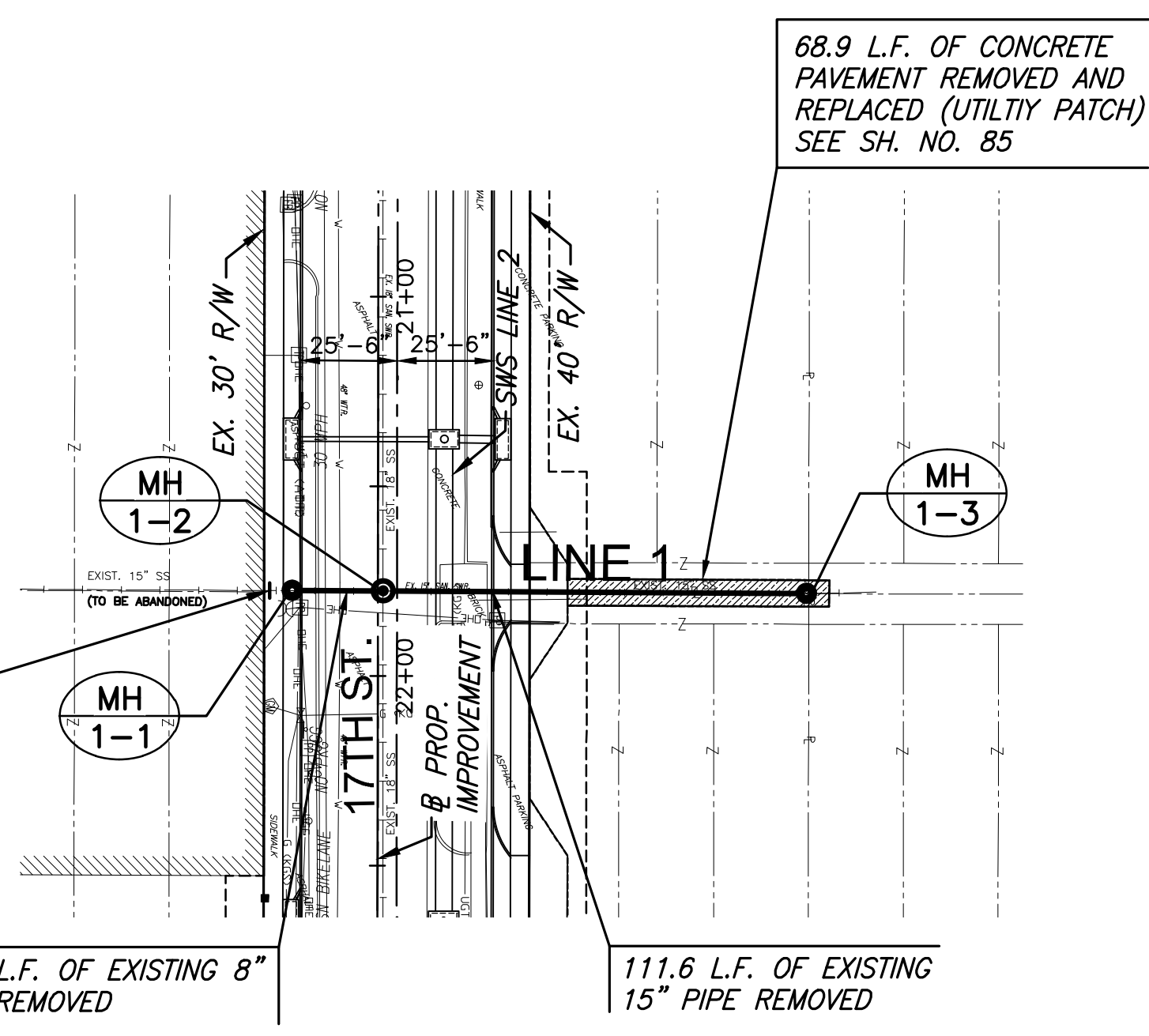
STATE	PROJECT NO.	YEAR	SHEET NO.	TOTAL SHEETS
KANSAS	87 N-0662-01	2019	87	194



PLOTTED: Tuesday, September 03, 2019 @ 03:07PM
 J:\CIVIL\1717\DWGS\SAN\1717-801.DWG

NOTE:
REROUTE EXISTING SERVICE LINE TO CONNECT TO PROPOSED 8" SEWER LINE. LOCATION OF EXISTING SERVICE LINE IS NOT KNOWN.

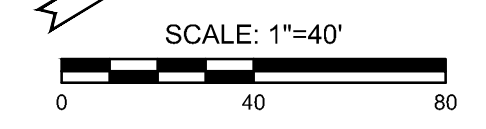
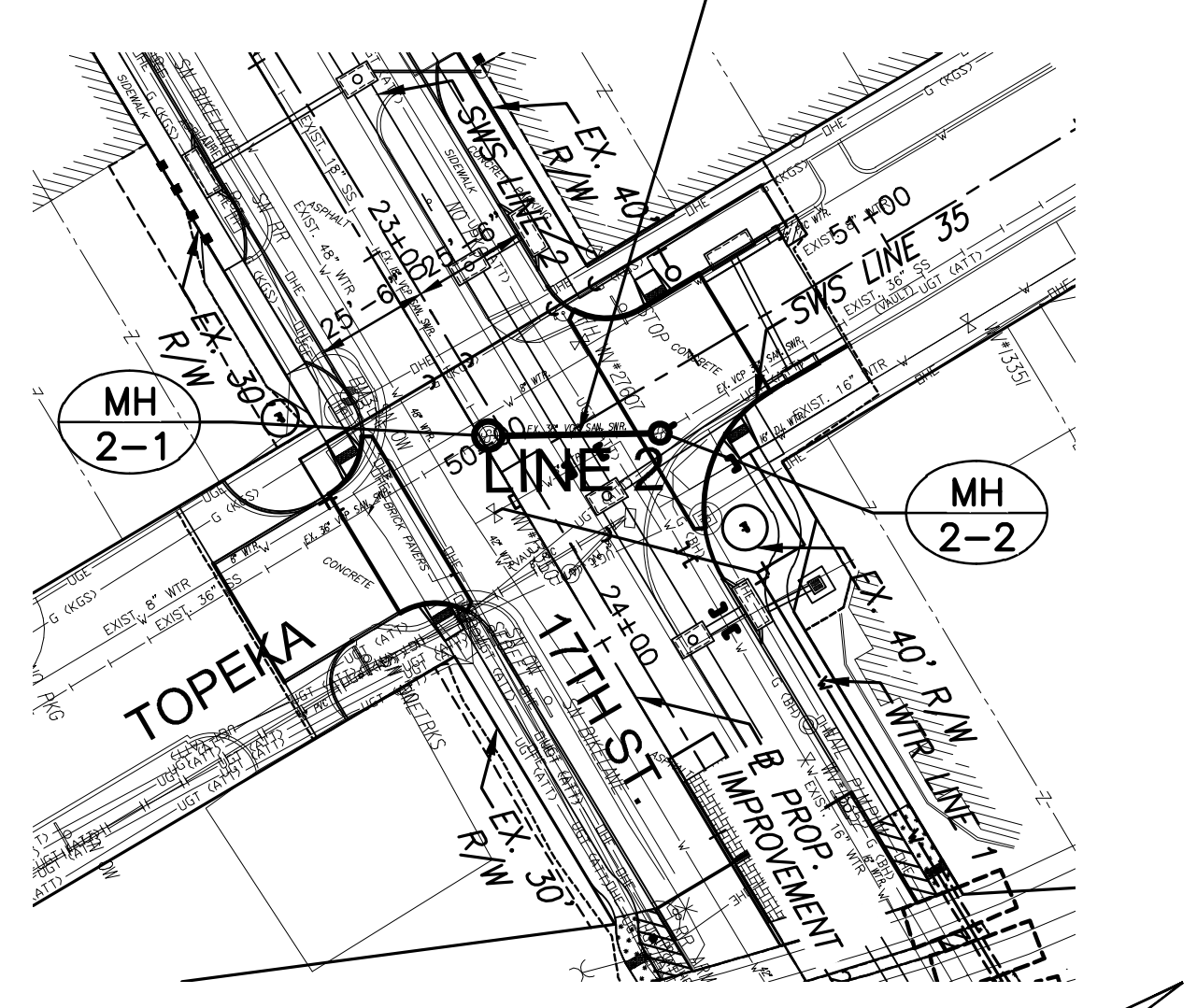
PLUG EXISTING 15" PIPE



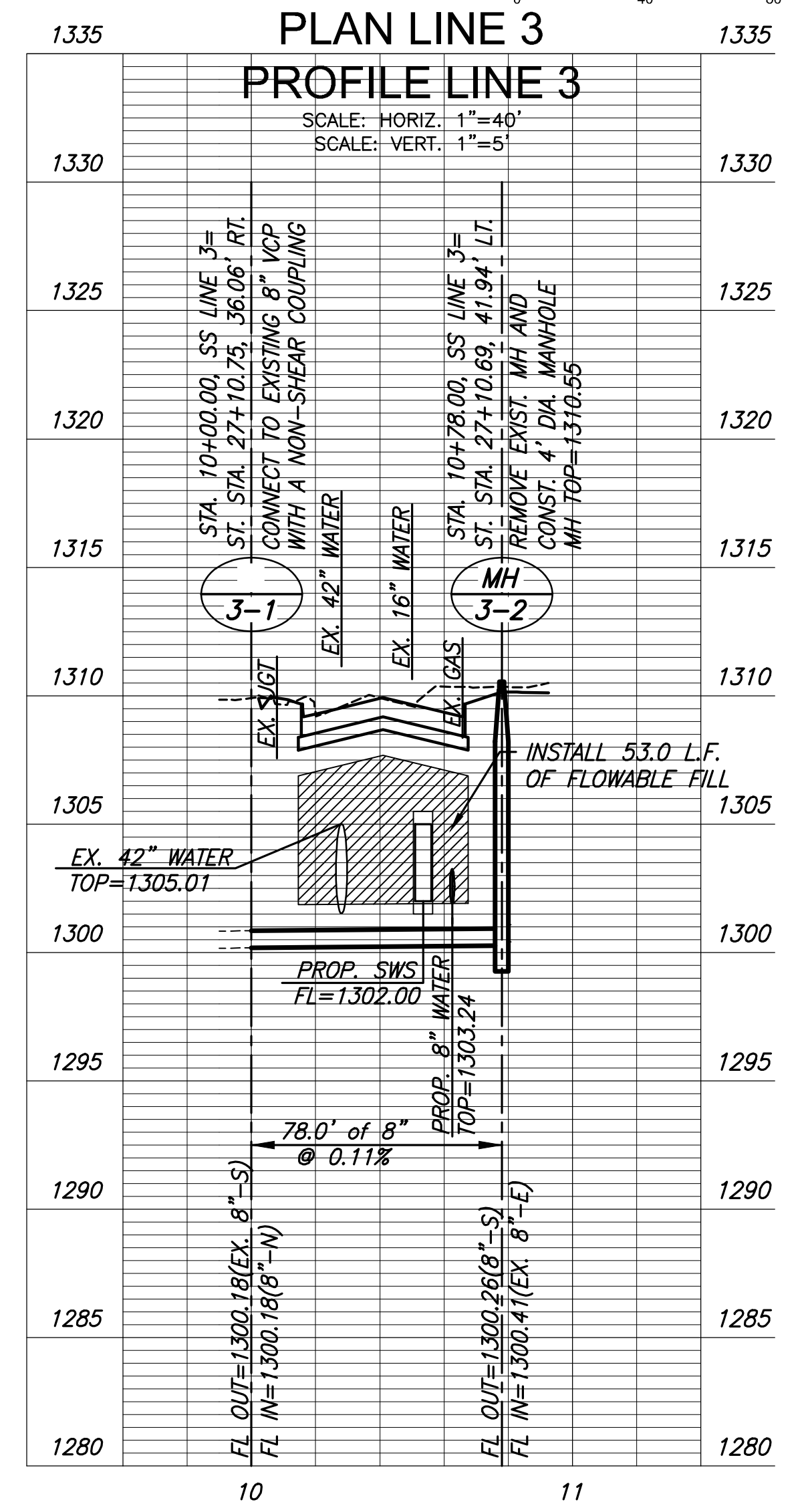
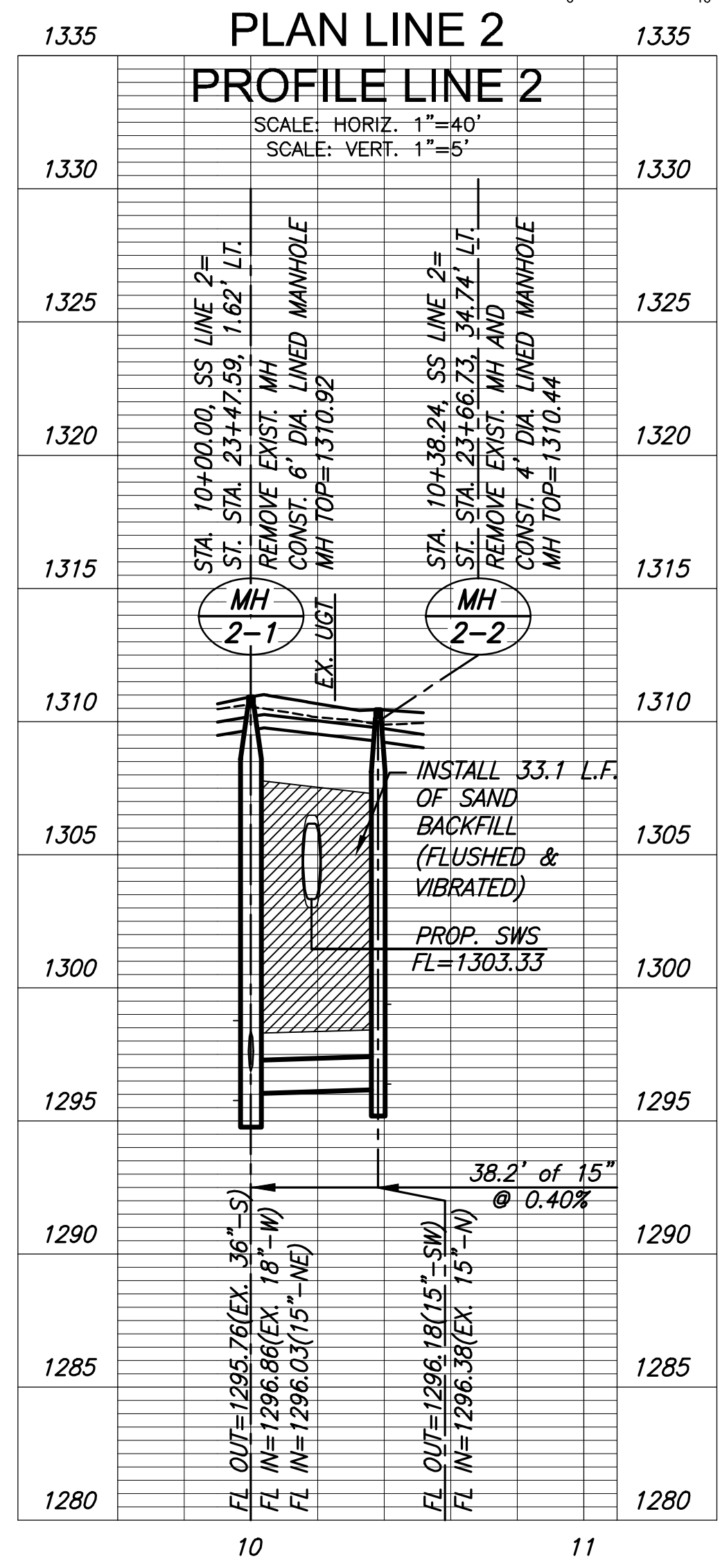
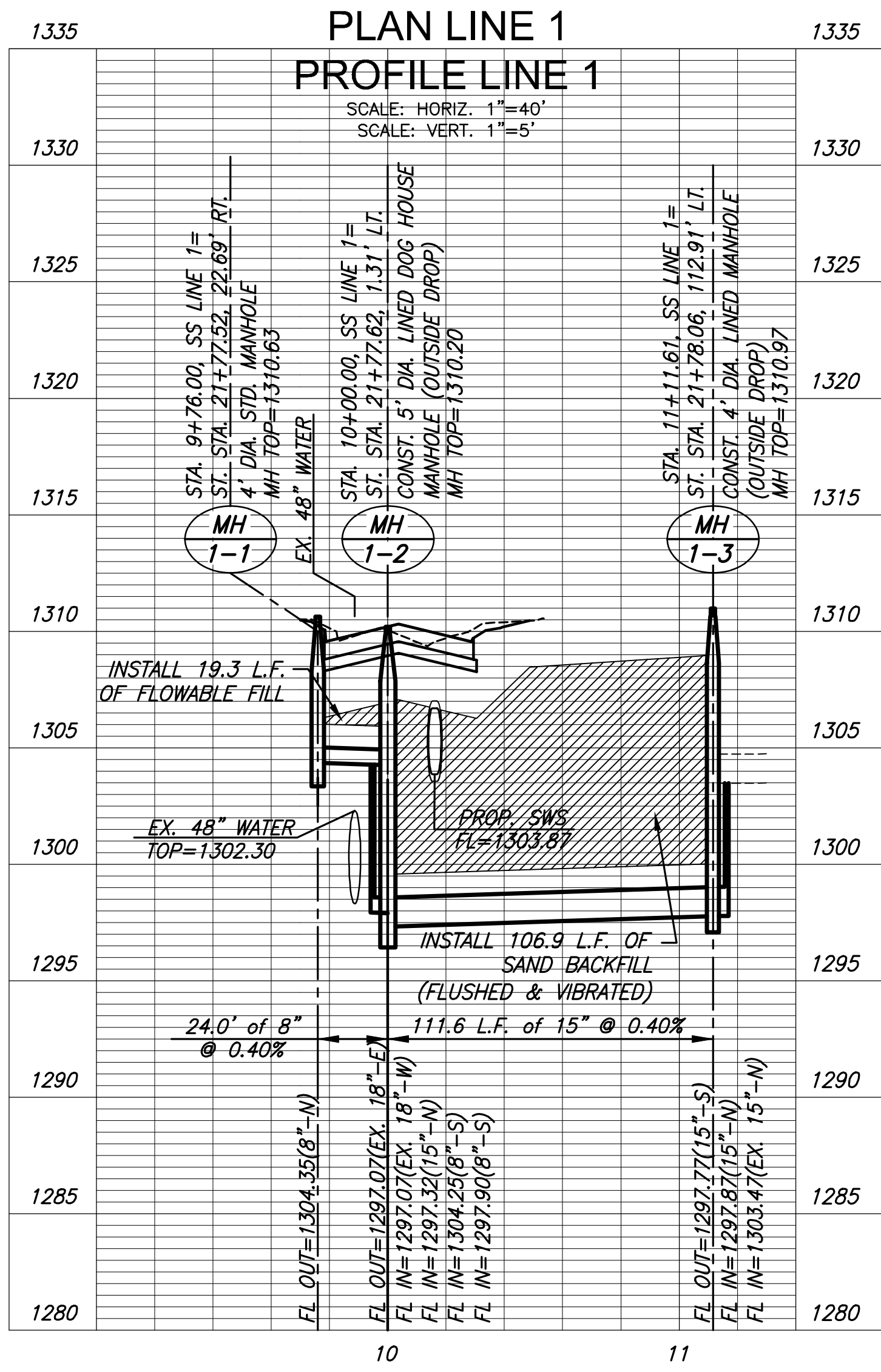
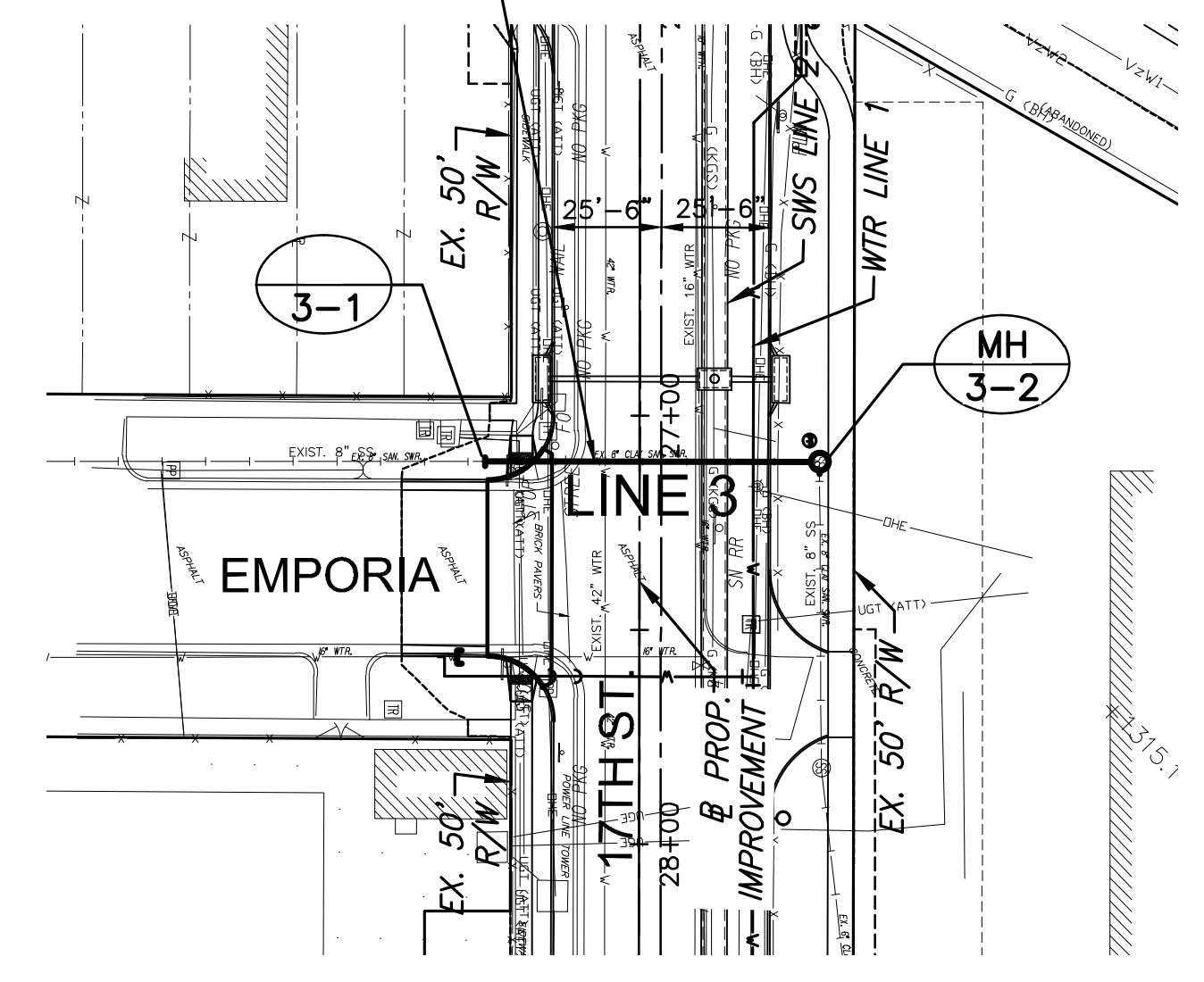
NOTE:
CONTRACTOR TO VERIFY THE DEPTH AND LOCATION OF EXISTING UTILITIES PRIOR TO CONSTRUCTION.



38.2 L.F. OF EXISTING 36" PIPE REMOVED



78.0 L.F. OF EXISTING 8" PIPE REMOVED



STREET IMPROVEMENTS FOR
17TH ST - BROADWAY TO I-135
 FROM BROADWAY TO I-135

©2019 MKEC Engineering All Rights Reserved
 These drawings and their contents, including, but not limited to, all concepts, designs, & ideas are the exclusive property of MKEC Engineering (MKEC), and may not be used or reproduced in any way without the express consent of MKEC.

SANITARY SEWER PLAN & PROFILE LINE 1, 2, & 3

PROJECT NO.	468-85229	
DATE	8/30/2019	
SCALE	1"=40'	
DESIGNED	DRAWN	CHECKED
JRA	WNJ	JRA

NO.	REVISION	DATE

SHEET NO. 87 OF 194