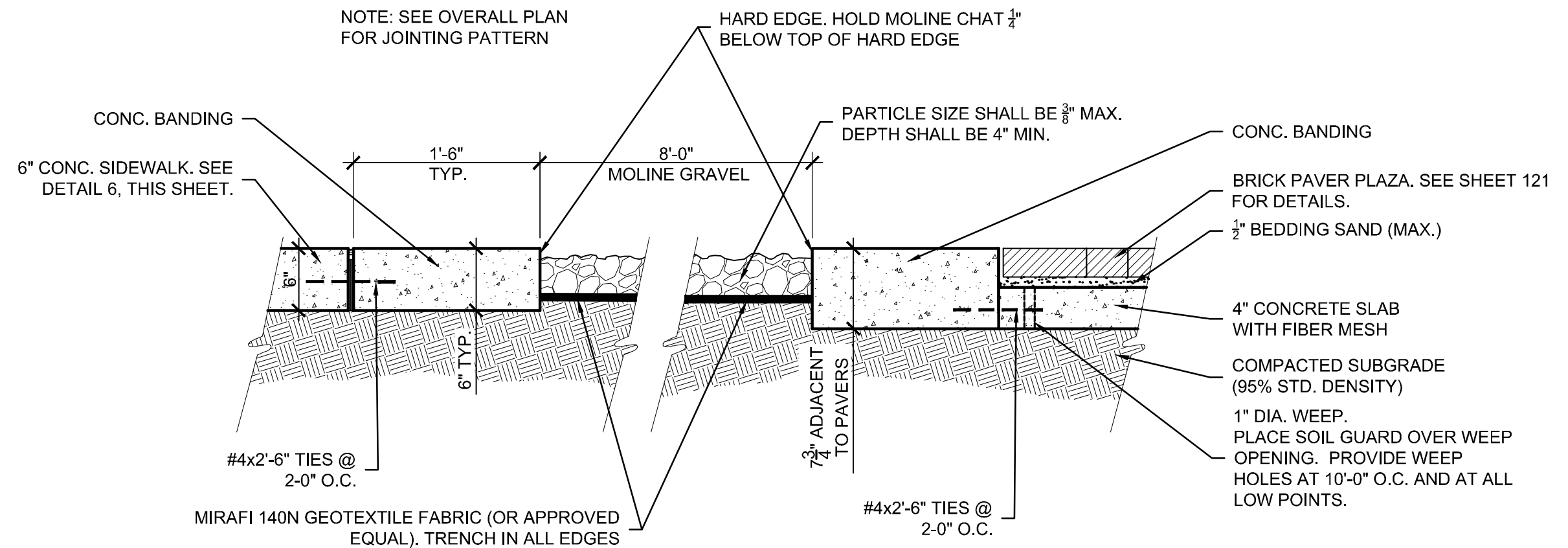
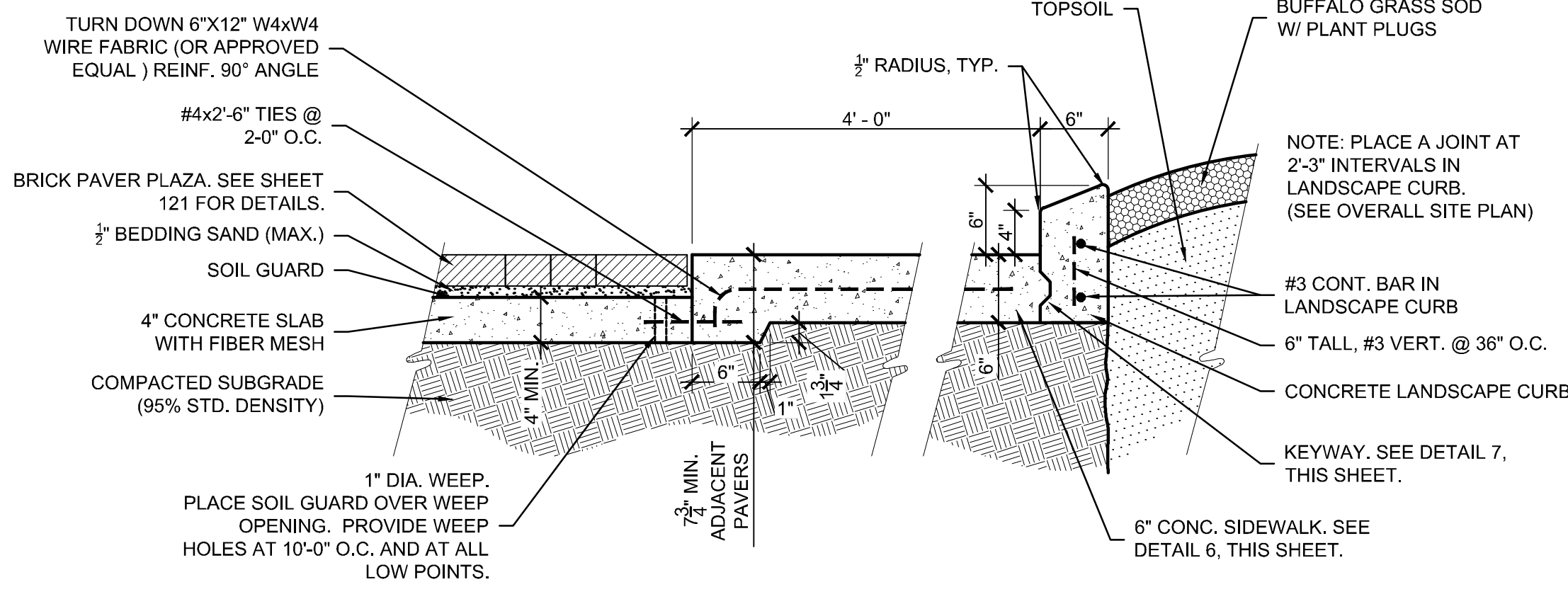


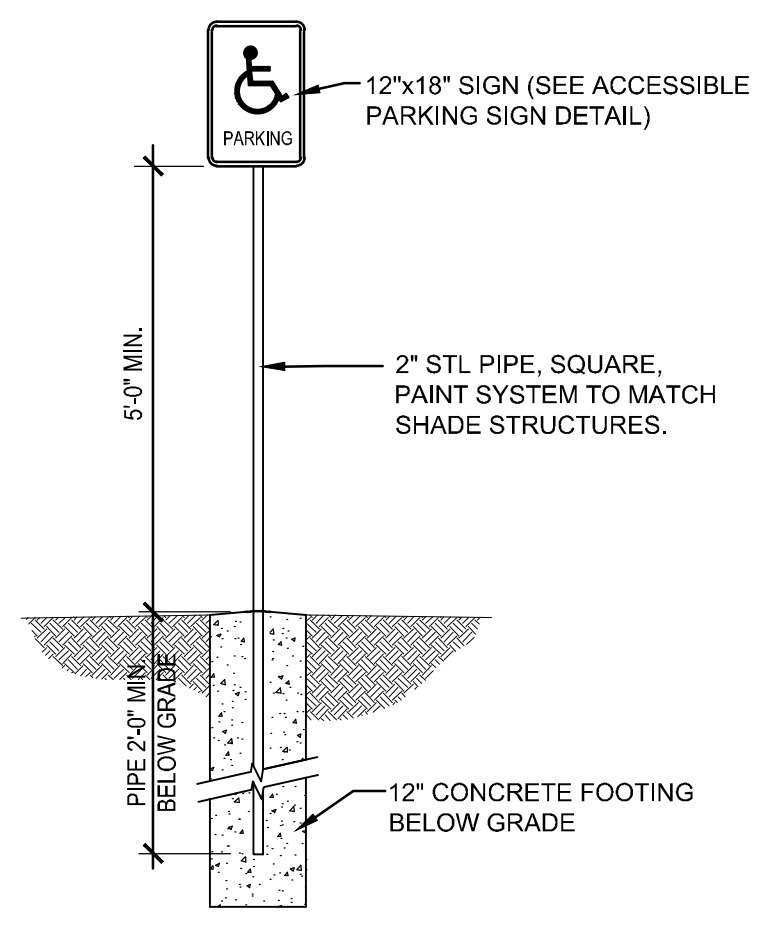
STATE	PROJECT NO.	YEAR	SHEET NO.	TOTAL SHEETS
KANSAS	87 N-0662-01	2019	125	194



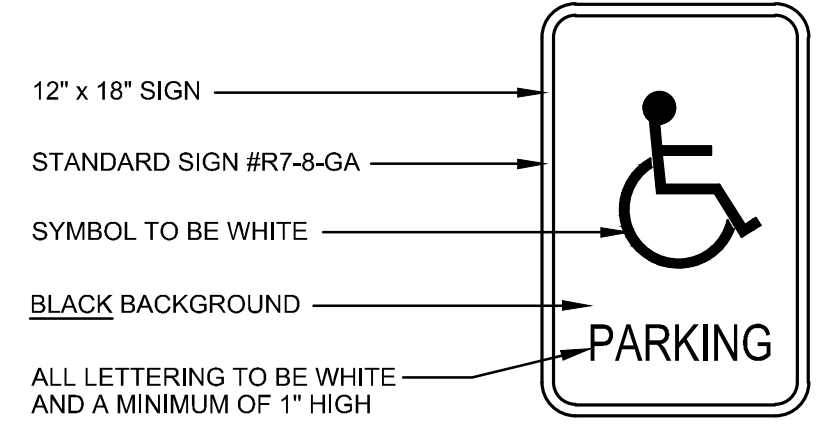
**1 SECTION 'A'**  
SCALE: 1" = 1'-0"



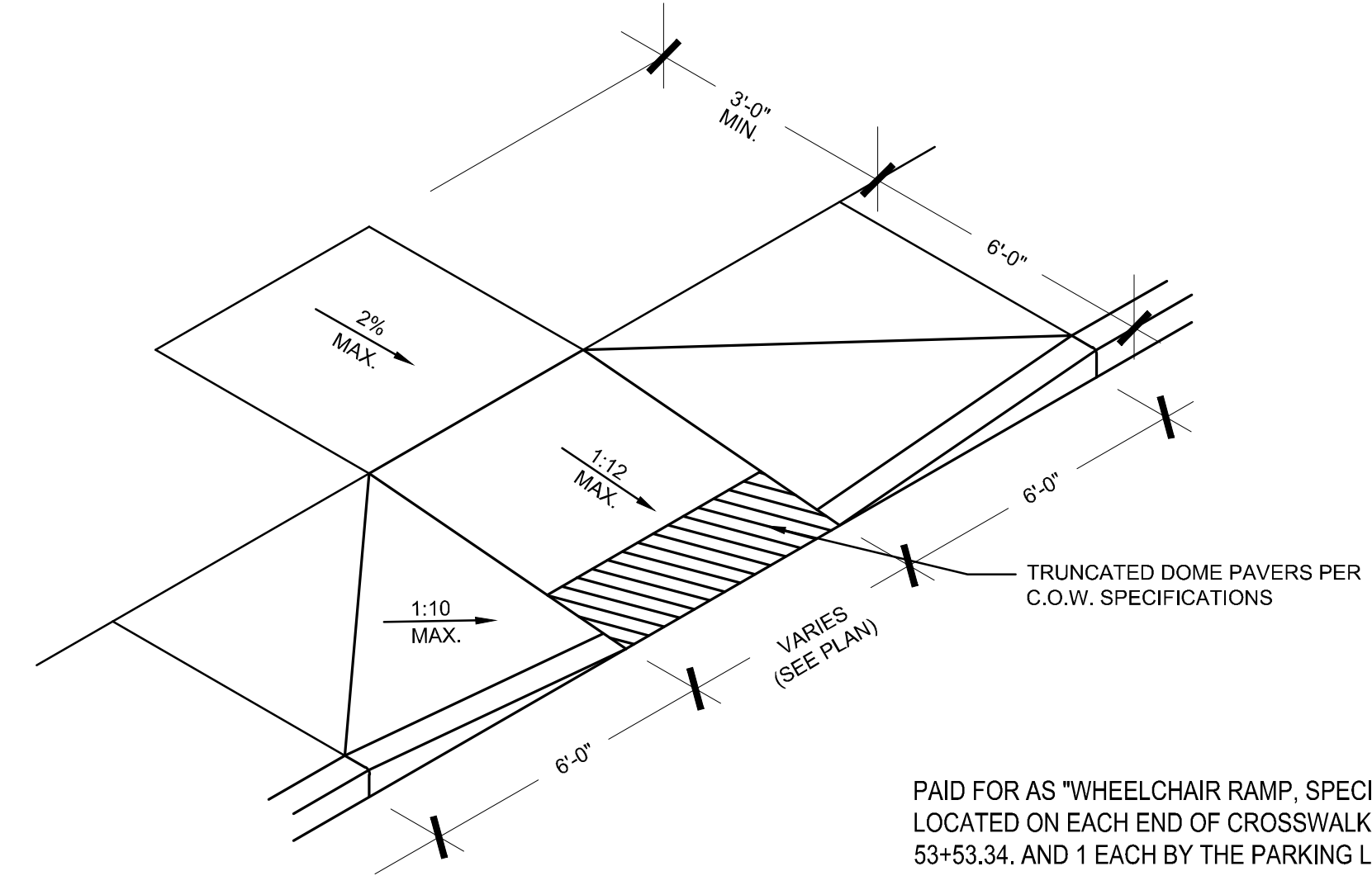
**2 SECTION 'B'**  
SCALE: 1" = 1'-0"



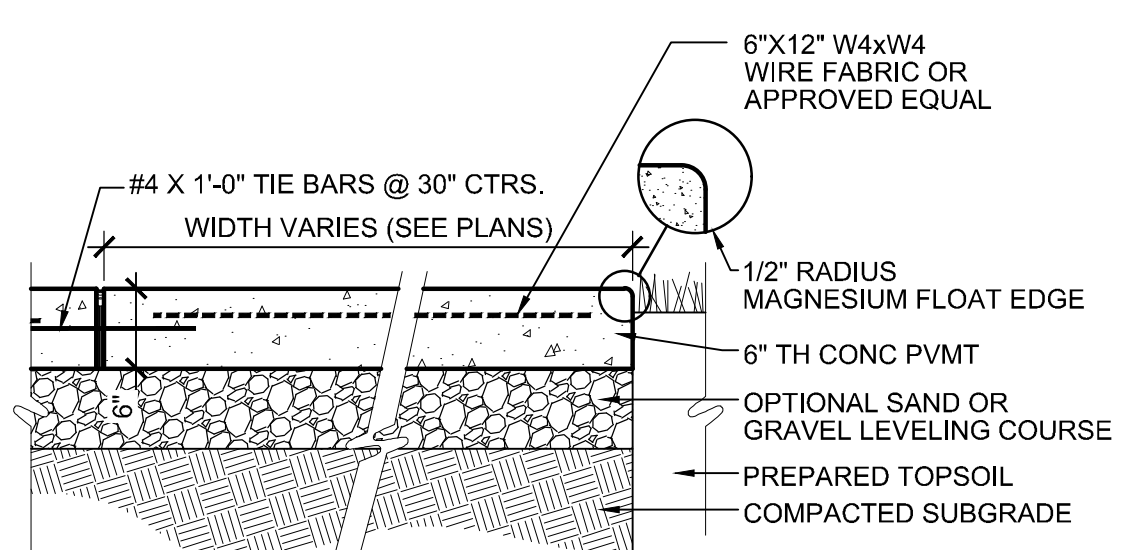
**3 ACCESSIBLE SIGN MOUNTING DETAIL**  
SCALE: N/A



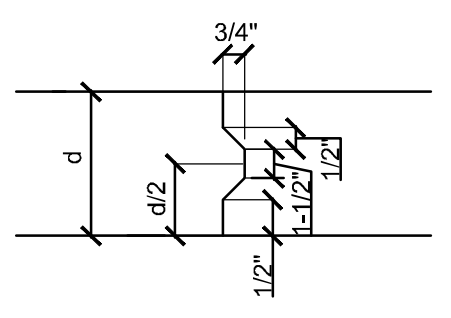
**4 ACCESSIBLE PARKING SIGN**  
SCALE: N.T.S.



**5 ACCESSIBLE RAMP**  
SCALE: N/A



**6 6\"/>**



**7 KEYWAY DETAIL**  
SCALE: 1-1/2" = 1'-0"



**KNIGHT TABLE ENSEMBLE**

DESCRIPTION: BACKLESS BENCHES WITH IPE WOOD SLATS  
 MANUFACTURER: FORMS+SURFACES  
 MODEL: STKNI-72NW (3 TOTAL)  
 STKNI-72NW-ADA (1 TOTAL)  
 COLOR/FINISH: ALUMINUM TEXTURE POWDER COAT  
 AVAILABLE AT FORMS+SURFACES  
 www.forms-surfaces.com

**STADIUM SEATS**

DESCRIPTION: BLUE STADIUM-STYLE FOLDING SEATS  
 QUANTITY: TWO PAIRS OF THREE (6 SEATS TOTAL)  
 ANCHORING: SEATS SHALL BE ANCHORED TO THE CONCRETE SURFACE WITH HILTI KH-EZ (1/2" MIN. DIAMETER) X 4 1/2" EMBED  
 SEATS ARE STORED IN THE UMPIRE BUILDING AT MCADAMS PARK AND ARE AVAILABLE FOR USE ON THIS PROJECT.  
 CONTACT: LARRY HOETMER 316.268.4179

STREET IMPROVEMENTS FOR  
**17TH ST - BROADWAY TO I-135**  
 FROM BROADWAY TO I-135

©2016 MKEC Engineering All Rights Reserved www.mkec.com  
 These drawings and their contents, including, but not limited to, all concepts, designs, & ideas are the exclusive property of MKEC Engineering (MKEC), and may not be used or reproduced in any way without the express consent of MKEC.

**PLAZA DETAILS 2**

PROJECT NO.	87 N-0662-01
DATE	8/30/2019
SCALE	AS SHOWN
DESIGNED	RKO
DRAWN	RKO
CHECKED	JAG

NO.	REVISION	DATE

SHEET NO.  
125 OF 194

PLOTTED: Tuesday, September 03, 2019 @ 03:58PM  
 J:\CIVIL\0417\DWG\AESHTHETS\SITE\_DETAILS.DWG