

STATE	PROJECT NO.	YEAR	SHEET NO.	TOTAL SHEETS
KANSAS	87 N-0662-01	2019	128	194



STREET IMPROVEMENTS FOR
17TH ST - BROADWAY TO I-135
FROM BROADWAY TO I-135

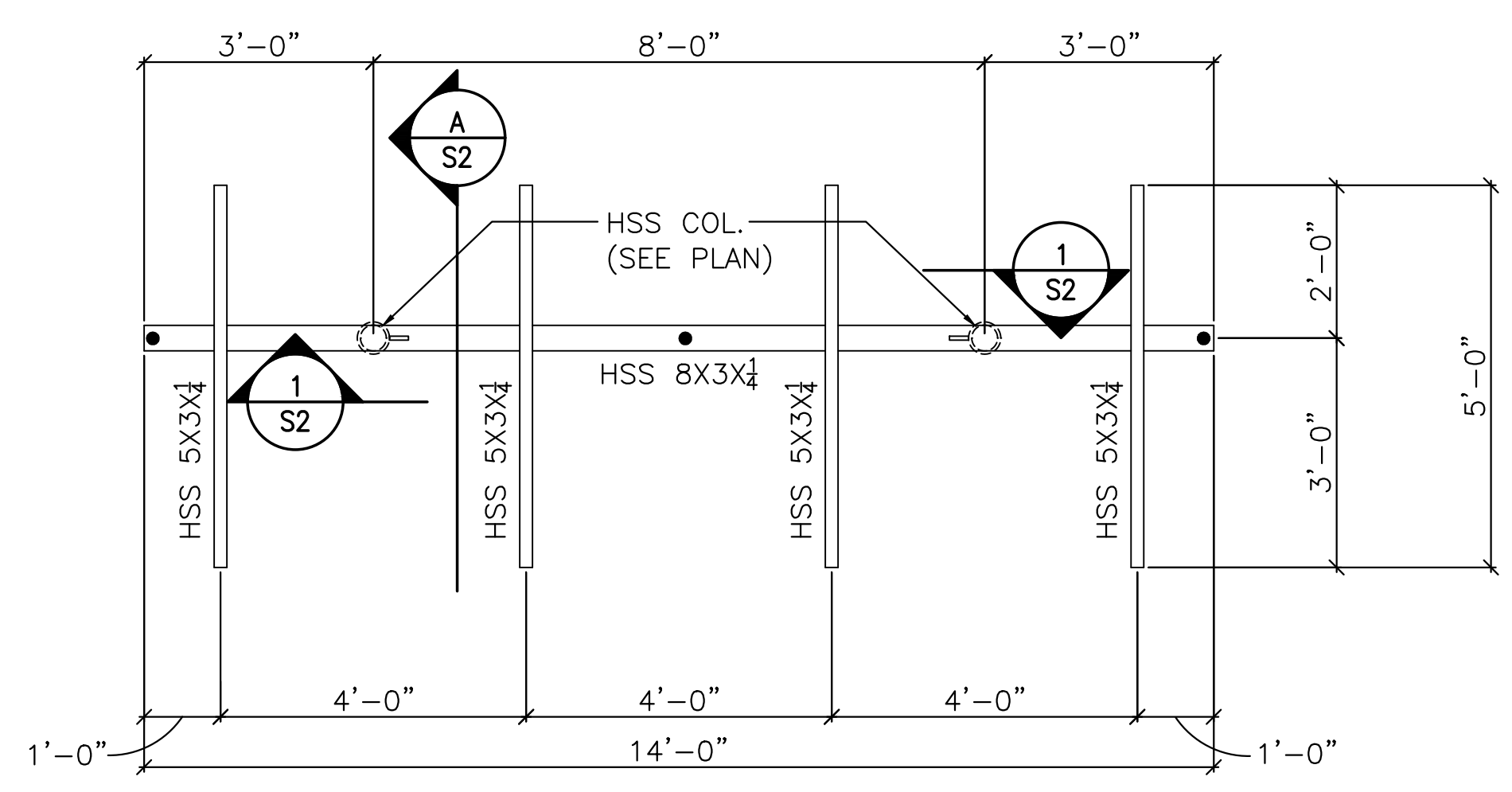
©2016 MKEC Engineering All Rights Reserved www.mkec.com
These drawings and their contents, including, but not limited to, all concepts, designs, & ideas are the exclusive property of MKEC Engineering (MKEC), and may not be used or reproduced in any way without the express consent of MKEC.

SMALL SHADE STRUCTURE DETAILS - S2

PROJECT NO.	87 N-0662-01
DATE	8/30/2019
SCALE	AS NOTED
DESIGNED	WH
DRAWN	MLC
CHECKED	RR

NO.	REVISION	DATE

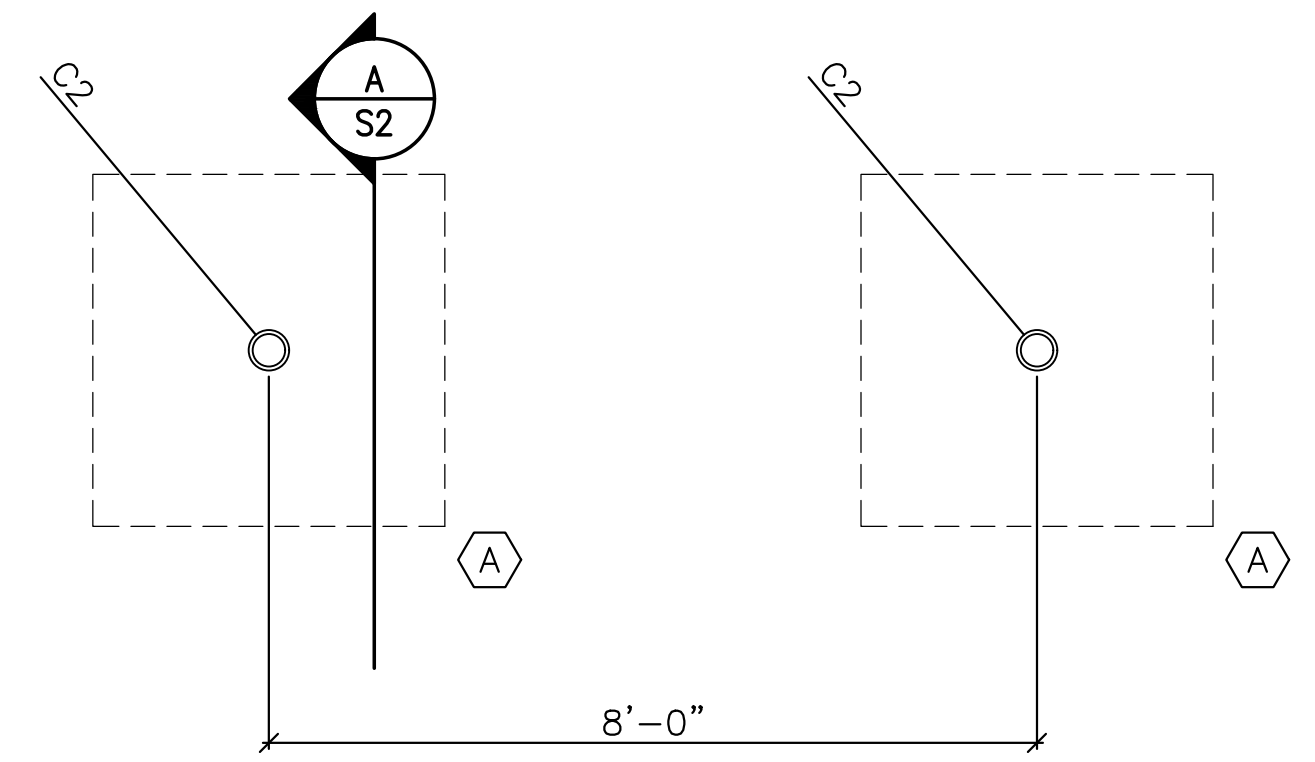
SHEET NO.
128 OF 194



SMALL SHADE STRUCTURE FRAMING PLAN

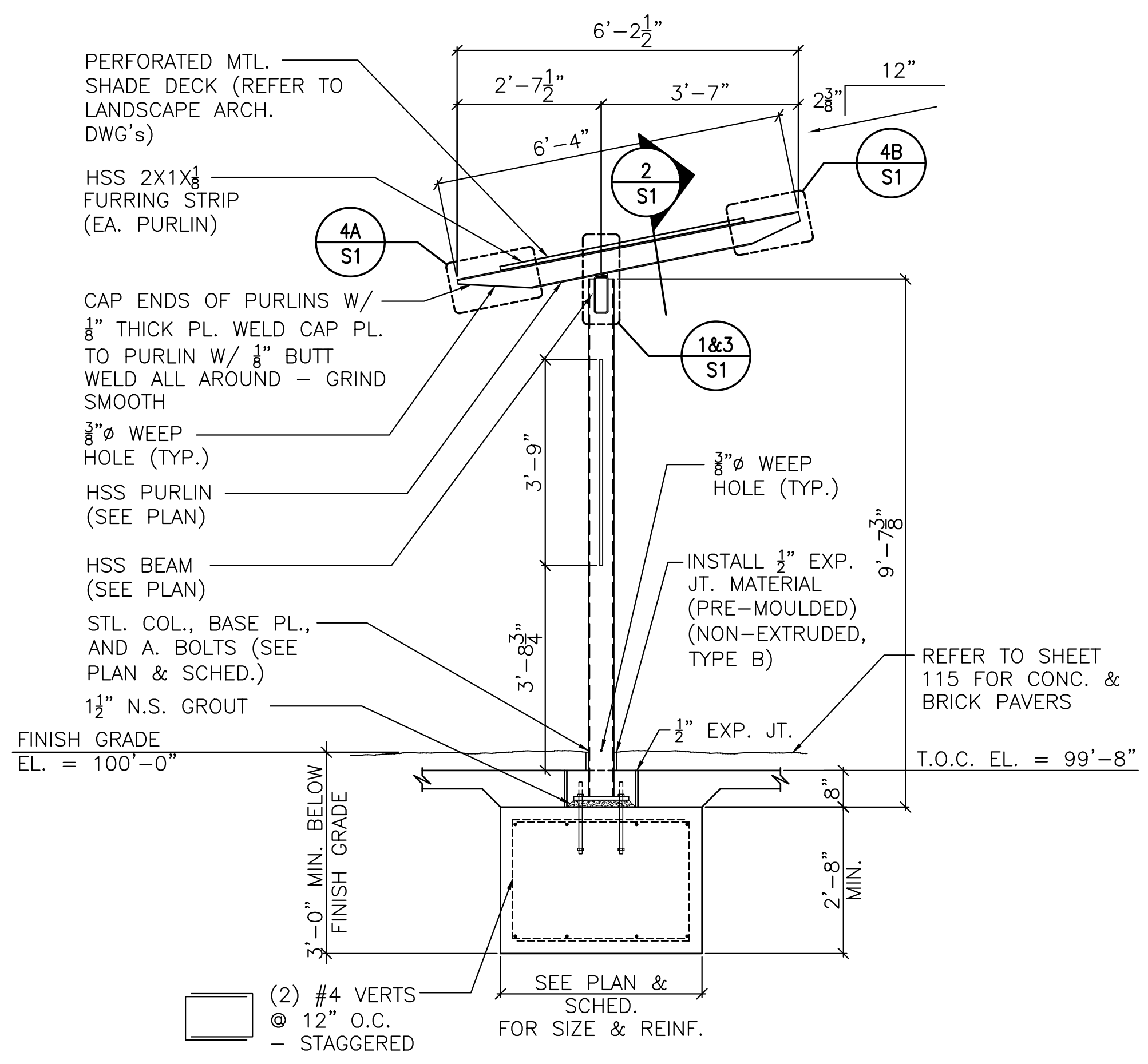
SCALE: 1/2" = 1'-0" (2) STRUCTURES REQ'D

- NOTE:
- = 3/8" Ø WEEP HOLE IN BOTTOM OF BEAM.
 - REFER TO SHEET 111 FOR LOCATIONS.
 - INSTALL BIRD-X NARROW STAINLESS STEEL BIRD SPIKES OR APPROVED EQUAL ON TOP OF BEAMS BETWEEN PURLINS. INSTALL PER MANUFACTURER'S RECOMMENDATIONS.



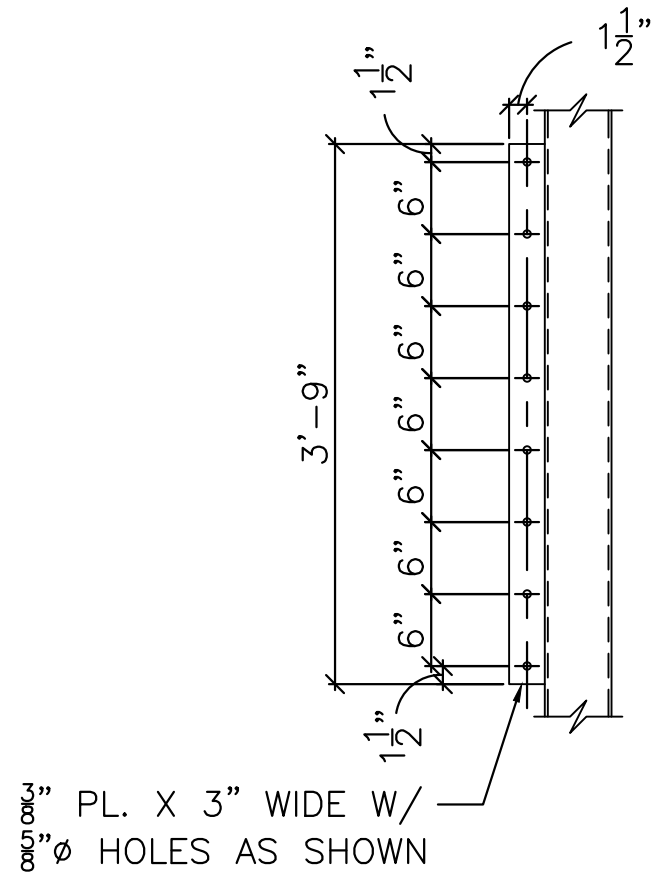
SMALL SHADE STRUCTURE FTG. & FNDN. PLAN

SCALE: 1/2" = 1'-0" (2) STRUCTURES REQ'D



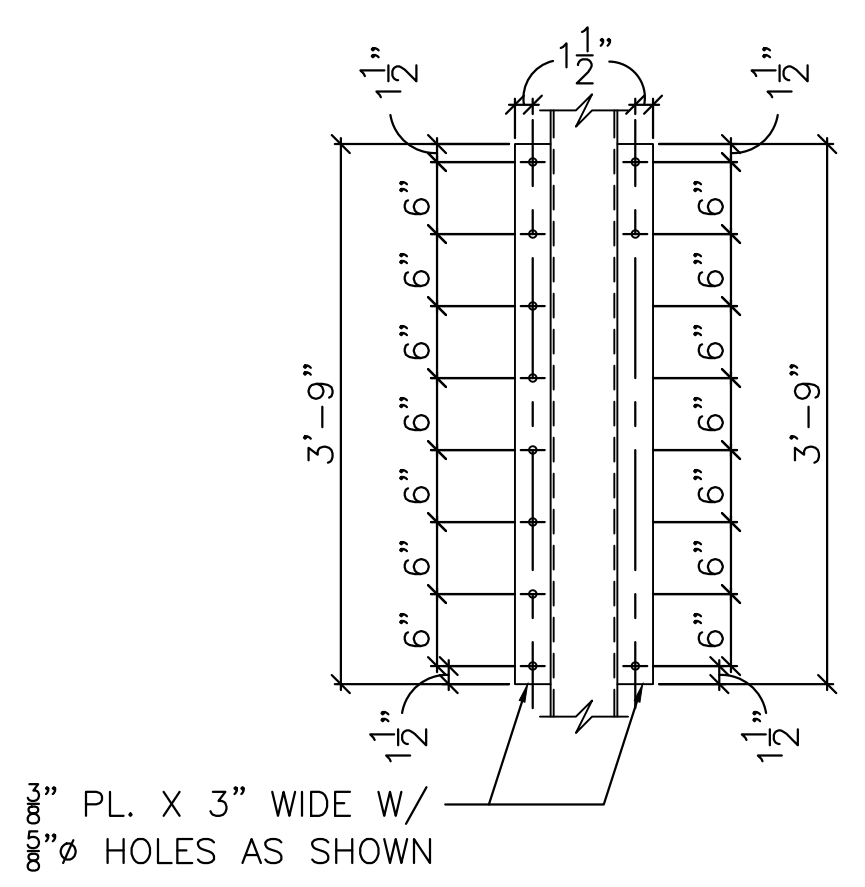
SECTION @ COLS.

SCALE: 1/2" = 1'-0"



1 MTG. PLATE DTL.

SCALE: 3/4" = 1'-0"



2 MTG. PLATE DTL.

SCALE: 3/4" = 1'-0"



PLOTTED: Tuesday, September 03, 2019 @ 11:21AM J:\CIVIL\04177\DWG\STRUCT\17TH STREET PLAZA S2.DWG