

STATE	PROJECT NO.	YEAR	SHEET NO.	TOTAL SHEETS
KANSAS	87 N-0662-01	2019	158	194



STREET IMPROVEMENTS FOR  
**17TH ST - BROADWAY TO I-135**  
 FROM BROADWAY TO I-135

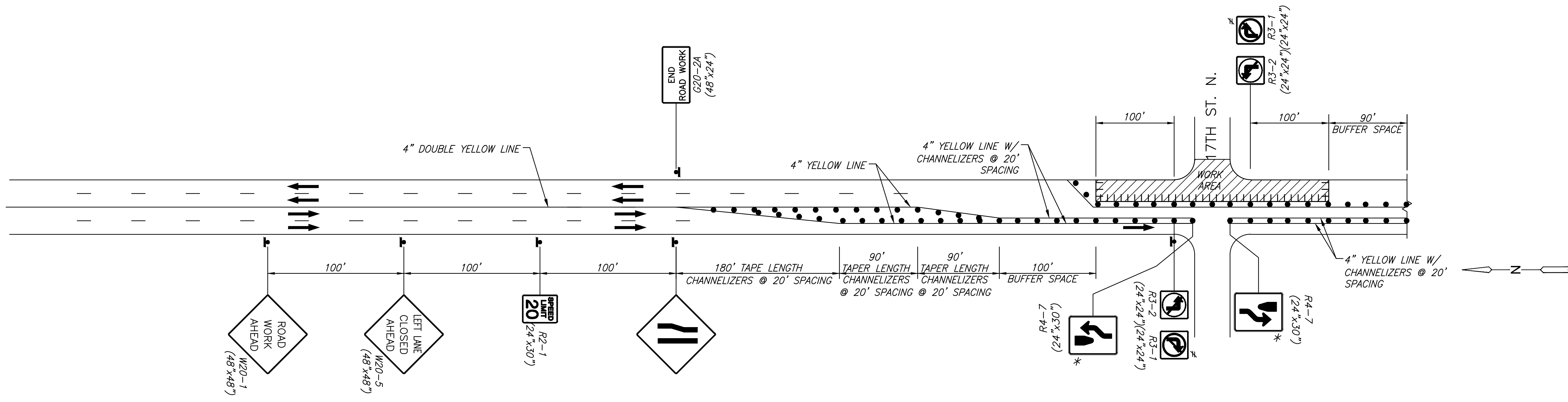
©2019 MKEC Engineering All Rights Reserved  
 These drawings and their contents, including, but not limited to, all concepts, designs, & lists are the exclusive property of MKEC Engineering (MKEC), and may not be used or reproduced in any way without the express consent of MKEC.

**BROADWAY TRAFFIC CONTROL PLAN PHASE 10 & 11**

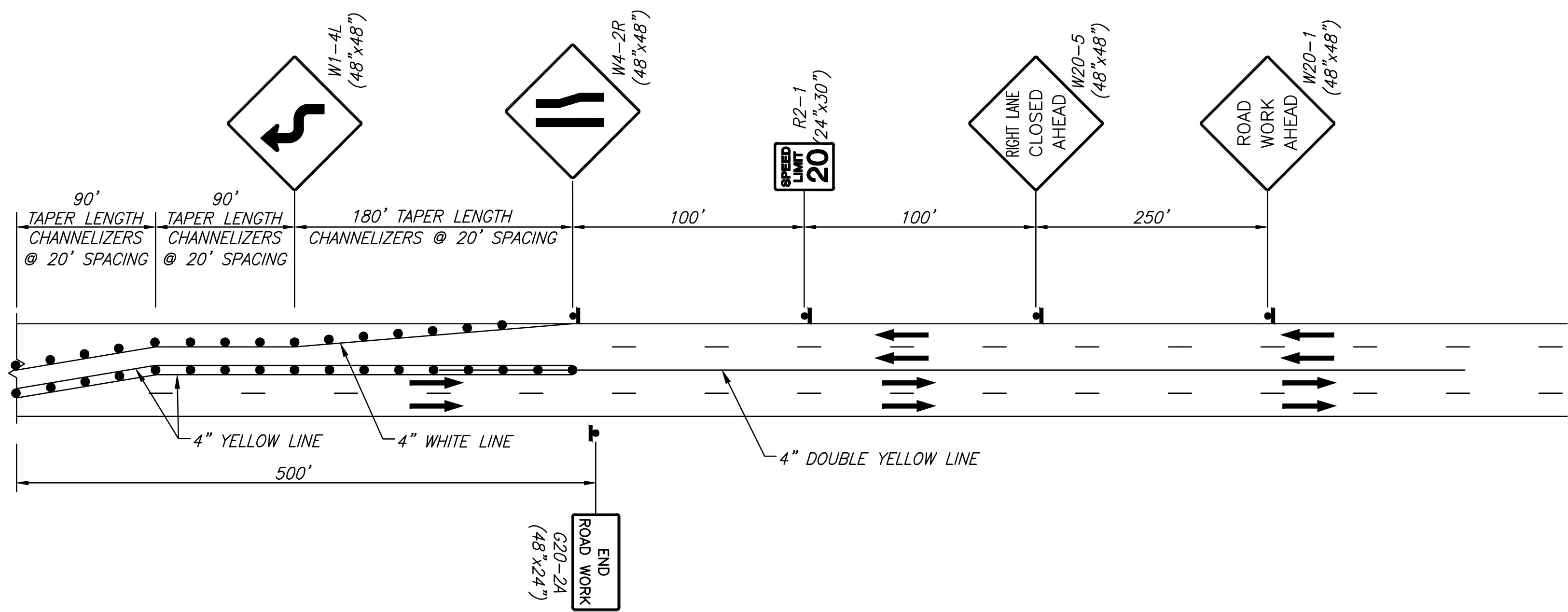
PROJECT NO.	87 N-0662-01
DATE	8/30/2019
SCALE	NA
DESIGNED	JRA
DRAWN	WJN
CHECKED	JRA

NO.	REVISION	DATE

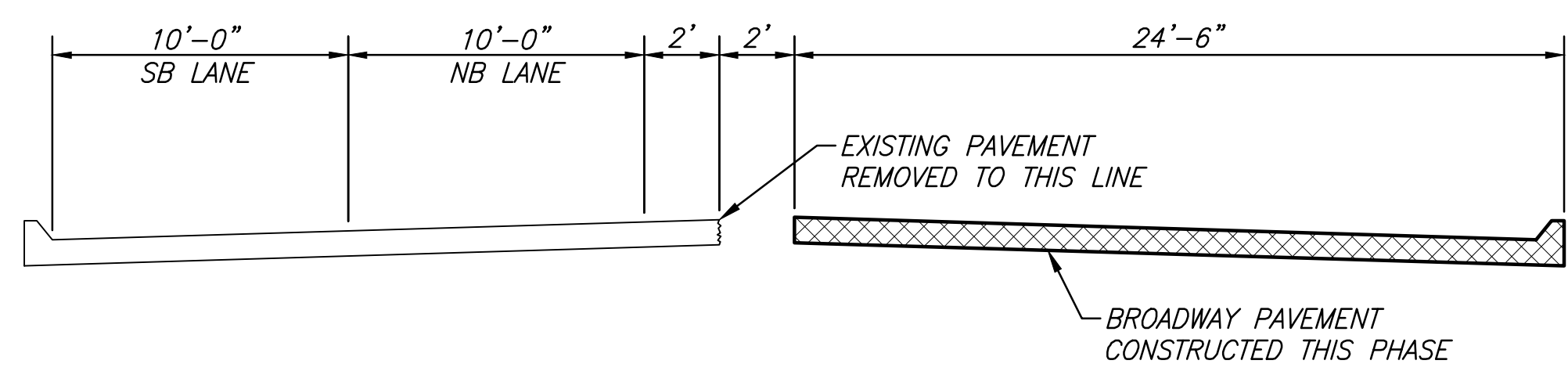
SHEET NO.  
158 OF 194



BROADWAY TRAFFIC CONTROL - PHASE 10 & 11



BROADWAY TRAFFIC CONTROL - PHASE 10 & 11



BROADWAY SECTION - PHASE 10 & 11

**LEGEND**

	Work Zone
	Traffic Flow
	Traffic Barricades
	Sign
	Mount on Traffic Barricades

PLOTTED: Tuesday, September 03, 2019 @ 04:35PM  
 J:\CIVIL\177\DWG\177\177-10-02.DWG